

# Webb Wheel Products Catalog



*Your wheel-end experts!*

**BRAKE DRUMS • ROTORS • HUBS • SPOKE WHEELS**



# TABLE OF CONTENTS

## Brake Drum Section

Brake Drum Types.....	3
Brake Drum Option Codes.....	3
Obsolete Brake Drums Having No Replacement.....	4
Brake Drum Data Sheet.....	5
Brake Drum Part Numbers Available in Pallet Quantity.....	6
Numerical Brake Drum Listing (By Webb Part Number).....	7-18
Progressive Brake Drum Listing by Size.....	19-29

## Disc Brake Rotor Section

Numerical Disc Brake Rotor Listing (By Webb Part Number).....	30-31
---	-------

## Cross Reference Section

*Interchange information is based on information available at time of publication; portions of which were obtained from unconfirmed sources. Therefore, accuracy of interchange information cannot be assured.*

DiscBrakeRotorCrossReferences/Interchanges.....	32-33
Brake Drum Cross References/Interchanges.....	34-79

Manufacturer.....	Page No.	Manufacturer.....	Page No.	Manufacturer.....	Page No.
ArvinMeritor/Dayton.....	34-41	Freightliner..... See Daimler.....	44	New Life.....	70
Aweco.....	41	Fruehauf.....	50	Nova Bus.....	70
Balkamp.. See Napa/Balkamp..	66-68	GMC... See Chevrolet/GMC... 41-43		NWRA.....	70-75
Bluebird.....	41	Gunite.....	50-57	Orion.....	75
Budd... See Motor Wheel/Budd... 64-66		Hayes.. See Motor Wheel/Budd.. 64-66		Oshkosh.....	75
Chevrolet/GMC.....	41-43	Hendrickson.....	57	Peterbilt.....	75
Conmet.....	43-44	International... See Navistar... 68-70		Reyco.... See KIC/Reyco.... 57-61	
Crane Carrier.....	44	Kenworth.....	57	Rockwell.. See ArvinMeritor... 34-41	
Daimler.....	44	KIC/Reyco.....	57-61	Tech Link.....	75-76
Dana.....	44	M.A.N. Bus.....	61	Thomas Bus.....	76
Dayton.. See ArvinMeritor/Dayton.. 34-41		Mack.....	61-63	Trailmobile.....	76
Dexter.....	44	Manac.....	63	Utility.....	76
Durametal.....	44-47	MCI.....	63-64	Vanhool.....	76
Eagle.....	47	Mercedes.....	64	Volvo.....	76-78
Eaton.....	47-48	Metaneide.....	64	Wagner.....	78-79
Erie.....	48	Motor Wheel/Budd.....	64-66	Walther EMC.....	79
Euclid.....	48	Napa/Balkamp.....	66-68	Western Star.....	79
Flxible.....	48	Navistar/International.....	68-70		
Ford.....	48-50	Neoplan.....	70		

Brake Drum Maximum Wear Diameter.....	80-81
Brake Drum and Rotor Service Information.....	82-93

## Hub & Spoke Wheel Section

Obsolete Hubs & Spoke Wheels.....	94-95
Hub Axle Groups.....	96
Hub Numerical Listing.....	97-102
Aluminum Hub Numerical Listing.....	103
Spoke Wheel Numerical Listing.....	104

## Components Section

Components Listing.....	105-110
Warranty.....	111

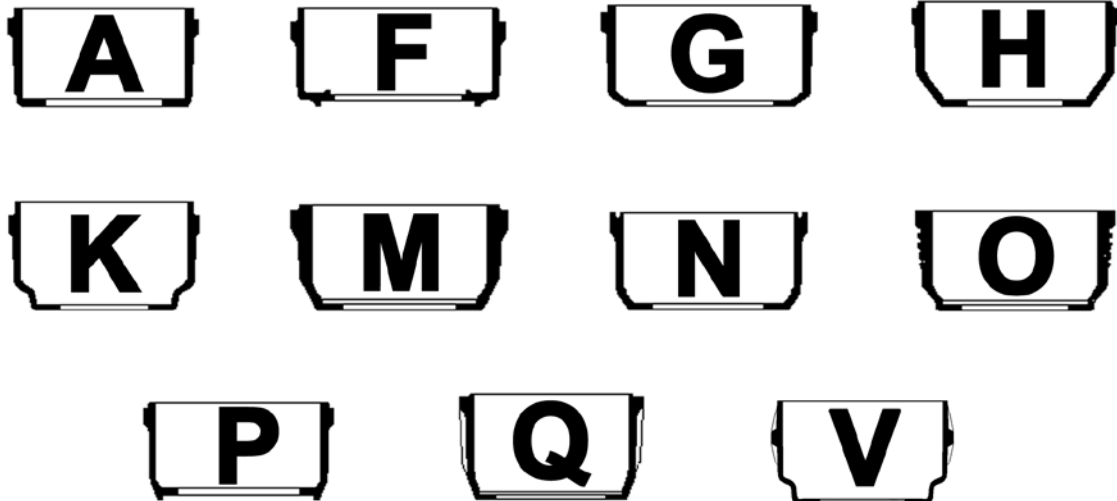
Webb Wheel Products, Inc. reserves the right to revise, discontinue or change the specifications of any part number listed.

WEBB® is a registered trademark of Webb Wheel Products, Inc.

# BRAKE DRUM OPTIONS



## BRAKE DRUM TYPES



---

## BRAKE DRUM CODES

The following codes indicate options that are available on our brake drums. The standard code on our brake drums is “F”. When ordering, change the “F” code to any of the codes when the option shown is required.

*NOTE: Some brake drums are furnished “Balanced Only” as standard (“F” code is not available), in the case of truck and some trailer brake drums. These brake drums are already coded “B” in the catalog. When ordering, change the “B” code to any of these codes where balancing is included as a part of the option when the option shown is required.*

### CODES:

B=Balanced

BW=Balanced+Wear Indicator

C=Special Drilling+Balanced

Special Drilling covers the drilling and tapping of holes for Anti-Skid, Speedometers, Noise Dampeners etc. that are not drilled and tapped as standard.

D=Undersize+Balanced

F=Standard Finished

H=Special Hardness

J=Special Hardness+Balanced

U=Undersized

Z=Oversize+Balanced

---

Installation, Service and Safety Instructions are available at no cost by contacting our Sales Department at:

WEBB WHEEL PRODUCTS, INC.

Website: [www.webbwheel.com](http://www.webbwheel.com)

Do not attempt to install or repair hubs, wheels, brake drums or rotors unless you have read and understand the instructions.



## OBSOLETE BRAKE DRUMS HAVING NO REPLACEMENT

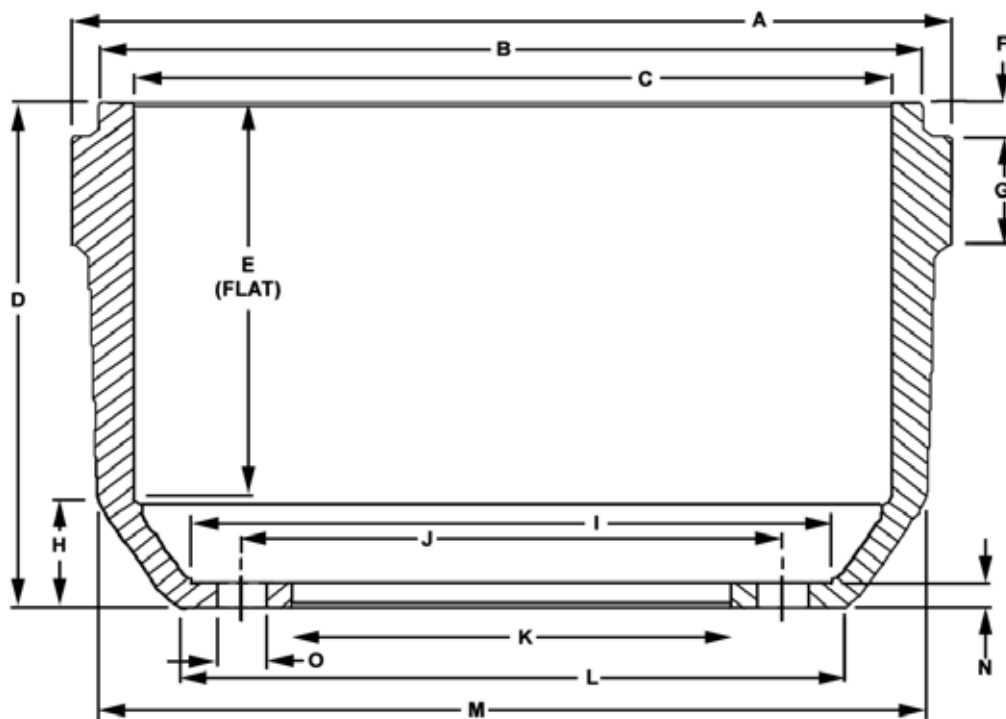
61503F	61860F	63417F	64117M	64474F	66241F	67547F
61516F	61863F	63418F	64119D	64479F	66256F	67599F
61517F	61864F	63419F	64130B	64480F	66258F	67707B
61518B	61870F	63420F	64131F	64482F	66285F	68001F
61542F	61952F	63422F	64215F	64484F	66367F	68037F
61544F	61953F	63423F	64217F	64485F	66416F	68416F
61545F	61954F	63424F	64401F	64486F	66517F	68518F
61547F	61955F	63425F	64402F	64487F	66519F	68665F
61549F	61957F	63428F	64406F	64488F	66547F	68710F
61555F	61980F	63429F	64407F	64490F	66580F	68735F
61564F	62027F	63430F	64409F	64492F	66627F	68736F
61572F	62055F	63432F	64410F	64493F	66662B	68801F
61573B	62057F	63435F	64412F	64494F	66664F	68821F
61575F	62071F	63437F	64415F	64496F	66667B	68830B
61578B	62072F	63625F	64416F	64497F	66669F	68831F
61579F	62074F	63629F	64418F	64498F	66683F	68841F
61580F	62092F	63632F	64419F	64566F	66684F	68847F
61581F	62119F	63633F	64420F	65154F	66694F	68849F
61583F	62142F	63636F	64421F	65155B	66786F	68862F
61589F	62292F	63639F	64422F	65156B	66810F	68867F
61590F	62314F	63640F	64423F	65159B	66818F	68872B
61597F	62315F	63643F	64424F	65168B	66823F	68878F
61598F	62385F	63645F	64427F	65171F	66824F	68879F
61602F	62435F	63652F	64428F	65197B	66825B	68885F
61604F	62437F	63653F	64429F	65246F	66828F	68888F
61605F	62439F	63656F	64431F	65250F	66829F	68894F
61610F	62451F	64000F	64433F	65474F	66835F	68896F
61618F	62562F	64001F	64434F	65476F	66842F	68898F
61622F	62573F	64006F	64435F	65511B	66844B	68902F
61624F	62585F	64015U	64436F	65515B	66847F	68909F
61625F	62634F	64021F	64437F	65518F	66848F	68910F
61626F	62699F	64031F	64438F	65540B	66858B	68911F
61627F	62755F	64033F	64440F	65593F	66860F	68916F
61628F	62928F	64040U	64441F	65652B	66861F	68917F
61651F	62989F	64042B	64442F	65758F	66868F	68922F
61655F	63152F	64048U	64443F	65829B	66876F	68923F
61659F	63163F	64059F	64446F	65831B	66879F	68924F
61665F	63213F	64062F	64448F	65835B	66881B	68926F
61722F	63214F	64069F	64450F	66036F	66882F	68928F
61728F	63236F	64072F	64455F	66066F	66885F	68941F
61774F	63240F	64078F	64456F	66076F	66887B	68948F
61775F	63241F	64082F	64457F	66077F	66891F	68950F
61777F	63258F	64089U	64459F	66086F	66897B	68955F
61785F	63279F	64091F	64460F	66095F	66898F	68960F
61786F	63290F	64102F	64461F	66141B	67128B	68962F
61821F	63406F	64106F	64463F	66200F	67397B	68982F
61831F	63411F	64113U	64465F	66201F	67399B	68983F
61841F	63412F	64115D	64469F	66202F	67442B	68995F
61852F	63415F	64115U	64471F	66221F	67517F	69571B
61857F	63416F	64116F	64473F	66231F	67519F	69877B

## BRAKE DRUM DATA SHEET

When selecting a Webb replacement drum, the manufacturer's name and part number is helpful. If this information is not available, a replacement drum can be selected by comparing dimensions. A drawing is shown below, and at the beginning of the Progressive Section, which indicates the dimensions required to determine the existence of a replacement drum. If all of the dimensions shown are not available, we must have at least dimensions C, D, E, J, K and O to make a selection.

Information required for drums not listed in this catalog:

1. Wheel or Hub Number \_\_\_\_\_
2. Make and Number of Axle \_\_\_\_\_
3. Manufacturer's Brake Drum Number \_\_\_\_\_
4. Drum Type (See Page 3) \_\_\_\_\_
5. Actual Brake Drum Dimensions (See Figure Below) \_\_\_\_\_



- |  |                                |
|--|--------------------------------|
| A. Overall Diameter of Drum                            | I. Inside Finished Diameter    |
| B. Dust Shield Recess Diameter, If Applicable          | J. Bolt Circle Diameter        |
| C. Brake Surface Diameter                              | K. Pilot Diameter              |
| D. Overall Depth                                       | L. Outside Finished Diameter   |
| E. Brake Surface Flat                                  | M. Diameter at Taper           |
| F. Depth of Dust Shield Recess                         | N. Backplate Thickness         |
| G. Squeealer Band Thickness                            | O. Bolt Holes: Number and Size |
| H. Distance from Outside of Backface to Start of Taper |                                |



**BRAKE DRUM PART NUMBERS  
AVAILABLE IN PALLET PROGRAM**

<b>Commercial Highway Drums</b>					
<b>Part Number</b>	<b>Quantity Per Pallet</b>	<b>Part Number</b>	<b>Quantity Per Pallet</b>	<b>Part Number</b>	<b>Quantity Per Pallet</b>
60876F20	20	65545B20	20	66873B20	20
61527B20	20	65547B20	20	66873F20	20
61528B20	20	65548B20	20	66875F20	20
61988B16	16	65600B20	20	66884B20	20
61991F12	12	65600C20	20	66884F20	20
62200F20	20	65670B20	20	66893F20	20
62997F20	20	65710B20	20	66895B20	20
63680F32	32	66353B20	20	67518F20	20
64015B16	16	66353F20	20	68730F20	20
64050B16	16	66364B20	20	68897F20	20
64051B16	16	66366B20	20	68981B20	20
64053B16	16	66800B20	20	77528B20	20
64115B16	16	66800F20	20	77710B20	20
64115C16	16	66807B20	20	77800BW20	20
64115J16	16	66808B20	20	77854BW20	20
64117B20	20	66809B20	20	77864BW20	20
64117J20	20	66814B16	16		
64119B20	20	66834F16	16		
64125B16	16	66854B20	20		
65119J20	20	66854F20	20		
65152B20	20	66855B20	20		
65161B20	20	66864B20	20		
65169B20	20	66864F20	20		



## BRAKE DRUM NUMERICAL SECTION

Drum Number	Weight	Type	Mount	Backface Thickness	Brake Surface Diameter	Overall Depth	Brake Surface Flat	Pilot Diameter	Bolt Circle Diameter	Bolt Holes		Special Information
										No.	Size	
60660B	OBSOLETE - Use 65545F											
60876B	107	K	O	0.56	16.50	10.75	7.50	9.44	11.25	10	0.81	
60876F	108	K	O	0.56	16.50	10.75	7.50	9.44	11.25	10	0.81	*See footer.
61510B	91	K	O	0.50	15.00	9.75	7.52	8.78	11.25	10	1.00	
61511F	73	K	O	0.50	15.00	8.02	4.32	9.00	11.25	10	1.31	
61526F**	69	K	I	0.44	15.00	7.00	5.36	9.37	11.25	10	0.81	
61527B	70	K	O	0.50	15.00	8.86	4.78	8.78	11.25	10	1.00	*See footer.
61528B	70	K	O	0.50	15.00	8.86	4.78	8.78	11.25	10	1.31	*See footer.
61529B	70	H	O	0.50	15.00	8.86	4.78	8.75	11.25	10	1.31	
61529F	70	H	O	0.50	15.00	8.86	4.78	8.75	11.25	10	1.31	
61536F	80	K	I	0.50	15.00	8.54	6.41	6.25	8.75	6	0.84	
61548F	93	H	I	0.50	15.00	9.44	7.50	9.75	11.25	5	0.66	
61554F	67	G	I	0.50	15.00	7.56	5.50	9.50	11.25	10	0.81	
61566F	70	A	I	0.50	15.00	7.06	6.38	9.44	11.00	5/6	0.66	
61567B	97	K	O	0.50	15.00	10.41	7.57	8.78	11.25	10	1.00	
61567F	97	K	O	0.50	15.00	10.41	7.57	8.78	11.25	10	1.00	
61569F	OBSOLETE - Use 61599F**											
61570F	OBSOLETE - Use 61571F											
61571F	106	K	O	0.50	15.00	10.59	7.75	8.53	11.25	10	0.81	
61574F	98	K	O	0.50	15.00	10.09	7.25	8.53	11.25	10	0.81	
61576B	105	K	O	0.50	15.00	10.59	7.75	9.00	10.83	8	1.00	
61576F	105	K	O	0.50	15.00	10.59	7.75	9.00	10.83	8	1.00	
61577B	104	K	O	0.50	15.00	10.59	7.75	8.78	11.25	10	1.00	
61577F	104	K	O	0.50	15.00	10.59	7.75	8.78	11.25	10	1.00	
61586F	101	K	O	0.44	15.00	10.93	7.50	6.44	8.75	6	0.81	
61591F	102	K	O	0.50	15.00	10.38	7.56	8.53	11.25	10	0.81	For Girling Brakes.
61595F**	88	G	I	0.50	15.00	8.12	7.32	9.50	11.25	5/6	0.78	
61599F**	87	G	I	0.50	15.00	8.38	7.19	11.00	12.50	5/6	0.66	
61600B**	86	G	I	0.50	15.00	8.38	7.19	11.25	12.75	5/6	0.78	
61601F	82	A	I	0.50	15.00	7.38	6.50	11.25	12.75	5/6	0.66	
61606F**	88	G	I	0.50	15.00	8.62	7.44	11.00	12.50	5/6	0.66	
61609F	OBSOLETE - Use 61600B**											
61612F**	84	G	I	0.50	15.00	8.16	6.97	11.00	12.50	5/6	0.66	
61721F	OBSOLETE - Use 61727F											
61723F	OBSOLETE - Use 61733F											
61724F	OBSOLETE - Use 62240F											
61725F	OBSOLETE - Use 61730F											
61727F**	111	H	I	0.50	16.50	8.75	7.50	11.00	12.50	5/6	0.66	
61729F	OBSOLETE - Use 62240F											
61730F	98	H	I	0.50	16.50	8.78	7.41	11.25	12.75	5	0.78	
										6	0.66	
61731F	123	H	I	0.56	16.50	8.44	7.24	11.25	12.75	5/6	0.78	

Mount I=Inboard, O=Outboard

See Page 4 for Obsolete with No Replacement Brake Drums.

\*Available for purchase through the pallet program. See Page 6 for pallet part numbers.

\*\*Will become obsolete when current inventory is depleted. Call for availability - if purchased, parts are non-returnable.



## BRAKE DRUM NUMERICAL SECTION

Drum Number	Weight	Type	Mount	Backface Thickness	Brake Surface Diameter	Overall Depth	Brake Surface Flat	Pilot Diameter	Bolt Circle Diameter	Bolt Holes		Special Information
										No.	Size	
61733F	134	H	I	0.56	16.50	8.88	7.62	11.00	12.75	6	0.66	
61778F	OBSOLETE - Use 61780F											
61780F	108	H	I	0.50	16.50	8.50	7.40	11.00	12.50	5/6	0.66	
61784F	OBSOLETE - Use 68981F											
61787F	OBSOLETE - Use 68897F											
61788F	134	A	I	0.56	18.00	8.24	7.38	11.00	12.75	6	0.66	
61791F	107	A	I	0.50	16.50	8.50	7.32	8.66	11.25	10	0.81	
61792F	OBSOLETE - Use 61780F											
61850F	135	H	I	0.56	18.00	8.75	7.50	9.00	13.19	10	1.06	
61853F	126	H	I	0.56	18.00	8.50	7.25	11.25	12.75	6	0.78	
61854F	134	H	I	0.56	18.00	8.75	7.50	11.25	12.75	6	0.66	
61855F	134	H	I	0.56	18.00	8.75	7.50	11.25	12.75	6	0.78	
61856F	138	H	I	0.56	18.00	8.75	7.50	9.50	11.25	6	0.66	
61859F	137	H	I	0.56	18.00	8.75	7.50	8.66	11.25	10	0.81	
61862F	135	H	I	0.56	18.00	8.75	7.50	9.00	11.25	10	1.06	
61870B	147	K	O	0.62	18.00	10.37	7.38	11.25	13.19	10	1.19	
61950B	77	K	O	0.50	15.00	9.84	6.64	8.78	11.25	10	1.00	Approved for 19.5 disc wheels
61951B	72	K	O	0.50	15.00	9.46	6.26	8.78	11.25	10	1.00	Approved for 19.5 disc wheels
61958B	78	K	O	0.50	15.00	9.84	6.64	9.00	10.83	8	1.00	Approved for 19.5 disc wheels
61959B	77	K	O	0.50	15.00	9.84	6.64	8.78	11.25	10	1.09	
61986F	OBSOLETE - Use 61988F											
61987F	OBSOLETE - Use 61989F											
61988B	110	K	O	0.50	15.00	11.59	9.21	8.78	11.25	10	1.00	Approved for 19.5 disc wheels
61988F	112	K	O	0.50	15.00	11.59	9.21	8.78	11.25	10	1.00	Approved for 19.5 disc wheels
61989B	105	K	O	0.50	15.00	11.59	9.21	9.00	10.83	8	1.00	Approved for 19.5 disc wheels
61989F	105	K	O	0.50	15.00	11.59	9.21	9.00	10.83	8	1.00	Approved for 19.5 disc wheels
61990F	OBSOLETE - Use 61991F											
61991B	118	K	O	0.50	15.00	11.75	9.22	8.78	11.25	10	1.00	Approved for 19.5 disc wheels
61991F	118	K	O	0.50	15.00	11.75	9.22	8.78	11.25	10	1.00	Approved for 19.5 disc wheels
61992F	118	K	O	0.50	15.00	11.75	9.22	8.78	11.25	10	1.09	Approved for 19.5 disc wheels
61998F	OBSOLETE - Use 61999F											
61999F	118	K	O	0.50	15.00	11.75	9.22	9.00	10.83	8	1.00	Approved for 19.5 disc wheels
62115B	88	G	I	0.56	16.50	6.69	5.41	10.00	12.75	5/6	0.78	
62116F	OBSOLETE - Use 62117F											
62117F	90	A	I	0.56	16.50	6.41	5.33	10.00	12.75	5/6	0.78	

Mount I=Inboard, O=Outboard

See Page 4 for Obsolete with No Replacement Brake Drums.

\*Available for purchase through the pallet program. See Page 6 for pallet part numbers.

\*\*Will become obsolete when current inventory is depleted. Call for availability - if purchased, parts are non-returnable.





## BRAKE DRUM NUMERICAL SECTION

Drum Number	Weight	Type	Mount	Backface Thickness	Brake Surface Diameter	Overall Depth	Brake Surface Flat	Pilot Diameter	Bolt Circle Diameter	Bolt Holes		Special Information
										No.	Size	
62199F	88	A	I	0.44	16.50	8.31	7.62	13.50	15.00	10	0.53	
62200F	104	H	I	0.50	16.50	9.50	7.38	9.44	11.25	10	0.81	*See footer.
62240F	98	G	I	0.50	16.50	8.78	7.41	11.25	12.75	5/6	0.78	
62358F	54	A	I	0.44	12.25	7.44	6.31	8.50	10.00	6	0.66	
62600F	OBSOLETE - Use 61600B**											
62670B	113	H	O	0.62	16.50	9.69	7.31	8.78	11.25	10	1.09	
62671B	113	H	O	0.62	16.50	9.69	7.31	8.78	11.25	10	1.31	
62671F	113	H	O	0.62	16.50	9.69	7.31	8.78	11.25	10	1.31	
62997B	96	G	I	0.56	16.50	8.69	7.63	10.50	12.75	5/6	0.78	
62997F	97	G	I	0.56	16.50	8.69	7.63	10.50	12.75	5/6	0.78	*See footer.
62998F	OBSOLETE - Use 62997F											
63030B	OBSOLETE - Use 63035B											
63031B	114	G	I	0.56	16.50	8.40	7.40	10.50	12.75	5	0.78	
63032F	105	G	I	0.56	16.50	8.23	7.23	11.25	12.75	5/6	0.78	
63035F	96	H	I	0.56	15.00	8.50	7.50	10.50	12.75	5/6	0.78	
63294F	62	G	I	0.50	15.00	5.88	4.94	10.00	12.75	5/6	0.78	
63410F	133	G	I	0.50	16.50	11.06	10.12	9.44	11.00	5	0.78	
										6	0.66	
63427F	84	G	I	0.56	16.50	6.50	5.56	9.00	11.25	5	0.78	
63436F	80	G	I	0.56	16.50	6.25	5.31	9.18	11.25	5/6	0.66	
63447F	79	G	I	0.56	16.50	6.25	5.31	9.44	11.00	5	0.78	
										6	0.66	
63617F	73	A	I	0.44	12.25	9.07	8.00	8.50	10.00	6	0.66	
63630F	71	H	I	0.50	12.25	8.59	6.25	7.12	8.75	10	0.81	
63631F	78	H	I	0.50	12.25	10.47	8.12	7.12	8.75	10	0.81	
63634F	71	H	I	0.50	12.25	8.59	6.25	7.12	8.75	6	0.81	
63635F	78	H	I	0.50	12.25	10.47	8.12	7.12	8.75	6	0.81	
63637F	79	G	I	0.44	12.25	9.06	7.81	7.00	8.25	6	0.53	
										6	0.66	
63647F	79	A	I	0.44	12.25	9.07	8.00	8.50	10.00	6	0.66	
63650F	79	A	I	0.56	12.25	9.12	8.40	7.25	8.75	6	0.81	
63654F	74	A	I	0.56	12.25	8.63	7.91	7.12	8.75	6	0.81	
63658F	74	A	I	0.56	12.25	8.63	7.91	7.12	8.75	10	0.81	
63680F	93	A	O	0.50	12.25	11.22	9.95	9.00	10.83	8	1.00	*See footer.
63688F	74	H	I	0.50	12.25	10.16	7.81	7.12	8.75	10	0.81	
63822F	OBSOLETE - Use 63647F											
64002F	OBSOLETE - Use 64004B											
64003F	OBSOLETE - Use 64113B											
64004B	88	Q	O	0.50	14.50	8.00	5.19	12.75	11.25	10	1.31	9.44 Hub Bore Vert. Ribbed *See footer.
64004F	OBSOLETE - Use 64004B											
64007F	OBSOLETE - Use 64015B											

Mount I=Inboard, O=Outboard

See Page 4 for Obsolete with No Replacement Brake Drums.

\*Available for purchase through the pallet program. See Page 6 for pallet part numbers.

\*\*Will become obsolete when current inventory is depleted. Call for availability - if purchased, parts are non-returnable.



## BRAKE DRUM NUMERICAL SECTION

Drum Number	Weight	Type	Mount	Backface Thickness	Brake Surface Diameter	Overall Depth	Brake Surface Flat	Pilot Diameter	Bolt Circle Diameter	Bolt Holes		Special Information
										No.	Size	
64009B	145	Q	O	0.50	14.50	11.50	8.31	13.00	11.25	10	1.31	9.44 Hub Bore, Vert. Ribbed
64009F	OBSOLETE - Use 64009B											
64015B	172	M	O	0.50	14.50	12.81	10.50	12.75	11.25	10	1.31	9.44 Hub Bore. *See footer.
64015F	OBSOLETE - Use 64015B											
64016F	37	A	I	0.41	15.00	3.94	3.45	10.00	11.25	5	0.53	
64017F	OBSOLETE - Use 64117B											
64018F	38	A	I	0.41	15.00	4.14	3.45	10.00	11.00	5	0.53	
64019F	OBSOLETE - Use 64112B											
64026F	145	G	O	0.62	16.14	10.83	9.13	11.10	13.19	10	0.94	
64028F	73	P	I	0.50	15.00	7.94	6.69	14.25	12.75	5	0.66	11.25 Hub Bore
64035F	131	H	O	0.62	16.50	9.19	5.62	9.00	11.25	10	1.31	
64036F	129	Q	O	0.50	15.00	8.75	6.55	12.75	11.25	10	1.31	9.44 Hub Bore, Vert. Ribbed, Notched
64037F	OBSOLETE - Use 64041F											
64038F	177	Q	O	0.50	15.00	12.38	10.15	12.75	11.25	10	1.31	9.44 Hub Bore, Vert. Ribbed, Notched
64039F	132	M	O	0.62	16.14	11.81	9.12	14.53	13.19	10	0.94	*See footer.
64040B	96	M	O	0.62	16.14	8.38	6.56	14.53	13.19	10	0.94	11.73 Hub Bore. *See footer.
64040F	OBSOLETE - Use 64040B											
64040Z	96	M	O	0.62	16.21	8.38	6.56	14.53	13.19	10	0.94	11.73 Hub Bore.
64041F	148	H	O	0.50	16.50	11.19	8.88	8.53	11.25	10	0.81	Use with 24.5 Disc Wheel Only
64043F	OBSOLETE - Use 64113B											
64044F	94	G	O	0.50	15.00	9.10	8.32	11.06	13.19	10	1.09	
64045B	139	H	O	0.50	16.50	11.44	8.50	8.78	11.25	10	0.81	Notched
64046B	119	M	O	0.50	15.14	8.65	6.50	12.75	11.25	10	1.31	9.44 Hub Bore, Notched
64046F	OBSOLETE - Use 64046B											
64046H	119	M	O	0.50	15.14	8.65	6.50	12.75	11.25	10	1.31	9.44 Hub Bore, Notched
64047B	139	H	O	0.50	16.50	11.44	8.50	8.53	11.25	10	0.81	Notched
64047F	139	H	O	0.50	16.50	11.44	8.50	8.53	11.25	10	0.81	Notched
64048B	191	M	O	0.50	15.14	12.38	10.25	12.75	11.25	10	1.31	9.44 Hub Bore, Notched *See footer.
64048F	OBSOLETE - Use 64048B											
64049B	96	G	O	0.55	15.00	9.15	7.40	11.22	13.19	10	0.94	
64049F	OBSOLETE - Use 64049B											
64050B	172	K	O	0.59	16.50	11.56	9.44	11.11	13.19	10	1.09	*See footer.
64051B	171	K	O	0.59	16.50	11.56	9.44	11.25	13.19	10	1.09	*See footer.
64051F	OBSOLETE - Use 64051B											

Mount I=Inboard, O=Outboard

See Page 4 for Obsolete with No Replacement Brake Drums.

\*Available for purchase through the pallet program. See Page 6 for pallet part numbers.

\*\*Will become obsolete when current inventory is depleted. Call for availability - if purchased, parts are non-returnable.



## BRAKE DRUM NUMERICAL SECTION

Drum Number	Weight	Type	Mount	Backface Thickness	Brake Surface Diameter	Overall Depth	Brake Surface Flat	Pilot Diameter	Bolt Circle Diameter	Bolt Holes		Special Information
										No.	Size	
64051H	OBSOLETE - Use 64051J											
64051J	171	K	O	0.59	16.50	11.56	9.44	11.25	13.19	10	1.09	*See footer.
64053B	160	K	O	0.59	16.50	11.28	9.16	11.25	13.19	10	1.09	*See footer.
64053F	OBSOLETE - Use 64053B											
64054B	OBSOLETE - Use 64053B											
64057F	146	H	O	0.50	16.50	11.19	8.88	9.00	11.25	10	1.31	
64060B	OBSOLETE - Use 64040B											
64065F	118	O	O	0.50	15.50	8.34	6.37	11.07	13.19	10	1.09	
64073B	136	H	O	0.50	14.50	11.79	8.50	12.75	11.25	10	1.31	9.44 Hub Bore
64073F	136	H	O	0.50	14.50	11.79	8.50	12.75	11.25	10	1.31	9.44 Hub Bore
64089B	133	M	O	0.62	16.14	11.81	9.12	14.41	13.19	5/10	0.94	11.73 Hub Bore. *See footer.
64089F	OBSOLETE - Use 64089B											
64089Z	133	M	O	0.62	16.21	11.81	9.12	14.41	13.19	10	0.94	11.73 Hub Bore.
64105F	83	N	I	0.50	15.00	8.50	6.50	9.75	11.25	5	0.66	
64112B	102	O	O	0.50	14.50	8.31	6.06	12.75	11.25	10	1.31	9.44 Hub Bore, Circum. Ribbed *See footer.
64112F	OBSOLETE - Use 64112B											
64113B	102	O	O	0.50	14.50	8.31	6.06	12.75	11.25	10	1.31	9.44 Hub Bore, Circum. Ribbed
64113F	OBSOLETE - Use 64113B											
64115B	179	O	O	0.50	14.50	12.81	10.50	12.75	11.25	10	1.31	9.44 Hub Bore, Circum. Ribbed. *See footer.
64115C	179	O	O	0.50	14.50	12.81	10.50	12.75	11.25	10	1.31	9.44 Hub Bore, Circum. Ribbed. *See footer.
64115F	OBSOLETE - Use 64115B											
64115J	179	O	O	0.50	14.50	12.81	10.50	12.75	11.25	10	1.31	9.44 Hub Bore, Circum. Ribbed. *See footer.
64117B	110	O	O	0.50	14.50	8.69	6.44	12.75	11.25	10	1.31	9.44 Hub Bore, Circum. Ribbed. *See footer.
64117F	OBSOLETE - Use 64117B											
64117J	110	O	O	0.50	14.50	8.69	6.44	12.75	11.25	10	1.31	9.44 Hub Bore, Circum. Ribbed. *See footer.
64118F	OBSOLETE - Use 64119B											
64119B	110	O	O	0.50	14.50	8.69	6.44	12.75	11.25	10	1.31	9.44 Hub Bore, Circum. Ribbed. *See footer.
64119F	OBSOLETE - Use 64119B											
64120F	OBSOLETE - Use 64119B											
64125B	166	F	O	0.56	16.50	12.35	9.86	8.78	11.25	10	1.00	*See footer.
64125F	166	F	O	0.56	16.50	12.35	9.86	8.78	11.25	10	1.00	
64403F	77	K	I	0.44	15.00	8.00	5.56	6.51	8.75	6	0.81	

Mount I=Inboard, O=Outboard

See Page 4 for Obsolete with No Replacement Brake Drums.

\*Available for purchase through the pallet program. See Page 6 for pallet part numbers.

\*\*Will become obsolete when current inventory is depleted. Call for availability - if purchased, parts are non-returnable.



## BRAKE DRUM NUMERICAL SECTION

Drum Number	Weight	Type	Mount	Backface Thickness	Brake Surface Diameter	Overall Depth	Brake Surface Flat	Pilot Diameter	Bolt Circle Diameter	Bolt Holes		Special Information
										No.	Size	
64404F	78	N	I	0.44	15.00	8.00	5.56	6.44	8.75	10	0.78	
64405F	78	N	I	0.44	15.00	8.00	5.56	6.44	8.75	6	0.81	
64408F**	77	H	I	0.50	15.00	7.25	5.53	6.25	8.75	6	0.81	
64413F	52	A	I	0.38	15.00	4.42	3.88	9.00	10.50	5	0.66	
64414F	64	G	I	0.50	15.00	5.55	4.44	9.19	11.25	5/6	0.66	
64417F	66	G	I	0.53	15.00	5.38	4.50	9.25	11.25	5	0.78	
64425F	31	H	I	0.36	14.00	4.00	2.94	4.61	5.5&6	6/6	0.53	
64426F	58	H	I	0.38	15.00	6.41	4.44	6.25	8.75	6	0.81	
64430F	43	K	I	0.38	14.00	7.00	3.00	7.12	8.75	6	0.81	
64432F	75	K	I	0.44	15.00	8.00	5.56	6.51	8.75	10	0.78	
64444F	60	G	I	0.50	15.00	5.55	4.44	9.19	11.25	5/6	0.78	
64445F	65	K	O	0.38	15.00	8.25	3.75	9.50	11.25	10	0.81	
64449F	65	K	O	0.44	15.00	8.06	3.75	7.12	8.75	6	0.81	
64453F	44	N	I	0.44	15.00	4.69	3.50	6.44	8.00	5	0.66	
64454F	73	H	O	0.44	15.00	8.53	4.50	8.75	11.25	10	0.81	
64464F	OBSOLETE - Use 64414F											
64466F	85	H	I	0.44	16.50	8.00	6.38	9.38	11.25	10	0.81	
64467F	85	H	I	0.44	16.50	8.00	6.38	9.44	11.25	10	0.81	
64468F	84	H	I	0.44	16.50	7.87	6.25	9.44	11.25	10	0.81	
64477F	59	G	I	0.50	15.00	5.28	4.32	6.44	8.00	5	0.66	
64478F	59	N	I	0.50	15.00	5.28	4.25	9.50	11.25	6	0.78	
64481F	72	H	O	0.50	15.00	7.84	4.44	8.66	11.25	10	1.31	
64483F	75	H	O	0.50	15.00	7.84	4.44	9.44	11.25	10	0.81	
64489F	72	H	O	0.50	15.00	7.84	4.44	8.78	11.25	10	1.31	
65004B	OBSOLETE - Use 64004B											
65004F	OBSOLETE - Use 64004B											
65119F	OBSOLETE - Use 65119J											
65119J	112	O	O	0.50	14.50	8.69	6.44	12.75	11.25	10	1.31	9.44 Hub Bore, Circum. Ribbed. *See footer.
65145B	110	F	O	0.62	15.00	9.49	6.18	8.78	11.25	10	1.00	
65147B	108	F	O	0.62	15.00	9.49	6.18	9.00	11.25	10	1.31	
65150B	OBSOLETE - Use 65157B											
65151B	92	K	O	0.50	16.50	9.37	5.45	8.78	11.25	10	1.31	
65152B	122	H	O	0.62	16.50	9.75	6.50	8.78	11.25	10	1.31	*See footer.
65153B	82	K	O	0.50	15.00	9.31	5.40	8.78	11.25	10	1.00	
65154B	82	K	O	0.50	15.00	9.31	5.40	8.78	11.25	10	1.31	
65157B	111	H	O	0.62	15.00	9.81	6.50	9.00	11.25	10	1.31	
65158B	92	K	O	0.50	16.50	9.37	5.45	8.78	11.25	10	1.00	
65161B*	116	H	O	0.62	16.50	9.38	6.38	8.78	11.25	10	1.31	
65162B	123	H	O	0.62	16.50	9.75	6.50	8.78	11.25	10	1.00	
65162F	123	H	O	0.62	16.50	9.75	6.50	8.78	11.25	10	1.00	
65163B	119	H	O	0.62	16.50	9.52	6.27	8.78	11.25	10	1.00	

Mount I=Inboard, O=Outboard

See Page 4 for Obsolete with No Replacement Brake Drums.

\*Available for purchase through the pallet program. See Page 6 for pallet part numbers.

\*\*Will become obsolete when current inventory is depleted. Call for availability - if purchased, parts are non-returnable.



## BRAKE DRUM NUMERICAL SECTION

Drum Number	Weight	Type	Mount	Backface Thickness	Brake Surface Diameter	Overall Depth	Brake Surface Flat	Pilot Diameter	Bolt Circle Diameter	Bolt Holes		Special Information
										No.	Size	
65163F	119	H	O	0.62	16.50	9.52	6.27	8.78	11.25	10	1.00	
65165B	116	H	O	0.62	16.50	9.38	6.38	8.74	11.25	10	1.31	
65166B	121	H	O	0.62	16.50	9.75	6.50	8.53	11.25	10	1.31	
65167B	122	H	O	0.62	16.50	9.75	6.50	9.00	11.25	10	1.31	
65169B	115	K	O	0.62	16.50	9.88	6.62	9.00	11.25	10	1.31	Notched *See footer
65170B	116	K	O	0.62	16.50	9.88	6.62	8.78	11.25	10	1.00	Notched
65172B	108	K	O	0.50	16.50	9.84	6.38	8.78	11.25	10	1.31	
65173B	114	H	O	0.62	16.50	9.25	6.25	8.66	11.25	10	1.00	
65174B	106	K	O	0.50	16.50	9.63	5.75	8.75	11.25	10	0.81	
65175B	102	K	O	0.62	16.50	9.38	5.68	9.00	11.25	10	1.31	Notched
65175F	102	K	O	0.62	16.50	9.38	5.68	9.00	11.25	10	1.31	Notched
65176B	118	K	O	0.50	16.50	10.13	6.87	8.78	11.25	10	1.00	Notched
65176F	118	K	O	0.50	16.50	10.13	6.87	8.78	11.25	10	1.00	Notched
65177B	110	K	O	0.50	16.50	9.63	5.93	8.78	11.25	10	1.00	Notched
65179B	109	K	O	0.50	16.50	9.84	6.38	8.78	11.25	10	1.00	
65181B	118	H	O	0.62	16.50	9.52	6.27	8.78	11.25	10	1.31	
65182B	118	H	O	0.62	16.50	9.52	6.27	8.78	11.25	10	1.31	
65183B	119	H	O	0.62	16.50	9.52	6.27	8.78	11.25	10	1.00	
65256B	91	G	I	0.50	15.00	7.44	6.38	11.25	12.75	6	0.78	
65257B	OBSOLETE - Use 65256B											
65266B	104	A	I	0.50	16.50	7.44	6.38	11.25	12.75	6	0.78	
65514B	68	G	I	0.50	15.00	5.84	4.50	9.25	11.25	5/6	0.78	
65516B	78	A	I	0.50	16.50	6.12	5.41	9.25	11.25	5/6	0.78	
65526B	81	A	I	0.50	16.50	6.30	5.59	9.25	11.25	5/6	0.78	Notched
65541B	80	H	O	0.62	15.00	8.76	4.50	9.00	11.25	10	1.31	
65542B	81	H	O	0.62	15.00	8.76	4.50	9.00	11.25	10	0.81	
65543B	80	H	O	0.50	15.00	9.04	4.75	9.00	10.83	8	1.00	
65545B	68	H	O	0.50	15.00	9.04	4.50	8.78	11.25	10	1.00	*See footer.
65546B	77	H	O	0.50	15.00	8.98	4.75	8.75	11.25	10	0.81	
65547B	82	H	O	0.62	15.00	8.76	4.50	8.78	11.25	10	1.31	*See footer.
65548B	78	H	O	0.50	15.00	9.04	4.50	8.78	11.25	10	1.31	*See footer.
65549B	81	H	O	0.50	15.00	9.04	4.50	9.00	11.25	10	1.31	
65550B	85	H	O	0.50	15.00	9.10	5.50	8.53	11.25	10	1.31	
65551B	81	H	O	0.50	15.00	9.10	5.50	9.00	11.25	10	1.31	
65554B	83	H	O	0.50	15.00	9.10	5.50	8.78	11.25	10	1.31	
65555B	81	M	O	0.50	15.00	9.04	4.50	8.78	11.25	10	1.00	
65565B	80	H	O	0.50	15.00	9.04	4.50	8.78	11.25	10	1.00	
65600B	116	K	O	0.50	16.50	9.52	6.38	8.78	11.25	10	1.31	*See footer.
65600C	116	K	O	0.50	16.50	9.52	6.38	8.78	11.25	10	1.31	*See footer.
65604B**	111	K	O	0.50	16.50	9.52	6.38	8.78	11.25	10	1.31	
65607B	117	K	O	0.50	16.50	9.52	6.38	8.78	11.25	10	1.00	
65609B	113	K	O	0.50	16.50	9.59	6.56	8.78	11.25	10	1.00	

Mount I=Inboard, O=Outboard

See Page 4 for Obsolete with No Replacement Brake Drums.

\*Available for purchase through the pallet program. See Page 6 for pallet part numbers.

\*\*Will become obsolete when current inventory is depleted. Call for availability - if purchased, parts are non-returnable.



## BRAKE DRUM NUMERICAL SECTION

Drum Number	Weight	Type	Mount	Backface Thickness	Brake Surface Diameter	Overall Depth	Brake Surface Flat	Pilot Diameter	Bolt Circle Diameter	Bolt Holes		Special Information
										No.	Size	
65650B	90	H	O	0.62	16.50	9.22	5.50	8.53	11.25	10	1.31	
65651B	90	H	O	0.62	16.50	9.22	5.50	9.00	11.25	10	1.31	
65654B	89	H	O	0.62	16.50	9.22	5.50	8.78	11.25	10	1.00	
65659B	85	K	O	0.50	16.50	9.14	5.45	8.78	11.25	10	1.00	
65670B	117	K	O	0.50	16.50	10.82	7.50	8.78	11.25	10	1.00	Oil Groove. *See footer.
65710B	96	K	O	0.50	16.50	9.04	5.95	8.78	11.25	10	1.31	*See footer.
65735F	75	K	O	0.44	15.00	8.02	5.50	6.25	8.75	6	0.81	
65739B	95	K	O	0.50	16.50	8.84	5.75	8.53	11.25	10	1.31	
65753B	88	H	O	0.44	15.75	8.56	6.04	8.53	11.25	10	0.81	
65757B	85	F	O	0.44	15.75	8.36	5.84	8.78	11.25	10	0.81	
66096F	100	H	I	0.50	16.50	9.06	6.94	9.44	11.25	10	0.81	
66250B	116	K	O	0.50	16.50	10.59	7.38	11.25	13.19	10	1.00	
66250F	116	K	O	0.50	16.50	10.59	7.38	11.25	13.19	10	1.00	
66251F	111	K	O	0.50	16.50	10.59	7.38	11.25	13.19	10	1.00	
66253B	OBSOLETE - Use 66251B											
66283F	112	G	O	0.88	16.50	9.50	7.50	11.05	13.19	10	1.03	
66350F	94	K	O	0.50	16.50	9.15	5.94	11.25	13.19	10	1.00	
66353B	110	K	O	0.50	16.50	11.18	7.44	8.78	11.25	10	1.00	*See footer.
66353F	110	K	O	0.50	16.50	11.18	7.44	8.78	11.25	10	1.00	*See footer.
66364B	106	K	O	0.50	16.50	9.44	6.55	11.25	13.19	10	1.00	*See footer.
66366B	108	K	O	0.50	16.50	9.65	6.62	11.25	13.19	10	1.00	*See footer.
66366F	OBSOLETE - Use 66366B											
66374B	108	K	O	0.50	16.50	9.65	6.62	11.25	13.19	10	1.00	*See footer.
66518F	OBSOLETE - Use 67518F											
66537F	OBSOLETE - Use 67537F											
66626B	113	K	O	0.50	16.50	10.31	7.56	11.06	13.19	10	1.09	
66626F	OBSOLETE - Use 66626B											
66660B	137	K	O	0.62	16.50	10.37	7.38	8.78	11.25	10	1.19	
66661B	136	K	O	0.50	16.50	10.37	7.46	8.78	11.25	10	1.00	For severe service.
66663B	128	K	O	0.50	16.50	10.25	7.38	11.25	13.19	10	1.00	
66665B	147	K	O	0.50	18.00	10.37	7.38	8.78	11.25	10	1.00	
66668F	125	H	O	0.62	16.50	10.37	7.38	8.78	11.25	10	1.19	
66669B	118	K	O	0.56	16.54	10.15	7.25	11.10	13.19	10	1.19	
66800B	119	K	O	0.56	16.50	11.10	8.61	8.78	11.25	10	1.00	*See footer.
66800F	119	K	O	0.56	16.50	11.10	8.61	8.78	11.25	10	1.00	*See footer.
66801B**	107	K	O	0.50	16.50	10.38	7.38	8.66	11.25	10	1.50	
66807B*	111	H	O	0.50	16.50	10.62	7.62	8.78	11.25	10	1.00	With windows
66808B*	119	H	O	0.56	16.50	11.10	8.71	8.78	11.25	10	1.00	With windows
66809B*	120	H	O	0.56	16.50	11.39	9.00	8.78	11.25	10	1.00	With windows
66811F	130	K	O	0.50	16.50	12.12	9.36	8.53	11.25	10	0.81	
66812B	160	K	O	0.50	16.50	13.38	10.89	8.53	11.25	10	0.81	Notched

Mount I=Inboard, O=Outboard

See Page 4 for Obsolete with No Replacement Brake Drums.

\*Available for purchase through the pallet program. See Page 6 for pallet part numbers.

\*\*Will become obsolete when current inventory is depleted. Call for availability - if purchased, parts are non-returnable.



## BRAKE DRUM NUMERICAL SECTION

Drum Number	Weight	Type	Mount	Backface Thickness	Brake Surface Diameter	Overall Depth	Brake Surface Flat	Pilot Diameter	Bolt Circle Diameter	Bolt Holes		Special Information
										No.	Size	
66812F	160	K	O	0.50	16.50	13.38	10.89	8.53	11.25	10	0.81	Notched
66814B	132	K	O	0.50	16.50	12.39	9.63	8.78	11.25	10	1.00	
66814F	132	K	O	0.50	16.50	12.39	9.63	8.78	11.25	10	1.00	
66815F	133	K	O	0.50	16.50	12.39	9.63	8.53	11.25	10	0.81	
66816F	136	K	O	0.50	16.50	12.39	9.63	9.00	10.83	8	1.00	
66817F	130	K	O	0.56	16.50	12.28	9.52	9.44	11.25	10	0.84	
66822F	158	K	O	0.50	16.50	13.38	10.89	9.00	11.25	10	1.31	Notched
66826B	116	K	O	0.50	16.50	10.19	7.38	8.78	11.25	10	1.00	Oil Groove
66826F	OBSOLETE - Use 66826B											
66827B	130	K	O	1.00	16.50	11.46	8.86	8.78	11.25	10	1.00	Special Back-plate Thickness w/Oil Groove
66830B	81	K	O	0.50	15.00	8.79	6.56	9.00	10.83	8	1.00	
66834F	129	K	O	0.50	16.50	11.99	9.23	8.78	11.25	10	1.00	
66843B	121	K	O	0.50	16.50	10.62	7.62	8.78	11.25	10	1.00	Oil Groove
66850B	98	K	O	0.50	16.55	10.00	7.50	8.78	11.25	10	1.00	
66852B	115	K	O	0.50	16.50	10.25	7.38	8.53	11.25	10	0.81	
66852F	115	K	O	0.50	16.50	10.25	7.38	8.53	11.25	10	0.81	
66853B	119	K	O	0.50	16.50	10.62	7.62	8.53	11.25	10	0.81	
66854B	120	K	O	0.56	16.50	11.46	9.12	8.78	11.25	10	1.00	Oil Groove. *See footer.
66854F	121	K	O	0.56	16.50	11.46	9.12	8.78	11.25	10	1.00	*See footer.
66855B	121	K	O	0.56	16.50	11.46	9.08	8.78	11.25	10	1.00	*See footer.
66857F	106	K	O	0.50	16.50	10.25	7.25	9.38	11.25	10	0.81	
66862B	108	K	O	0.50	16.50	10.25	7.44	8.53	11.25	10	1.31	
66862F	108	K	O	0.50	16.50	10.25	7.44	8.53	11.25	10	1.31	
66864B20	111	K	O	0.50	16.50	10.54	7.54	8.78	11.25	10	1.00	*See footer. Use 66884B for heavy duty applications.
66864F20	112	K	O	0.50	16.50	10.54	7.54	8.78	11.25	10	1.00	*See footer. Use 66884F for heavy duty applications.
66865B	108	K	O	0.50	16.50	10.31	7.50	9.00	11.25	10	0.81	
66866B	171	K	O	0.50	16.50	13.38	10.54	8.78	11.25	10	1.00	
66867B	106	K	O	0.50	16.50	10.35	7.54	8.78	11.25	10	1.00	Notched
66871B	169	K	O	0.50	16.50	13.19	10.50	8.78	11.25	10	1.00	
66871F	OBSOLETE - Use 66871B											
66873B	108	K	O	0.50	16.50	10.30	7.30	8.78	11.25	10	1.00	
66873F	110	K	O	0.50	16.50	10.30	7.30	8.78	11.25	10	1.00	*See footer.
66874B	OBSOLETE - Use 66864B											
66875B	110	K	O	0.50	16.50	10.62	7.81	9.00	10.83	8	1.00	
66875F	111	K	O	0.50	16.50	10.62	7.81	9.00	10.83	8	1.00	*See footer.
66878B	104	K	O	0.50	16.50	10.25	7.38	9.00	10.83	8	1.00	

Mount I=Inboard, O=Outboard

See Page 4 for Obsolete with No Replacement Brake Drums.

\*Available for purchase through the pallet program. See Page 6 for pallet part numbers.

\*\*Will become obsolete when current inventory is depleted. Call for availability - if purchased, parts are non-returnable.





## BRAKE DRUM NUMERICAL SECTION

Drum Number	Weight	Type	Mount	Backface Thickness	Brake Surface Diameter	Overall Depth	Brake Surface Flat	Pilot Diameter	Bolt Circle Diameter	Bolt Holes		Special Information
										No.	Size	
66878F	104	K	O	0.50	16.50	10.25	7.38	9.00	10.83	8	1.00	
66880B	OBSOLETE - Use 66892B											
66883B	107	K	O	0.50	16.50	10.35	7.54	8.53	11.25	10	0.81	Notched
66883F	107	K	O	0.50	16.50	10.35	7.54	8.53	11.25	10	0.81	Notched
66884B	117	K	O	0.50	16.50	10.62	7.62	8.78	11.25	10	1.00	*See footer. Use 66661B for severe service.
66884F	119	K	O	0.50	16.50	10.62	7.62	8.78	11.25	10	1.00	*See footer. Use 66661B for severe service.
66886B	124	M	O	0.50	16.50	10.19	7.38	12.75	11.25	10	0.81	9.44 Hub Bore
66888F	110	K	O	0.50	16.50	10.62	7.81	9.00	11.25	10	1.31	
66889F	OBSOLETE - Use 66893F											
66890B	111	K	O	0.50	16.50	10.62	7.62	8.74	11.25	10	0.81	
66892B	106	K	O	0.50	16.50	10.25	7.38	8.53	11.25	10	0.81	
66892F	106	K	O	0.50	16.50	10.25	7.38	8.53	11.25	10	0.81	
66893B	113	K	O	0.50	16.50	10.62	7.62	8.53	11.25	10	0.81	
66893F	114	K	O	0.50	16.50	10.62	7.62	8.53	11.25	10	0.81	*See footer.
66895B	110	K	O	0.50	16.50	10.62	7.81	9.00	11.25	10	0.81	*See footer.
66896F	111	K	O	0.50	16.50	10.38	7.38	8.66	11.25	10	0.81	
66899B	123	M	O	0.50	16.50	10.19	7.38	12.75	11.25	10	1.31	9.44 Hub Bore
67101B	OBSOLETE - Use 66893B											
67156B	OBSOLETE - Use 61574F											
67205F	135	H	I	0.50	16.50	11.94	10.34	9.44	11.25	10	0.94	
67407B	OBSOLETE - Use 62200F											
67415B	OBSOLETE - Use 68730F											
67434B	OBSOLETE - Use 66814F											
67486B	OBSOLETE - Use 66814F											
67515F	OBSOLETE - Use 67518F											
67518B	98	G	I	0.50	16.50	8.38	7.38	9.44	11.00	5	0.78	
										6	0.66	
67518F	100	G	I	0.50	16.50	8.38	7.38	9.44	11.00	5	0.78	*See footer.
										6	0.66	
67537F	102	G	I	0.50	16.50	8.38	7.38	9.44	11.25	10	0.81	
67598F	OBSOLETE - Use 67518F											
67615B	OBSOLETE - Use 66815B											
67945B	OBSOLETE - Use 65550B											
68012F	112	H	I	0.56	16.50	9.00	7.62	9.50	11.25	5/6	0.78	Notched
68013F	112	H	I	0.56	16.50	9.00	7.62	9.50	11.25	10	0.81	Notched
68036F**	104	H	I	0.50	16.50	8.78	6.72	9.75	11.25	5	0.66	Notched
68114B	OBSOLETE - Use 65541B											
68530F	OBSOLETE - Use 68730F											
68565F	OBSOLETE - Use 68765F											
68647F	OBSOLETE - Use 63647F											

Mount I=Inboard, O=Outboard

See Page 4 for Obsolete with No Replacement Brake Drums.

\*Available for purchase through the pallet program. See Page 6 for pallet part numbers.

\*\*Will become obsolete when current inventory is depleted. Call for availability - if purchased, parts are non-returnable.





## BRAKE DRUM NUMERICAL SECTION

Drum Number	Weight	Type	Mount	Backface Thickness	Brake Surface Diameter	Overall Depth	Brake Surface Flat	Pilot Diameter	Bolt Circle Diameter	Bolt Holes		Special Information
										No.	Size	
68730B	101	G	I	0.52	16.50	8.75	7.44	9.50	11.25	10	0.81	
68730F	103	G	I	0.52	16.50	8.75	7.44	9.50	11.25	10	0.81	*See footer.
68731F	101	G	I	0.50	16.50	8.75	7.31	9.00	11.25	10	0.81	
68732F	103	G	I	0.52	16.50	8.75	7.44	9.50	11.25	5/6	0.81	
68733F	106	G	I	0.50	16.50	8.75	7.31	9.00	11.25	10	1.06	
68734F	103	G	I	0.52	16.50	8.75	7.44	9.50	11.25	10	1.00	
68760F	103	G	I	0.52	16.50	8.75	7.44	9.44	11.00	5	0.78	
68765B	101	G	I	0.52	16.50	8.75	7.44	9.50	11.25	5	0.81	
										6	0.66	
68765F	101	G	I	0.52	16.50	8.75	7.44	9.50	11.25	5	0.81	
										6	0.66	
68797B	OBSOLETE - Use 66875B											
68844F	89	K	O	0.62	16.50	8.10	5.48	8.69	11.25	10	1.09	
68845F	88	K	O	0.62	16.50	8.10	5.48	8.78	11.25	10	1.31	
68846B	89	K	O	0.62	16.50	8.10	5.48	8.78	11.25	10	1.00	
68848F	90	K	O	0.62	16.50	8.10	5.48	8.66	11.25	10	0.81	
68872B	OBSOLETE - Use 65543B											
68882F	93	F	I	0.50	16.50	8.19	7.19	14.25	12.75	5/6	0.66	11.25 Hub Bore
68887B**	78	F	I	0.50	16.50	7.22	6.25	14.25	12.75	5	0.78	11.25 Hub Bore
										6	0.66	
68891F	124	H	I	0.50	16.50	11.25	8.94	9.44	11.25	10	0.84	
68897B	104	A	I	0.41	16.50	8.00	7.28	11.00	12.75	5/6	0.66	
68897F	105	A	I	0.41	16.50	8.00	7.28	11.00	12.75	5/6	0.66	*See footer.
68899F	OBSOLETE - Use 61730F											
68903F	107	H	I	0.50	16.50	9.00	7.50	11.25	12.75	5	0.78	
										6	0.66	
68908F	OBSOLETE - Use 61727F											
68918F	109	H	I	0.50	16.50	8.92	7.40	9.38	11.25	10	0.81	
68921F	112	H	I	0.50	16.50	8.81	7.50	9.44	11.25	10	0.81	
68927F	129	G	I	0.50	16.50	10.19	9.00	9.50	11.25	10	0.81	
68931F	128	G	I	0.50	16.50	10.19	9.00	9.50	11.25	5	0.78	
										6	0.66	
68934F	OBSOLETE - Use 66899B											
68940F**	78	F	I	0.50	16.50	7.22	6.25	14.25	12.75	5/6	0.66	11.25 Hub Bore Shoulder for Clipped Head Stud
68942F	93	F	I	0.50	16.50	8.19	7.19	14.25	12.75	5/6	0.66	11.25 Hub Bore Shoulder for Clipped Head Stud
68946F	122	G	I	0.50	16.50	10.00	9.00	9.44	11.00	5	0.78	
										6	0.66	
68958B	93	F	I	0.50	16.50	8.19	7.19	14.25	12.75	5	0.78	11.25 Hub Bore
										6	.066	

Mount I=Inboard, O=Outboard

See Page 4 for Obsolete with No Replacement Brake Drums.

\*Available for purchase through the pallet program. See Page 6 for pallet part numbers.

\*\*Will become obsolete when current inventory is depleted. Call for availability - if purchased, parts are non-returnable.



## BRAKE DRUM NUMERICAL SECTION

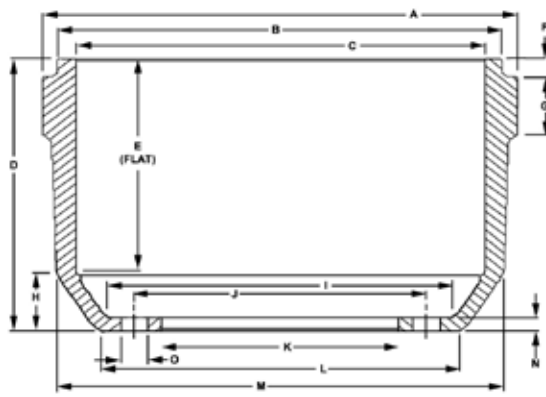
Drum Number	Weight	Type	Mount	Backface Thickness	Brake Surface Diameter	Overall Depth	Brake Surface Flat	Pilot Diameter	Bolt Circle Diameter	Bolt Holes		Special Information
										No.	Size	
68958F	93	F	I	0.50	16.50	8.19	7.19	14.25	12.75	5	0.78	11.25 Hub Bore
										6	0.66	
68967F	OBSOLETE - Use 61727F											
68970B**	82	A	I	0.50	16.50	6.88	6.10	11.25	12.75	5	0.66	
										6	0.78	
68981B	100	G	I	0.50	16.50	8.44	7.37	11.25	12.75	5/6	0.78	*See footer.
68984F	OBSOLETE - Use 68981B											
68985F	85	H	O	0.50	16.50	8.56	5.44	8.78	11.25	10	1.00	
68986B	102	G	I	0.53	16.50	8.53	7.44	11.42	13.19	6	0.66	
68988F	84	H	O	0.50	16.50	8.56	5.44	8.66	11.25	10	1.31	
68989F	84	H	O	0.50	16.50	8.56	5.44	8.78	11.25	10	1.31	
69378B	OBSOLETE - Use 65167B											
69870B	OBSOLETE - Use 61528B											
69996B	OBSOLETE - Use 66864F											
76864B	102	V	O	0.50	16.50	10.54	7.54	8.78	11.25	10	1.00	*See footer.
77528B	64	V	O	0.50	15.00	8.89	4.70	8.78	11.25	10	1.31	Vortex Unlimited
77710B	79	V	O	0.50	16.50	9.39	5.70	8.78	11.25	10	1.31	Vortex Unlimited
77800BW	117	V	O	0.56	16.50	11.15	8.66	8.78	11.25	10	1.00	Vortex Unlimited
77854BW	119	V	O	0.56	16.50	11.46	9.05	8.78	11.25	10	1.00	Vortex Unlimited
77864BW	109	V	O	0.48	16.50	10.54	7.54	8.78	11.25	10	1.00	Vortex Unlimited

Mount I=Inboard, O=Outboard

See Page 4 for Obsolete with No Replacement Brake Drums.

\*Available for purchase through the pallet program. See Page 6 for pallet part numbers.

\*\*Will become obsolete when current inventory is depleted. Call for availability - if purchased, parts are non-returnable.



- A. Overall Diameter of Drum
- B. Dust Shield Recess Diameter, if applicable
- C. Brake Surface Diameter
- D. Overall Depth
- E. Brake Surface Flat
- F. Depth of Dust Shield Recess
- G. Squeeler Band Thickness
- H. Distance from Outside of Backface to Start of Taper
- I. Inside Finished Diameter
- J. Bolt Circle Diameter
- K. Pilot Diameter
- L. Outside Finished Diameter
- M. Diameter at Taper
- N. Backplate Thickness
- O. Bolt Holes: Number and Size

### BRAKE DRUM PROGRESSIVE SECTION

Brake Surface Diameter	Overall Depth	Brake Surface Flat	Pilot Diameter	Bolt Circle Diameter	Bolt Holes		Drum Number	Weight	Type	Mount	Backface Thickness	Special Information
					No.	Size						
<b>12.25 BRAKE SURFACE DIAMETER</b>												
12.25	7.44	6.31	8.50	10.00	6	0.66	62358F	54	A	I	0.44	
12.25	8.59	6.25	7.12	8.75	10	0.81	63630F	71	H	I	0.50	
12.25	8.59	6.25	7.12	8.75	6	0.81	63634F	71	H	I	0.50	
12.25	8.63	7.91	7.12	8.75	6	0.81	63654F	74	A	I	0.56	
12.25	8.63	7.91	7.12	8.75	10	0.81	63658F	74	A	I	0.56	
12.25	9.06	7.81	7.00	8.25	6	0.53	63637F	79	G	I	0.44	
					6	0.66						
12.25	9.07	8.00	8.50	10.00	6	0.66	63617F	73	A	I	0.44	
12.25	9.07	8.00	8.50	10.00	6	0.66	63647F	79	A	I	0.44	
12.25	9.12	8.40	7.25	8.75	6	0.81	63650F	79	A	I	0.56	
12.25	10.16	7.81	7.12	8.75	10	0.81	63688F	74	H	I	0.50	
12.25	10.47	8.12	7.12	8.75	10	0.81	63631F	78	H	I	0.50	
12.25	10.47	8.12	7.12	8.75	6	0.81	63635F	78	H	I	0.50	
12.25	11.22	9.95	9.00	10.83	8	1.00	63680F	93	A	O	0.50	*See footer.
<b>14.00 BRAKE SURFACE DIAMETER</b>												
14.00	4.00	2.94	4.61	5.5&6	6/6	0.53	64425F	31	H	I	0.36	
14.00	7.00	3.00	7.12	8.75	6	0.81	64430F	43	K	I	0.38	
<b>14.46 BRAKE SURFACE DIAMETER</b>												
14.46	8.69	6.44	12.75	11.25	10	1.31	64119B	110	O	O	0.50	9.44 Hub Bore. Circum. Ribbed. *See footer.
<b>14.50 BRAKE SURFACE DIAMETER</b>												
14.50	8.00	5.19	12.75	11.25	10	1.31	64004B	88	Q	O	0.50	9.44 Hub Bore. Vert. Ribbed. *See footer.
14.50	8.31	6.06	12.75	11.25	10	1.31	64112B	102	O	O	0.50	9.44 Hub Bore. Circum. Ribbed. *See footer.
14.50	8.31	6.06	12.75	11.25	10	1.31	64113B	102	O	O	0.50	9.44 Hub Bore. Circum. Ribbed
14.50	8.69	6.44	12.75	11.25	10	1.31	64017F**	125	M	O	0.50	9.44 Hub Bore.

Mount I=Inboard, O=Outboard

See Page 4 for Obsolete with No Replacement Brake Drums.

\*Available for purchase through the pallet program. See Page 6 for pallet part numbers.

\*\*Will become obsolete when current inventory is depleted. Call for availability - if purchased, parts are non-returnable.



## BRAKE DRUM PROGRESSIVE SECTION

Brake Surface Diameter	Overall Depth	Brake Surface Flat	Pilot Diameter	Bolt Circle Diameter	Bolt Holes		Drum Number	Weight	Type	Mount	Backface Thickness	Special Information
					No.	Size						
<b>14.50 BRAKE SURFACE DIAMETER</b>												
14.50	8.69	6.44	12.75	11.25	10	1.31	64117B	110	O	O	0.50	9.44 Hub Bore. Circum. Ribbed. *See footer.
14.50	8.69	6.44	12.75	11.25	10	1.31	64117J	110	O	O	0.50	9.44 Hub Bore. Circum. Ribbed. *See footer.
14.50	8.69	6.44	12.75	11.25	10	1.31	65119J	112	O	O	0.50	9.44 Hub Bore. Circum. Ribbed. *See footer.
14.50	11.50	8.31	13.00	11.25	10	1.31	64009B	145	Q	O	0.50	9.44 Hub Bore. Vert. Ribbed.
14.50	11.79	8.50	12.75	11.25	10	1.31	64073B	136	H	O	0.50	9.44 Hub Bore.
14.50	11.79	8.50	12.75	11.25	10	1.31	64073F	136	H	O	0.50	9.44 Hub Bore.
14.50	12.81	10.50	12.75	11.25	10	1.31	64015B	172	M	O	0.50	9.44 Hub Bore. *See footer.
14.50	12.81	10.50	12.75	11.25	10	1.31	64115B	179	O	O	0.50	9.44 Hub Bore. Circum. Ribbed. *See footer.
14.50	12.81	10.50	12.75	11.25	10	1.31	64115C	179	O	O	0.50	9.44 Hub Bore. Circum. Ribbed. *See footer.
14.50	12.81	10.50	12.75	11.25	10	1.31	64115J	179	O	O	0.50	9.44 Hub Bore. Circum. Ribbed. *See footer.
<b>15.00 BRAKE SURFACE DIAMETER</b>												
15.00	3.94	3.45	10.00	11.25	5	0.53	64016F	37	A	I	0.41	
15.00	4.14	3.45	10.00	11.00	5	0.53	64018F	38	A	I	0.41	
15.00	4.42	3.88	9.00	10.50	5	0.66	64413F	52	A	I	0.38	
15.00	4.69	3.50	6.44	8.00	5	0.66	64453F	44	N	I	0.44	
15.00	5.28	4.25	9.50	11.25	6	0.78	64478F	59	N	I	0.50	
15.00	5.28	4.32	6.44	8.00	5	0.66	64477F	59	G	I	0.50	
15.00	5.38	4.50	9.25	11.25	5	0.78	64417F	66	G	I	0.53	
15.00	5.55	4.44	9.19	11.25	5/6	0.66	64414F	64	G	I	0.50	
15.00	5.55	4.44	9.19	11.25	5/6	0.78	64444F	60	G	I	0.50	
15.00	5.84	4.50	9.25	11.25	5/6	0.78	65514B	68	G	I	0.50	
15.00	5.88	4.94	10.00	12.75	5/6	0.78	63294F	62	G	I	0.50	
15.00	6.41	4.44	6.25	8.75	6	0.81	64426F	58	H	I	0.38	
15.00	7.00	5.36	9.37	11.25	10	0.81	61526F**	69	K	I	0.44	
15.00	7.06	6.38	9.44	11.00	5/6	0.66	61566F	70	A	I	0.50	
15.00	7.25	5.53	6.25	8.75	6	0.81	64408F**	77	H	I	0.50	
15.00	7.38	6.50	11.25	12.75	5/6	0.66	61601F	82	A	I	0.50	
15.00	7.44	6.38	11.25	12.75	6	0.78	65256B	91	G	I	0.50	
15.00	7.56	5.50	9.50	11.25	10	0.81	61554F	67	G	I	0.50	
15.00	7.84	4.44	8.66	11.25	10	1.31	64481F	72	H	O	0.50	
15.00	7.84	4.44	8.78	11.25	10	1.31	64489F	72	H	O	0.50	
15.00	7.84	4.44	9.44	11.25	10	0.81	64483F	75	H	O	0.50	

Mount I=Inboard, O=Outboard

See Page 4 for Obsolete with No Replacement Brake Drums.

\*Available for purchase through the pallet program. See Page 6 for pallet part numbers.

\*\*Will become obsolete when current inventory is depleted. Call for availability - if purchased, parts are non-returnable.



### BRAKE DRUM PROGRESSIVE SECTION

Brake Surface Diameter	Overall Depth	Brake Surface Flat	Pilot Diameter	Bolt Circle Diameter	Bolt Holes		Drum Number	Weight	Type	Mount	Backface Thickness	Special Information
					No.	Size						
<b>15.00 BRAKE SURFACE DIAMETER</b>												
15.00	7.94	6.69	14.25	12.75	5	0.66	64028F	73	P	I	0.50	11.25 Hub Bore.
15.00	8.00	5.56	6.44	8.75	10	0.78	64404F	78	N	I	0.44	
15.00	8.00	5.56	6.44	8.75	6	0.81	64405F	78	N	I	0.44	
15.00	8.00	5.56	6.51	8.75	6	0.81	64403F	77	K	I	0.44	
15.00	8.00	5.56	6.51	8.75	10	0.78	64432F	75	K	I	0.44	
15.00	8.02	4.32	9.00	11.25	10	1.31	61511F	73	K	O	0.50	
15.00	8.02	5.50	6.25	8.75	6	0.81	65735F	75	K	O	0.44	
15.00	8.06	3.75	7.12	8.75	6	0.81	64449F	65	K	O	0.44	
15.00	8.12	7.32	9.50	11.25	5/6	0.78	61595F**	88	G	I	0.50	
15.00	8.16	6.97	11.00	12.50	5/6	0.66	61612F**	84	G	I	0.50	
15.00	8.25	3.75	9.50	11.25	10	0.81	64445F	65	K	O	0.38	
15.00	8.38	7.19	11.00	12.50	5/6	0.66	61599F**	87	G	I	0.50	
15.00	8.38	7.19	11.25	12.75	5/6	0.78	61600B**	86	G	I	0.50	
15.00	8.50	6.50	9.75	11.25	5	0.66	64105F	83	N	I	0.50	
15.00	8.50	7.50	10.50	12.75	5/6	0.78	63035F	96	H	I	0.56	
15.00	8.53	4.50	8.75	11.25	10	0.81	64454F	73	H	O	0.44	
15.00	8.54	6.41	6.25	8.75	6	0.84	61536F	80	K	I	0.50	
15.00	8.62	7.44	11.00	12.50	5/6	0.66	61606F**	88	G	I	0.50	
15.00	8.75	6.55	12.75	11.25	10	1.31	64036F	129	Q	O	0.50	9.44 Hub Bore. Vert. Ribbed. Notched.
15.00	8.76	4.50	8.78	11.25	10	1.31	65547B	82	H	O	0.62	*See footer.
15.00	8.76	4.50	9.00	11.25	10	1.31	65541B	80	H	O	0.62	
15.00	8.76	4.50	9.00	11.25	10	0.81	65542B	81	H	O	0.62	
15.00	8.79	6.56	9.00	10.83	8	1.00	66830B	81	K	O	0.50	
15.00	8.86	4.78	8.75	11.25	10	1.31	61529B	70	H	O	0.50	
15.00	8.86	4.78	8.75	11.25	10	1.31	61529F	70	H	O	0.50	
15.00	8.86	4.78	8.78	11.25	10	1.00	61527B	70	K	O	0.50	*See footer.
15.00	8.86	4.78	8.78	11.25	10	1.31	61528B	70	H	O	0.50	*See footer.
15.00	8.89	4.70	8.78	11.25	10	1.31	77528B	64	V	O	0.50	Vortex Unlimited
15.00	8.98	4.75	8.75	11.25	10	0.81	65546B	77	H	O	0.50	
15.00	9.04	4.50	8.78	11.25	10	1.00	65545B	68	H	O	0.50	*See footer.
15.00	9.04	4.50	8.78	11.25	10	1.00	65555B	81	M	O	0.50	
15.00	9.04	4.50	8.78	11.25	10	1.00	65565B	80	H	O	0.50	
15.00	9.04	4.50	8.78	11.25	10	1.31	65548B	78	H	O	0.50	*See footer.
15.00	9.04	4.50	9.00	11.25	10	1.31	65549B	81	H	O	0.50	
15.00	9.04	4.75	9.00	10.83	8	1.00	65543B	80	H	O	0.50	
15.00	9.10	8.32	11.06	13.19	10	1.09	64044F	94	G	O	0.50	
15.00	9.15	7.40	11.22	13.19	10	0.94	64049B	96	G	O	0.55	
15.00	9.10	5.50	8.53	11.25	10	1.31	65550B	85	H	O	0.50	
15.00	9.10	5.50	8.78	11.25	10	1.31	65554B	83	H	O	0.50	
15.00	9.10	5.50	9.00	11.25	10	1.28	65551B	81	H	O	0.50	

Mount I=Inboard, O=Outboard

See Page 4 for Obsolete with No Replacement Brake Drums.

\*Available for purchase through the pallet program. See Page 6 for pallet part numbers.

\*\*Will become obsolete when current inventory is depleted. Call for availability - if purchased, parts are non-returnable.



## BRAKE DRUM PROGRESSIVE SECTION

Brake Surface Diameter	Overall Depth	Brake Surface Flat	Pilot Diameter	Bolt Circle Diameter	Bolt Holes		Drum Number	Weight	Type	Mount	Backface Thickness	Special Information
					No.	Size						
<b>15.00 BRAKE SURFACE DIAMETER</b>												
15.00	9.31	5.40	8.78	11.25	10	1.00	65153B	82	K	O	0.50	
15.00	9.31	5.40	8.78	11.25	10	1.31	65154B	82	K	O	0.50	
15.00	9.44	7.50	9.75	11.25	5	0.66	61548F	93	H	I	0.50	
15.00	9.46	6.26	8.78	11.25	10	1.00	61951B	72	K	O	0.50	Approved for 19.5 disc wheels.
15.00	9.49	6.18	8.78	11.25	10	1.00	65145B	110	F	O	0.62	
15.00	9.49	6.18	9.00	11.25	10	1.31	65147B	108	F	O	0.62	
15.00	9.75	7.52	8.78	11.25	10	1.00	61510B	91	K	O	0.50	
15.00	9.81	6.50	9.00	11.25	10	1.31	65157B	111	H	O	0.62	
15.00	9.84	6.64	8.78	11.25	10	1.00	61950B	77	K	O	0.50	Approved for 19.5 disc wheels.
15.00	9.84	6.64	8.78	11.25	10	1.09	61959B	77	K	O	0.50	
15.00	9.84	6.64	9.00	10.83	8	1.00	61958B	78	K	O	0.50	Approved for 19.5 disc wheels.
15.00	10.09	7.25	8.53	11.25	10	0.81	61574F	98	K	O	0.50	
15.00	10.38	7.56	8.53	11.25	10	0.81	61591F	102	K	O	0.50	For Girling Brakes.
15.00	10.41	7.57	8.78	11.25	10	1.00	61567B	97	K	O	0.50	
15.00	10.41	7.57	8.78	11.25	10	1.00	61567F	97	K	O	0.50	
15.00	10.59	7.75	8.53	11.25	10	0.81	61571F	106	K	O	0.50	
15.00	10.59	7.75	9.00	10.83	8	1.00	61576B	105	K	O	0.50	
15.00	10.59	7.75	9.00	10.83	8	1.00	61576F	105	K	O	0.50	
15.00	10.59	7.75	8.78	11.25	10	1.00	61577B	104	K	O	0.50	
15.00	10.59	7.75	8.78	11.25	10	1.00	61577F	104	K	O	0.50	
15.00	10.93	7.50	6.44	8.75	6	0.81	61586F	101	K	O	0.44	
15.00	11.59	9.21	8.78	11.25	10	1.00	61988B	110	K	O	0.50	Approved for 19.5 disc wheels.
15.00	11.59	9.21	8.78	11.25	10	1.00	61988F	112	K	O	0.50	Approved for 19.5 disc wheels.
15.00	11.59	9.21	9.00	10.83	8	1.00	61989B	105	K	O	0.50	Approved for 19.5 disc wheels.
15.00	11.59	9.21	9.00	10.83	8	1.00	61989F	105	K	O	0.50	Approved for 19.5 disc wheels.
15.00	11.75	9.22	8.78	11.25	10	1.00	61991B	118	K	O	0.50	Approved for 19.5 disc wheels.
15.00	11.75	9.22	8.78	11.25	10	1.00	61991F	118	K	O	0.50	Approved for 19.5 disc wheels.
15.00	11.75	9.22	8.78	11.25	10	1.09	61992F	118	K	O	0.50	Approved for 19.5 disc wheels.
15.00	11.75	9.22	9.00	10.83	8	1.00	61999F	118	K	O	0.50	Approved for 19.5 disc wheels.
15.00	12.38	10.15	12.75	11.25	10	1.31	64038F	177	Q	O	0.50	9.44 Hub Bore. Vert. Ribbed. Notched.
<b>15.14 BRAKE SURFACE DIAMETER</b>												
15.14	8.65	6.50	12.75	11.25	10	1.31	64046B	119	M	O	0.50	9.44 Hub Bore. Notched.

Mount I=Inboard, O=Outboard

See Page 4 for Obsolete with No Replacement Brake Drums.

\*Available for purchase through the pallet program. See Page 6 for pallet part numbers.

\*\*Will become obsolete when current inventory is depleted. Call for availability - if purchased, parts are non-returnable.



### BRAKE DRUM PROGRESSIVE SECTION

Brake Surface Diameter	Overall Depth	Brake Surface Flat	Pilot Diameter	Bolt Circle Diameter	Bolt Holes		Drum Number	Weight	Type	Mount	Backface Thickness	Special Information
					No.	Size						
<b>15.50 BRAKE SURFACE DIAMETER</b>												
15.14	8.65	6.50	12.75	11.25	10	1.31	64046H	119	M	O	0.50	9.44 Hub Bore. Notched.
15.14	12.38	10.25	12.75	11.25	10	1.31	64048B	191	M	O	0.50	9.44 Hub Bore, Notched *See footer.
15.50	8.34	6.37	11.07	13.19	10	1.09	64065F	118	O	O	0.50	
<b>15.75 BRAKE SURFACE DIAMETER</b>												
15.75	8.36	5.84	8.78	11.25	10	0.81	65757B	85	F	O	0.44	
15.75	8.56	6.04	8.53	11.25	10	0.81	65753B	88	H	O	0.44	
<b>16.14 BRAKE SURFACE DIAMETER</b>												
16.14	8.38	6.56	14.53	13.19	10	0.94	64040B	96	M	O	0.62	11.73 Hub Bore. *See footer.
16.14	10.83	9.13	11.10	13.19	10	0.94	64026F	145	G	O	0.62	
16.14	11.81	9.12	14.41	13.19	5/10	0.94	64089B	133	M	O	0.62	11.73 Hub Bore. *See footer.
16.14	11.81	9.12	14.53	13.19	10	0.94	64039F	132	M	O	0.62	*See footer.
<b>16.21 BRAKE SURFACE DIAMETER</b>												
16.21	8.38	6.56	14.53	13.19	10	0.94	64040Z	96	M	O	0.62	11.73 Hub Bore.
16.21	11.81	9.12	14.41	13.19	10	0.94	64089Z	133	M	O	0.62	11.73 Hub Bore.
<b>16.50 BRAKE SURFACE DIAMETER</b>												
16.50	6.12	5.41	9.25	11.25	5/6	0.78	65516B	78	A	I	0.50	
16.50	6.25	5.31	9.18	11.25	5/6	0.66	63436F	80	G	I	0.56	
16.50	6.25	5.31	9.44	11.00	5	0.78	63447F	79	G	I	0.56	
					6	0.66						
16.50	6.30	5.59	9.25	11.25	5/6	0.78	65526B	81	A	I	0.50	Notched.
16.50	6.41	5.33	10.00	12.75	5/6	0.78	62117F	90	A	I	0.56	
16.50	6.50	5.56	9.00	11.25	5	0.78	63427F	84	G	I	0.56	
16.50	6.69	5.41	10.00	12.75	5/6	0.78	62115B	88	G	I	0.56	
16.50	6.88	6.10	11.25	12.75	5	0.66	68970B**	82	A	I	0.50	
					6	0.78						
16.50	7.22	6.25	14.25	12.75	5/6	0.66	68940F**	78	F	I	0.50	11.25 Hub Bore Shoulder for Clipped Head Stud.
					5	0.78						
16.50	7.22	6.25	14.25	12.75	6	0.66	68887B	78	F	I	0.50	11.25 Hub Bore
					5	0.78						
16.50	7.44	6.38	11.25	12.75	6	0.78	65266B	104	A	I	0.50	
16.50	7.87	6.25	9.44	11.25	10	0.81	64468F	84	H	I	0.44	
16.50	8.00	6.38	9.38	11.25	10	0.81	64466F	85	H	I	0.44	
16.50	8.00	6.38	9.44	11.25	10	0.81	64467F	85	H	I	0.44	
16.50	8.00	7.28	11.00	12.75	5/6	0.66	68897B	104	A	I	0.41	
16.50	8.00	7.28	11.00	12.75	5/6	0.66	68897F	105	A	I	0.41	*See footer.
16.50	8.10	5.48	8.66	11.25	10	0.81	68848F	90	K	O	0.62	

Mount I=Inboard, O=Outboard

See Page 4 for Obsolete with No Replacement Brake Drums.

\*Available for purchase through the pallet program. See Page 6 for pallet part numbers.

\*\*Will become obsolete when current inventory is depleted. Call for availability - if purchased, parts are non-returnable.



## BRAKE DRUM PROGRESSIVE SECTION

Brake Surface Diameter	Overall Depth	Brake Surface Flat	Pilot Diameter	Bolt Circle Diameter	Bolt Holes		Drum Number	Weight	Type	Mount	Backface Thickness	Special Information
					No.	Size						
<b>16.50 BRAKE SURFACE DIAMETER</b>												
16.50	8.10	5.48	8.69	11.25	10	1.09	68844F	89	K	O	0.62	
16.50	8.10	5.48	8.78	11.25	10	1.00	68846B	89	K	O	0.62	
16.50	8.10	5.48	8.78	11.25	10	1.31	68845F	88	K	O	0.62	
16.50	8.19	7.19	14.25	12.75	5/6	0.66	68882F	93	F	I	0.50	11.25 Hub Bore.
16.50	8.19	7.19	14.25	12.75	5/6	0.66	68942F	93	F	I	0.50	11.25 Hub Bore Shoulder for Clipped Head Stud.
16.50	8.19	7.19	14.25	12.75	5	0.78	68958B	93	F	I	0.50	11.25 Hub Bore.
					6	0.66						
16.50	8.19	7.19	14.25	12.75	5	0.78	68958F	93	F	I	0.50	11.25 Hub Bore.
					6	0.66						
16.50	8.23	7.23	11.25	12.75	5/6	0.78	63032F	105	G	I	0.56	
16.50	8.31	7.62	13.50	15.00	10	0.53	62199F	88	A	I	0.44	
16.50	8.38	7.38	9.44	11.00	5	0.78	67518B	98	G	I	0.50	
					6	0.66						
16.50	8.38	7.38	9.44	11.00	5	0.78	67518F	100	G	I	0.50	*See footer.
					6	0.66						
16.50	8.38	7.38	9.44	11.25	10	0.81	67537F	102	G	I	0.50	
16.50	8.40	7.40	10.50	12.75	5	0.78	63031B	114	G	I	0.56	
16.50	8.44	7.24	11.25	12.75	5/6	0.78	61731F	123	H	I	0.56	
16.50	8.44	7.37	11.25	12.75	5/6	0.78	68981B	100	G	I	0.50	*See footer.
16.50	8.50	7.32	8.66	11.25	10	0.81	61791F	107	A	I	0.50	
16.50	8.50	7.40	11.00	12.50	5/6	0.66	61780F	108	H	I	0.50	
16.50	8.53	7.44	11.42	13.19	6	0.66	68986B	102	G	I	0.53	
16.50	8.56	5.44	8.66	11.25	10	1.31	68988F	84	H	O	0.50	
16.50	8.56	5.44	8.78	11.25	10	1.00	68985F	85	H	O	0.50	
16.50	8.56	5.44	8.78	11.25	10	1.31	68989F	84	H	O	0.50	
16.50	8.69	7.63	10.50	12.75	5/6	0.78	62997B	96	G	I	0.56	
16.50	8.69	7.63	10.50	12.75	5/6	0.78	62997F	97	G	I	0.56	*See footer.
16.50	8.75	7.31	9.00	11.25	10	0.81	68731F	101	G	I	0.50	
16.50	8.75	7.31	9.00	11.25	10	1.06	68733F	106	G	I	0.50	
16.50	8.75	7.44	9.44	11.00	5	0.78	68760F	103	G	I	0.52	
16.50	8.75	7.44	9.50	11.25	10	0.81	68730B	101	G	I	0.52	
16.50	8.75	7.44	9.50	11.25	10	0.81	68730F	103	G	I	0.52	*See footer.
16.50	8.75	7.44	9.50	11.25	5/6	0.81	68732F	103	G	I	0.52	
16.50	8.75	7.44	9.50	11.25	10	1.00	68734F	103	G	I	0.52	
16.50	8.75	7.44	9.50	11.25	5	0.81	68765B	101	G	I	0.52	
					6	0.66						
16.50	8.75	7.44	9.50	11.25	5	0.81	68765F	101	G	I	0.52	
					6	0.66						
16.50	8.75	7.50	11.00	12.50	5/6	0.66	61727F**	111	H	I	0.50	

Mount I=Inboard, O=Outboard

See Page 4 for Obsolete with No Replacement Brake Drums.

\*Available for purchase through the pallet program. See Page 6 for pallet part numbers.

\*\*Will become obsolete when current inventory is depleted. Call for availability - if purchased, parts are non-returnable.





### BRAKE DRUM PROGRESSIVE SECTION

Brake Surface Diameter	Overall Depth	Brake Surface Flat	Pilot Diameter	Bolt Circle Diameter	Bolt Holes		Drum Number	Weight	Type	Mount	Backface Thickness	Special Information
					No.	Size						
<b>16.50 BRAKE SURFACE DIAMETER</b>												
16.50	8.78	6.72	9.75	11.25	5	0.66	68036F**	104	H	I	0.50	Notched.
16.50	8.78	7.41	11.25	12.75	5	0.78	61730F	98	H	I	0.50	
					6	0.66						
16.50	8.78	7.41	11.25	12.75	5/6	0.78	62240F	98	G	I	0.50	
16.50	8.81	7.50	9.44	11.25	10	0.81	68921F	112	H	I	0.50	
16.50	8.84	5.75	8.53	11.25	10	1.31	65739B	95	K	O	0.50	
16.50	8.88	7.62	11.00	12.75	6	0.66	61733F	134	H	I	0.56	
16.50	8.92	7.40	9.38	11.25	10	0.81	68918F	109	H	I	0.50	
16.50	9.00	7.50	11.25	12.75	5	0.78	68903F	107	H	I	0.50	
					6	0.66						
16.50	9.00	7.62	9.50	11.25	5/6	0.78	68012F	112	H	I	0.56	Notched.
16.50	9.00	7.62	9.50	11.25	10	0.81	68013F	112	H	I	0.56	Notched.
16.50	9.04	5.95	8.78	11.25	10	1.31	65710B	96	K	O	0.50	*See footer.
16.50	9.06	6.94	9.44	11.25	10	0.81	66096F	100	H	I	0.50	
16.50	9.14	5.45	8.78	11.25	10	1.00	65659B	85	K	O	0.50	
16.50	9.15	5.94	11.25	13.19	10	1.00	66350F	94	K	O	0.50	
16.50	9.19	5.62	9.00	11.25	10	1.31	64035F	131	H	O	0.62	
16.50	9.22	5.50	8.53	11.25	10	1.31	65650B	90	H	O	0.62	
16.50	9.22	5.50	8.78	11.25	10	1.00	65654B	89	H	O	0.62	
16.50	9.22	5.50	9.00	11.25	10	1.31	65651B	90	H	O	0.62	
16.50	9.25	6.25	8.66	11.25	10	1.00	65173B	114	H	O	0.62	
16.50	9.37	5.45	8.78	11.25	10	1.00	65158B	92	K	O	0.50	
16.50	9.37	5.45	8.78	11.25	10	1.31	65151B	92	K	O	0.50	
16.50	9.38	5.68	9.00	11.25	10	1.31	65175B	102	K	O	0.62	Notched.
16.50	9.38	5.68	9.00	11.25	10	1.31	65175F	102	K	O	0.62	Notched.
16.50	9.38	6.38	8.74	11.25	10	1.31	65165B	116	H	O	0.62	
16.50	9.38	6.38	8.78	11.25	10	1.31	65161B*	116	H	O	0.62	
16.50	9.39	5.70	8.78	11.25	10	1.31	77710B	79	V	O	0.50	Vortex Unlimited
16.50	9.44	6.55	11.25	13.19	10	1.00	66364B	106	K	O	0.50	*See footer.
16.50	9.50	7.38	9.44	11.25	10	0.81	62200F	104	H	I	0.50	*See footer.
16.50	9.50	7.50	11.05	13.19	10	1.03	66283F	112	G	I	0.88	
16.50	9.52	6.27	8.78	11.25	10	1.00	65163B	119	H	O	0.62	
16.50	9.52	6.27	8.78	11.25	10	1.00	65163F	119	H	O	0.62	
16.50	9.52	6.27	8.78	11.25	10	1.00	65183B	119	H	O	0.62	
16.50	9.52	6.27	8.78	11.25	10	1.31	65181B	118	H	O	0.62	
16.50	9.52	6.27	8.78	11.25	10	1.31	65182B	118	H	O	0.62	
16.50	9.52	6.38	8.78	11.25	10	1.00	65607B	117	K	O	0.50	
16.50	9.52	6.38	8.78	11.25	10	1.31	65600B	116	K	O	0.50	*See footer.
16.50	9.52	6.38	8.78	11.25	10	1.31	65600C	116	K	O	0.50	*See footer.
16.50	9.52	6.38	8.78	11.25	10	1.31	65604B**	111	K	O	0.50	
16.50	9.59	6.56	8.78	11.25	10	1.00	65609B	113	K	O	0.50	

Mount I=Inboard, O=Outboard

See Page 4 for Obsolete with No Replacement Brake Drums.

\*Available for purchase through the pallet program. See Page 6 for pallet part numbers.

\*\*Will become obsolete when current inventory is depleted. Call for availability - if purchased, parts are non-returnable.



## BRAKE DRUM PROGRESSIVE SECTION

Brake Surface Diameter	Overall Depth	Brake Surface Flat	Pilot Diameter	Bolt Circle Diameter	Bolt Holes		Drum Number	Weight	Type	Mount	Backface Thickness	Special Information
					No.	Size						
<b>16.50 BRAKE SURFACE DIAMETER</b>												
16.50	9.63	5.75	8.75	11.25	10	0.81	65174B	106	K	O	0.50	
16.50	9.63	5.93	8.78	11.25	10	1.00	65177B	110	K	O	0.50	Notched.
16.50	9.65	6.62	11.25	13.19	10	1.00	66366B	108	K	O	0.50	*See footer.
16.50	9.65	6.62	11.25	13.19	10	1.00	66374B	108	K	O	0.50	*See footer.
16.50	9.69	7.31	8.78	11.25	10	1.09	62670B	113	H	O	0.62	
16.50	9.69	7.31	8.78	11.25	10	1.31	62671B	113	H	O	0.62	
16.50	9.69	7.31	8.78	11.25	10	1.31	62671F	113	H	O	0.62	
16.50	9.75	6.50	8.53	11.25	10	1.31	65166B	123	H	O	0.62	
16.50	9.75	6.50	8.78	11.25	10	1.00	65162B	123	H	O	0.62	
16.50	9.75	6.50	8.78	11.25	10	1.00	65162F	123	H	O	0.62	
16.50	9.75	6.50	8.78	11.25	10	1.31	65152B	122	H	O	0.62	*See footer.
16.50	9.75	6.50	9.00	11.25	10	1.31	65167B	122	H	O	0.62	
16.50	9.84	6.38	8.78	11.25	10	1.31	65172B	108	K	O	0.50	
16.50	9.84	6.38	8.78	11.25	10	1.00	65179B	109	K	O	0.50	
16.50	9.88	6.62	8.78	11.25	10	1.00	65170B	116	K	O	0.62	Notched.
16.50	9.88	6.62	9.00	11.25	10	1.31	65169B	115	K	O	0.62	Notched. *See footer.
16.50	10.00	9.00	9.44	11.00	5	0.78	68946F	122	G	I	0.50	
					6	0.66						
16.50	10.13	6.87	8.78	11.25	10	1.00	65176B	118	K	O	0.50	Notched.
16.50	10.13	6.87	8.78	11.25	10	1.00	65176F	118	K	O	0.50	Notched.
16.50	10.19	7.38	8.78	11.25	10	1.00	66826B	116	K	O	0.50	Oil Groove.
16.50	10.19	7.38	12.75	11.25	10	0.81	66886B	124	M	O	0.50	9.44 Hub Bore.
16.50	10.19	7.38	12.75	11.25	10	1.31	66899B	123	M	O	0.50	9.44 Hub Bore.
16.50	10.19	9.00	9.50	11.25	10	0.81	68927F	129	G	I	0.50	
16.50	10.19	9.00	9.50	11.25	5	0.78	68931F	128	G	I	0.50	
					6	0.66						
16.50	10.25	7.25	9.38	11.25	10	0.81	66857F	111	K	O	0.50	
16.50	10.25	7.38	8.53	11.25	10	0.81	66852B	115	K	O	0.50	
16.50	10.25	7.38	8.53	11.25	10	0.81	66852F	115	K	O	0.50	
16.50	10.25	7.38	8.53	11.25	10	0.81	66892B	106	K	O	0.50	
16.50	10.25	7.38	8.53	11.25	10	0.81	66892F	106	K	O	0.50	
16.50	10.25	7.38	9.00	10.83	8	1.00	66878B	104	K	O	0.50	
16.50	10.25	7.38	9.00	10.83	8	1.00	66878F	104	K	O	0.50	
16.50	10.25	7.38	11.25	13.19	10	1.00	66663B	128	K	O	0.50	
16.50	10.25	7.44	8.53	11.25	10	1.31	66862B	108	K	O	0.50	
16.50	10.25	7.44	8.53	11.25	10	1.31	66862F	108	K	O	0.50	
16.50	10.30	7.30	8.78	11.25	10	1.00	66873B	108	K	O	0.50	*See footer.
16.50	10.30	7.30	8.78	11.25	10	1.00	66873F	110	K	O	0.50	*See footer.
16.50	10.31	7.50	9.00	11.25	10	0.81	66865B	108	K	O	0.50	
16.50	10.31	7.56	11.06	13.19	10	1.09	66626B	113	K	O	0.50	
16.50	10.35	7.54	8.53	11.25	10	0.81	66883B	107	K	O	0.50	Notched.

Mount I=Inboard, O=Outboard

See Page 4 for Obsolete with No Replacement Brake Drums.

\*Available for purchase through the pallet program. See Page 6 for pallet part numbers.

\*\*Will become obsolete when current inventory is depleted. Call for availability - if purchased, parts are non-returnable.



### BRAKE DRUM PROGRESSIVE SECTION

Brake Surface Diameter	Overall Depth	Brake Surface Flat	Pilot Diameter	Bolt Circle Diameter	Bolt Holes		Drum Number	Weight	Type	Mount	Backface Thickness	Special Information
					No.	Size						
<b>16.50 BRAKE SURFACE DIAMETER</b>												
16.50	10.35	7.54	8.53	11.25	10	0.81	66883F	107	K	O	0.50	Notched.
16.50	10.35	7.54	8.78	11.25	10	1.00	66867B	106	K	O	0.50	Notched.
16.50	10.37	7.38	8.78	11.25	10	1.19	66660B	137	K	O	0.62	
16.50	10.37	7.38	8.78	11.25	10	1.19	66668F	125	H	O	0.62	
16.50	10.37	7.46	8.78	11.25	10	1.00	66661B	136	K	O	0.50	For severe service
16.50	10.38	7.38	8.66	11.25	10	0.81	66896F	111	K	O	0.50	
16.50	10.38	7.38	8.66	11.25	10	1.50	66801B**	107	K	O	0.50	
16.50	10.54	7.54	8.78	11.25	10	1.00	66864F20	112	K	O	0.50	*See footer. Use 66884F for heavy duty applications.
16.50	10.54	7.54	8.78	11.25	10	1.00	76864B	102	V	O	0.50	*See footer.
16.50	10.54	7.54	8.78	11.25	10	1.00	66864B20	111	K	O	0.50	*See footer. Use 66884B for heavy duty applications.
16.50	10.54	7.54	8.78	11.25	10	1.00	77864BW	109	V	O	0.48	Vortex Unlimited
16.50	10.59	7.38	11.25	13.19	10	1.00	66250B	116	K	O	0.50	
16.50	10.59	7.38	11.25	13.19	10	1.00	66250F	116	K	O	0.50	
16.50	10.59	7.38	11.25	13.19	10	1.00	66251F	111	K	O	0.50	
16.50	10.62	7.62	8.53	11.25	10	0.81	66853B	119	K	O	0.50	
16.50	10.62	7.62	8.53	11.25	10	0.81	66893B	113	K	O	0.50	
16.50	10.62	7.62	8.53	11.25	10	0.81	66893F	114	K	O	0.50	*See footer.
16.50	10.62	7.62	8.74	11.25	10	0.81	66890B	111	K	O	0.50	
16.50	10.62	7.62	8.78	11.25	10	1.00	66807B	111	H	O	0.50	With windows
16.50	10.62	7.62	8.78	11.25	10	1.00	66843B	121	K	O	0.50	Oil Groove.
16.50	10.62	7.62	8.78	11.25	10	1.00	66884B	117	K	O	0.50	*See footer. Use 66661B for severe service.
16.50	10.62	7.62	8.78	11.25	10	1.00	66884F	119	K	O	0.50	*See footer. Use 66661B for severe service.
16.50	10.62	7.81	9.00	10.83	8	1.00	66875B	110	K	O	0.50	
16.50	10.62	7.81	9.00	10.83	8	1.00	66875F	111	K	O	0.50	*See footer.
16.50	10.62	7.81	9.00	11.25	10	0.81	66895B	110	K	O	0.50	*See footer.
16.50	10.62	7.81	9.00	11.25	10	1.31	66888F	110	K	O	0.50	
16.50	10.75	7.50	9.44	11.25	10	0.81	60876B	107	K	O	0.56	
16.50	10.75	7.50	9.44	11.25	10	0.81	60876F	108	K	O	0.56	*See footer.
16.50	10.82	7.50	8.78	11.25	10	1.00	65670B	117	K	O	0.50	Oil Groove. *See footer.
16.50	11.06	10.12	9.44	11.00	5	0.78	63410F	133	G	I	0.50	
					6	0.66						
16.50	11.10	8.61	8.78	11.25	10	1.00	66800B	119	K	O	0.56	*See footer.
16.50	11.10	8.61	8.78	11.25	10	1.00	66800F	119	K	O	0.56	*See footer.

Mount I=Inboard, O=Outboard

See Page 4 for Obsolete with No Replacement Brake Drums.

\*Available for purchase through the pallet program. See Page 6 for pallet part numbers.

\*\*Will become obsolete when current inventory is depleted. Call for availability - if purchased, parts are non-returnable.



## BRAKE DRUM PROGRESSIVE SECTION

Brake Surface Diameter	Overall Depth	Brake Surface Flat	Pilot Diameter	Bolt Circle Diameter	Bolt Holes		Drum Number	Weight	Type	Mount	Backface Thickness	Special Information
					No.	Size						
<b>16.50 BRAKE SURFACE DIAMETER</b>												
16.50	11.10	8.71	8.78	11.25	10	1.00	66808B	119	H	O	0.56	With windows
16.50	11.15	8.66	8.78	11.25	10	1.00	77800BW	117	V	O	0.56	Vortex Unlimited
16.50	11.18	7.44	8.78	11.25	10	1.00	66353B	110	K	O	0.50	*See footer.
16.50	11.18	7.44	8.78	11.25	10	1.00	66353F	110	K	O	0.50	*See footer.
16.50	11.19	8.88	8.53	11.25	10	0.81	64041F	148	H	O	0.50	Use with 24.5 Disc Wheel Only.
16.50	11.19	8.88	9.00	11.25	10	1.31	64057F	146	H	O	0.50	
16.50	11.25	8.94	9.44	11.25	10	0.84	68891F	124	H	I	0.50	
16.50	11.28	9.16	11.25	13.19	10	1.09	64053B	160	K	O	0.59	*See footer.
16.50	11.39	9.00	8.78	11.25	10	1.00	66809B	120	H	O	0.56	With windows
16.50	11.44	8.50	8.53	11.25	10	0.81	64047B	139	H	O	0.50	Notched.
16.50	11.44	8.50	8.53	11.25	10	0.81	64047F	139	H	O	0.50	Notched.
16.50	11.44	8.50	8.78	11.25	10	0.81	64045B	139	H	O	0.50	Notched.
16.50	11.46	8.86	8.78	11.25	10	1.00	66827B	130	K	O	1.00	Special Backplate Thickness w/Oil Groove.
16.50	11.46	9.05	8.78	11.25	10	1.00	77854BW	119	V	O	0.56	Vortex Unlimited
16.50	11.46	9.08	8.78	11.25	10	1.00	66855B	121	K	O	0.56	*See footer.
16.50	11.46	9.12	8.78	11.25	10	1.00	66854B	120	K	O	0.56	Oil Groove. *See footer.
16.50	11.46	9.12	8.78	11.25	10	1.00	66854F	121	K	O	0.56	*See footer.
16.50	11.56	9.44	11.11	13.19	10	1.09	64050B	172	K	O	0.59	*See footer.
16.50	11.56	9.44	11.25	13.19	10	1.09	64051B	171	K	O	0.59	*See footer.
16.50	11.56	9.44	11.25	13.19	10	1.09	64051J	171	K	O	0.59	*See footer.
16.50	11.94	10.34	9.44	11.25	10	0.94	67205F	135	H	I	0.50	
16.50	11.99	9.23	8.78	11.25	10	1.00	66834F	129	K	O	0.50	
16.50	12.12	9.36	8.53	11.25	10	0.81	66811F	130	K	O	0.50	
16.50	12.28	9.52	9.44	11.25	10	0.84	66817F	130	K	O	0.56	
16.50	12.35	9.86	8.78	11.25	10	1.00	64125B	166	F	O	0.56	*See footer.
16.50	12.35	9.86	8.78	11.25	10	1.00	64125F	166	F	O	0.56	
16.50	12.39	9.63	8.53	11.25	10	0.81	66815F	133	K	O	0.50	
16.50	12.39	9.63	8.78	11.25	10	1.00	66814B	132	K	O	0.50	
16.50	12.39	9.63	8.78	11.25	10	1.00	66814F	132	K	O	0.50	
16.50	12.39	9.63	9.00	10.83	8	1.00	66816F	136	K	O	0.50	
16.50	13.19	10.50	8.78	11.25	10	1.00	66871B	169	K	O	0.50	
16.50	13.38	10.54	8.78	11.25	10	1.00	66866B	171	K	O	0.50	
16.50	13.38	10.89	8.53	11.25	10	0.81	66812B	160	K	O	0.50	Notched.
16.50	13.38	10.89	8.53	11.25	10	0.81	66812F	160	K	O	0.50	Notched.
16.50	13.38	10.89	9.00	11.25	10	1.31	66822F	158	K	O	0.50	Notched.
<b>16.54 BRAKE SURFACE DIAMETER</b>												
16.54	10.15	7.25	11.10	13.19	10	1.19	66669B	118	K	O	0.56	
<b>16.55 BRAKE SURFACE DIAMETER</b>												
16.55	10.00	7.50	8.78	11.25	10	1.00	66850B	98	K	O	0.50	

Mount I=Inboard, O=Outboard

See Page 4 for Obsolete with No Replacement Brake Drums.

\*Available for purchase through the pallet program. See Page 6 for pallet part numbers.

\*\*Will become obsolete when current inventory is depleted. Call for availability - if purchased, parts are non-returnable.



### BRAKE DRUM PROGRESSIVE SECTION

Brake Surface Diameter	Overall Depth	Brake Surface Flat	Pilot Diameter	Bolt Circle Diameter	Bolt Holes		Drum Number	Weight	Type	Mount	Backface Thickness	Special Information
					No.	Size						
<b>18.00 BRAKE SURFACE DIAMETER</b>												
18.00	8.24	7.38	11.00	12.75	6	0.66	61788F	134	A	I	0.56	
18.00	8.50	7.25	11.25	12.75	6	0.78	61853F	126	H	I	0.56	
18.00	8.75	7.50	8.66	11.25	10	0.81	61859F	137	H	I	0.56	
18.00	8.75	7.50	9.00	11.25	10	1.06	61862F	135	H	I	0.56	
18.00	8.75	7.50	9.00	13.19	10	1.06	61850F	135	H	I	0.56	
18.00	8.75	7.50	9.50	11.25	6	0.66	61856F	138	H	I	0.56	
18.00	8.75	7.50	11.25	12.75	6	0.66	61854F	134	H	I	0.56	
18.00	8.75	7.50	11.25	12.75	6	0.78	61855F	134	H	I	0.56	
18.00	10.37	7.38	8.78	11.25	10	1.00	66665B	147	K	O	0.50	
18.00	10.37	7.38	11.25	13.19	10	1.19	61870B	147	K	O	0.62	

Mount I=Inboard, O=Outboard

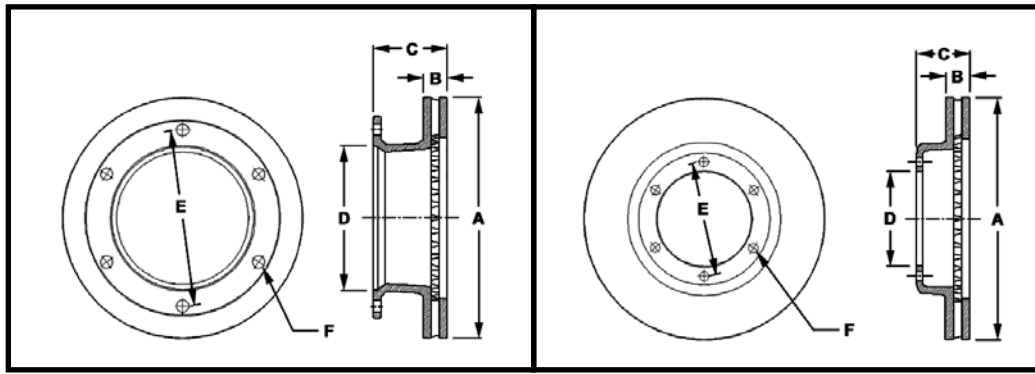
See Page 4 for Obsolete with No Replacement Brake Drums.

\*Available for purchase through the pallet program. See Page 6 for pallet part numbers.

\*\*Will become obsolete when current inventory is depleted. Call for availability - if purchased, parts are non-returnable.



## DISC BRAKE ROTORS



**U TYPE**

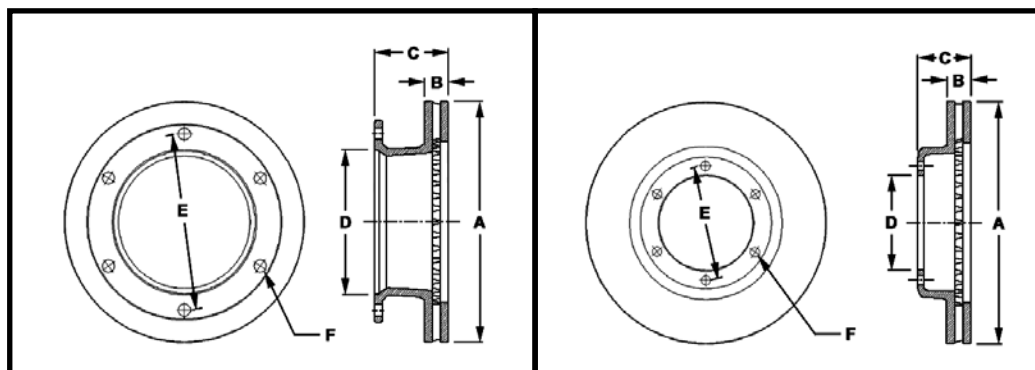
**HAT TYPE**

Webb Rotor Part Number	Weight	Rotor Type	A Overall Diameter	B Disc Thickness	C Overall Depth	D Pilot Diameter	E Bolt Circle Diameter	F Bolt Holes		Special Info	Application Information
								Number	Size		
54102P	36	HAT	14.75	1.345	3.81	5.40	6.75	5	0.66		GMC/Chevrolet Front Axles
54103P	36	HAT	14.75	1.345	3.81	5.40	7.25	6	0.78		Ford Front Axles
54104P	37	HAT	14.75	1.345	3.81	5.40	6.75	6	0.66		GMC/Chevrolet Front Axles
54105P	36	HAT	14.75	1.345	3.81	5.40	7.25	6	0.78	Drilled for ABS	Ford Front Axles (ABS Applications)
54106P	36	HAT	14.75	1.345	3.81	6.00	7.25	10	0.59		School Bus/Light Truck
54107P	35	HAT	14.75	1.345	3.81	6.00	7.25	10	0.78		Ford Steer
54109P	36	HAT	14.75	1.345	3.81	5.40	6.75	6	0.66	Drilled for ABS	Same as 54104 with ABS
54220P	80	HAT	17.08	1.77	5.16	5.32	6.61	12	0.75		MCI steer or tag for Meritor EX225 ADB system
54255P	47	U	15.00	1.44	4.49	9.18	11.25	5	0.65		Navistar Front Axles
54256P	47	U	15.00	1.44	4.49	9.18	11.25	5	0.78		Navistar Front and Rear Axles
54280P	56	U	15.00	1.435	6.00	14.25	12.75	5	0.78		Bendix Hydraulic
54281P	56	U	15.00	1.435	6.79	9.37	11.25	10	0.81		
54282P	56	U	15.00	1.435	6.09	14.25	12.75	5	0.66		Bendix Hydraulic
54291P	50	U	15.00	1.435	4.88	9.25	11.25	6.00	0.78		Bluebird Bus Aftermarket
54292P	54	U	15.00	1.435	6.00	9.50	11.25	10	0.81		Bluebird Bus Drive Axle Aftermarket
54301P	42	HAT	15.39	1.535	3.40	6.00	7.25	10	0.59		GMC/Chevrolet Front and Rear Axles
54351P	51	U	15.39	1.535	4.75	9.25	11.25	6	0.78		Ford Front Axles (1983 and Newer)
54352P	55	U	15.39	1.535	6.03	6.44	8.75	6	0.84		Ford Front Axles (1984 and Newer)
54360P	60	U	15.39	1.535	6.07	8.69	11.25	10	0.84		Truck Hydraulic
54365P-65	61	U	15.39	1.54	7.60	9.12	11.25	10	0.938	ABS	Bluebird TC2000 & 3000 Buses
54769P-65	39	HAT	15.00	1.435	3.50	5.40	6.75	5	0.78	ABS	Navistar Front Axles (ABS Applications)

(-65) Indicates rotor has corrosion protective coating.

P in part number indicates packaged rotor. Rotors are packaged for protection.

## DISC BRAKE ROTORS



**U TYPE**

**HAT TYPE**

Webb Rotor Part Number	Weight	Rotor Type	A	B	C	D	E	F		Special Info	Application Information
			Overall Diameter	Disc Thickness	Overall Depth	Pilot Diameter	Bolt Circle Diameter	Bolt Holes			
								Number	Size		
54770P-65	40	HAT	15.00	1.435	3.50	5.40	6.75	6	0.77	ABS	Navistar Front and Rear Axles (ABS Applications)
54771P-65	42	HAT	15.00	1.435	4.44	6.00	7.25	10	0.58	ABS	Truck Front and Rear Axles (ABS Applications)
54773P-65	38	HAT	15.00	1.435	3.21	6.00	7.25	10	0.58	ABS	Truck Front and Rear Axles (ABS Applications)
54775P-65	43	HAT	15.38	1.535	3.40	6.00	7.25	10	0.58	ABS	GM Front/Rear Bluebird Front Rear 19L Max Thomas Bus Front/Rear
54776P-65	39	HAT	15.00	1.435	3.50	5.40	6.75	6	0.58	ABS	
55060P	80	U	17.07	1.77	5.65	8.50	10.50	10	0.578		MCI Drive Axle for Meritor EX225 ADB Systems

(-65) Indicates rotor has corrosion protective coating.

P in part number indicates packaged rotor. Rotors are packaged for protection.



## DISC BRAKE ROTOR CROSS REFERENCE SECTION

Manufacturer's Part Number	Webb Part Number
<b>ArvinMeritor/Dayton</b>	
122527	54251P
122687	54102P
122688	54104P
122691	54351P
122700	54103P
122701	54255P
122703	54360P
122729	54301P
122743	54352P
122897	54771P-65
122920	54256P
122945	54281P
123296	54106P
123439	54107P
123440	54301P
123443	54105P
123468	54109P
123480	54105P
123550	54773P-65
123552	54771P-65
123557	54775P-65
123572	54770P-65
123573	54769P-65
123574	54365P-65
123642	55060P
68326014	54220P
RC4414550	54773P-65
RC4414552	54771P-65
RC4414557	54775P-65
RC4414572	54770P-65
RC4414573	54769P-65
<b>Bendix</b>	
141269	54103P
141270	54351P
141271	54102P
141272	54301P
141273	54251P
141274	54255P
141275	54360P
141276	54352P
141475	54770P-65
141476	54769P-65

Manufacturer's Part Number	Webb Part Number
<b>Bendix</b>	
141493	54256P
141494	54771P-65
141585	54104P
141608	54281P
141874	54106P
145086	54773P-65
145348	54773P-65
<b>Bluebird</b>	
1459908	54291P
1459957	54292P
<b>Centric</b>	
120.79014	54351P
120.79015	54103P
120.80001	54301P
120.80004	54104P
120.80008	54102P
120.80011	54106P
120.83001	54251P
120.83002	54255P
120.83014	54773P-65
120.83016	54769P-65
<b>Conmet</b>	
10003830	54771P-65
<b>Dana</b>	
W19WA102	54770P-65
<b>Euclid</b>	
E-11320	54106P
E-12517	54365P-65
E-12524	54775P-65
E-4227	54103P
E-4228	54351P
E-4229	54102P
E-4230	54301P
E-4231	54251P
E-4232	54255P
E-4233	54360P
E-4234	54352P
E-4243	54281P
E-4247	54771P-65
E-6114	54769P-65
E-6115	54770P-65
E-8902	54256P

Manufacturer's Part Number	Webb Part Number
<b>Euclid</b>	
E-9804	54104P
E-9809	54106P
<b>Ford</b>	
E3HZ-1102A	54351P
E3HZ-1125A	54103P
E3HZ-1125C	54360P
E3HZ-1125D	54352P
<b>GMC</b>	
15514357	54301P
15514406	54301P
15515786	54103P
15515789	54104P
15619954	54102P
15661543	54106P
<b>Gunite</b>	
DD3312	54281P
D6052	54301P
D6054	54103P
D6054C	54103P
D6054A	54104P
D6054C	54105P
D6115	54282P
D6115A	54280P
D6121	54282P
D6121A	54280P
D6128A	54255P
D6133	54771P-65
D6145	54281P
D6151	54771P-65
D6153	54773P-65
D6175	54771P-65
D6176M	54773P-65
D6183	54771P-65
D6194A	54770P-65
D6194AM	54770P-65
D6194M	54776P-65
<b>Navistar/International</b>	
1646750C1	54771P-65
1646770C1	54770P-65
1646770C2	54770P-65
1648517C1	54256P
2007173C1	54773P-65

Manufacturer's Part Number	Webb Part Number
<b>Navistar/International</b>	
2007173C2	54773P-65
2505097C1	54770P-65
2594594C1	54769P-65
2594595C1	54773P-65
2594596C1	54771P-65
3531661C2	54769P-65
3531662C2	54773P-65
3531663C2	54771P-65
573922C1	54769P-65
573922C2	54769P-65
582029C1	54281P
589843C1	54251P
<b>Oshkosh</b>	
3H5753	54770P-65
<b>Performance Friction</b>	
38108120	54773P-65
381.082.20	54773P-65
381.089.20	54769P-65
38108930	54770P-65
381.089.30	54770P-65
381.113.20	54771P-65
39008620	54775P-65
390.086.20	54775P-65
39019320	54365P-65
390.193.20	54365P-65
<b>Raybestos</b>	
8510	54301P
8512	54102P
8514	54103P
8516	54351P
8517	54352P
8518	54255P
8520	54251P
8521	54769P-65
8523	54770P-65
8526	54256P
8530	54771P-65
8532	54773P-65
8533	54106P
8537	54773P-65
<b>Volvo</b>	
3946485	54102P



## DISC BRAKE ROTOR CROSS REFERENCE SECTION



Manufacturer's Part Number	Webb Part Number
<b>Volvo</b>	
3946486	54301P
<b>Wagner</b>	
BS125085	54103P
BD125086	54352P
BD125088	54102P
BD125090	54301P
BD125096	54251P
BD125097	54771P-65
BD125214	54351P
BD125244	54256P
BD125339	54106P
BD125361	54769P-65
BD125362	54770P-65
BD125484	54773P-65



## BRAKE DRUM CROSS REFERENCE SECTION

Manufacturer's Part Number	Webb Part Number
<b>ARVINMERITOR/DAYTON</b>	
120001	67518F
120004	68940F
120014	61730F
120017	67518F
120025	OBS 68416F
120030	OBS 68922F
120031	OBS 61517F
120038	67518F
120040	68730F
120046	67518F
120046	OBS 67517F
120059	OBS 61777F
120060	64105F
120061	61548F
120062	64016F
120063	62200F
120063	OBS 66200F
120064	68946F
120069	61601F
120070	61600B**
120070	OBS 61610F
120070	OBS 67403B
120075	OBS 68983F
120083	OBS 68983F
120086	61730F
120088	67205F
120092	64105F
120100	OBS 64485F
120102	OBS 68983F
120103	OBS 65511B
120104	OBS 68955F
120106	62200F
120106	OBS 66200F
120107	67518F
120108	64425F
120109	OBS 64402F
120110	OBS 64401F
120116	61601F
120118	OBS 63423F
120120	64413F

Manufacturer's Part Number	Webb Part Number
<b>ARVINMERITOR/DAYTON</b>	
120121	61595F**
120122	OBS 68955F
120127	OBS 68862F
120140	61733F
120140	OBS 61723F
120142	61733F
120142	OBS 61723F
120148	OBS 63411F
120149	61791F
120152	61780F
120153	OBS 63430F
120155	68897F
120156	OBS 68896F
120172	68732F
120184	OBS 64465F
120186	68882F
120187	OBS 68895F
120188	OBS 68898F
120189	OBS 68898F
120190	68942F
120196	68942F
120197	61601F
120204	OBS 62562F
120206	66899B
120207	OBS 64031F
120212	66899B
120219	66899B
120245	OBS 64455F
120265	68731F
120271	61854F
120274	OBS 64566F
120280	OBS 66848F
120284	OBS 64416F
120286	62240F
120287	OBS 64421F
120291	64426F
120296	OBS 64434F
120297	OBS 64484F
120299	OBS 61598F
120312	62199F

Manufacturer's Part Number	Webb Part Number
<b>ARVINMERITOR/DAYTON</b>	
120329	61600B**
120330	OBS 64486F
120331	64448F
120337	61600B**
120337	OBS 67403B
120347	63617F
120367	OBS 66200F
120369	68730F
120375	64018F
120376	68927F
120379	68921F
120380	OBS 64480F
120389	67518F
120391	61600B**
120396	61548F
120401	OBS 61957F
120402	OBS 61952F
120404	OBS 61627F
120405	OBS 61628F
120406	OBS 64009F
120408	OBS 64004F
120411	61612F**
120422	61727F
120427	OBS 68001F
120435	61727F
120436	61606F**
120439	OBS 61774F
120440	61606F**
120441	61612F**
120442	61727F
120444	61566F
120446	OBS 61627F
120451	61730F
120451	68903F
120451	OBS 61728F
120451	OBS 68982F
120451	OBS 68983F
120459	64406F
120460	61548F
120470	OBS 68922F

<sup>1</sup>When replacing existing drums in the field, ensure adequate wheel stud thread engagement.

<sup>2</sup>Webb brake drums are interchangeable with Motor Wheel brake drums; however, in some Motor Wheel assemblies the stud may have to be changed to accommodate the thicker backplate of the Webb brake drum. This is necessary when only the brake drum is being replaced.

\*\*Will become obsolete when current inventory is depleted. Call for availability - if purchased, parts are non-returnable.

## BRAKE DRUM CROSS REFERENCE SECTION



Manufacturer's Part Number	Webb Part Number
<b>ARVINMERITOR/DAYTON</b>	
120479	61600B**
120479	OBS 67403B
120490	61595F**
120493	63637F
120494	64404F
120499	OBS 66847F
120501	68942F
120507	OBS 61503F
120516	61566F
120517	OBS 64420F
120519	OBS 63437F
120528	OBS 64450F
120531	OBS 61545F
120532	OBS 61598F
120535	68927F
120537	64404F
120542	OBS 64497F
120546	68946F
120553	64408F**
120556	OBS 64428F
120566	64426F
120568	OBS 61618F
120570	OBS 62057F
120572	OBS 64433F
120573	61600B**
120573	OBS 61610F
120574	62240F
120581	OBS 61517F
120582	OBS 63650F
120586	68765F
120587	OBS 64429F
120588	OBS 64430B
120597	OBS 67518F
120601	OBS 68882F
120603	OBS 61566F
120627	OBS 61598F
120635	OBS 61600F
120643	OBS 68765F
120660	61566F
120661	64448F

Manufacturer's Part Number	Webb Part Number
<b>ARVINMERITOR/DAYTON</b>	
120662	OBS 64437F
120663	OBS 64493F
120664	68730F
120664	68765F
120666	OBS 64566F
12069	61601F
120693	64028F
120704	OBS 64421F
120705	64018F
120706	OBS 64416F
120709	OBS 68902F
120728	68897F
120732	OBS 64410F
120734	OBS 64409F
120743	68897F
120745	61599F**
120754	61780F
120764	OBS 67598F
120782	62200F
120816	OBS 64490F
120822	63617F
120822	63647F
120837	OBS 68983F
120846	OBS 64431F
120855	65516B
120856	OBS 65515B
120863	OBS 61547F
120877	60876F
120882	68891F
120884	67205F
120889	OBS 61575F
120933	61548F
120936	61788F
120947	62358F
120958	OBS 63258F
120976	63436F
120980	64414F
120981	64481F
120988	68988F
121040	68765F

Manufacturer's Part Number	Webb Part Number
<b>ARVINMERITOR/DAYTON</b>	
12119	OBS 62119F
121299	OBS 61598F
121376	68927F
12142	OBS 62142F
122003	63410F
122006	63427F
122009	62997F
122011	63035F
122027	68012F
122032	OBS 64419F
122036	68036F
122038	62115B
122041	OBS 64418F
122045	64417F
122046	62117F
122062	64016F
122077	OBS 61624F
122078	64478F
122079	68981B
12208	OBS 65515B
122083	68981B
122084	61600B**
122084	OBS 67403B
122085	OBS 65515B
122087	68882F
122095	62117F
122100	OBS 63030B
122101	63031B
122102	OBS 68983F
122103	68730F
122103	68732F
122103	68765F
122104	65514B
122118	65256B
122120	64413F
122126	68730F
122128	OBS 66861F
122145	61855F
122149	OBS 61544F
122153	68981B

<sup>1</sup>When replacing existing drums in the field, ensure adequate wheel stud thread engagement.

<sup>2</sup>Webb brake drums are interchangeable with Motor Wheel brake drums; however, in some Motor Wheel assemblies the stud may have to be changed to accommodate the thicker backplate of the Webb brake drum. This is necessary when only the brake drum is being replaced.

\*\*Will become obsolete when current inventory is depleted. Call for availability - if purchased, parts are non-returnable.



## BRAKE DRUM CROSS REFERENCE SECTION

Manufacturer's Part Number	Webb Part Number
<b>ARVINMERITOR/DAYTON</b>	
122155	67518F
122158	OBS 67598F
122159	OBS 61517F
122169	62115B
122175	64413F
122182	61600B**
122182	OBS 67403B
122194	68013F
122194	68730F
122199	OBS 64479F
122200	OBS 64457F
122201	68732F
122222	67518F
122231	68946F
122239	68013F
122242	OBS 61517F
122244	OBS 67598F
122258	68946F
122266	62117F
122267	62117F
122269	67397F
122276	63647F
122282	OBS 61517F
122283	63617F
122284	68946F
122287	OBS 67405B
122290	68012F
122296	63294B
122296	63294F
122297	63294B
122297	63294F
122300	62997
122314	64453F
122322	62358F
122326	61599F**
122327	61606F**
122328	61780F
122329	61780F
122331	OBS 67407B
122332	OBS 67156B

Manufacturer's Part Number	Webb Part Number
<b>ARVINMERITOR/DAYTON</b>	
122334	OBS 67101B
122340	OBS 67415B
12236	61730F
12236	OBS 61728F
122365	OBS 61555F
122374	68981B
122376	63617F
122376	63647F
122384	OBS 64498F
122430	62997F
122450	61548F
122453	66852F
122453	66892F
122454	OBS 68895F
122454	68940F
122455	68882F
122455	68942F
12246	61730F
12246	OBS 61728F
122461	OBS 66461F
122469	OBS 64015F
122488	62358F
122490	68981B
122500	OBS 64428F
122501	64408F**
122502	68882F
122502	68942F
122505	64483B
122506	68921F
122513	66817F
122514	63436F
122516	OBS 61659F
122518	68730F
122529	61529F
122532	68765F
122548	66895B
122550	66895B
122552	OBS 65549B
122554	65651B
122556	65167B

Manufacturer's Part Number	Webb Part Number
<b>ARVINMERITOR/DAYTON</b>	
122560	68882F
122560	68942F
122561	64404F
122562	64405F
122563	OBS 64401F
122567	61566F
122568	64426F
122569	68036F
122570	63427U
122573	65256B
122575	64414F
122576	63436F
122580	OBS 66580F
122592	OBS 64479F
122593	64478F
122597	64425F
122600	68897F
122601	68981B
122601	OBS 68416F
122602	61599F**
122603	68760F
122604	68882F
122604	68942F
122606	63637F
122607	66893F
122607	OBS 66853B
122611	OBS 68895F
122611	68940F
122643	62200F
122649	64028F
122650	OBS 61659F
122655	63035F
122667	68730F
122668	OBS 61857F
122668	OBS 61863F
122683	68981B
122686	61855F
122696	OBS 66202F
122730	64477F
122735	65735F

\*When replacing existing drums in the field, ensure adequate wheel stud thread engagement.

\*\*Webb brake drums are interchangeable with Motor Wheel brake drums; however, in some Motor Wheel assemblies the stud may have to be changed to accommodate the thicker backplate of the Webb brake drum. This is necessary when only the brake drum is being replaced.

\*\*Will become obsolete when current inventory is depleted. Call for availability - if purchased, parts are non-returnable.

## BRAKE DRUM CROSS REFERENCE SECTION



Manufacturer's Part Number	Webb Part Number
<b>ARVINMERITOR/DAYTON</b>	
122736	61536F
122744	68765F
122749	OBS 64115F
122750	OBS 64113F
122752	66852F
122752	66892F
122778	OBS 64113F
122779	OBS 64113F
122780	OBS 64015F
122781	OBS 64015F
122782	68882F
122782	68942F
122799	68891F
122802	OBS 64082F
122804	OBS 64401F
122806	OBS 61586F
122808	OBS 64113F
122809	OBS 64115F
122810	67615B
122811	OBS 64401F
122812	OBS 64113F
122813	OBS 64015U
122818	OBS 64215F
122819	63637F
122822A	67518F
122853	67518F
122854	62200F
122854	OBS 66200F
122860	62115B
122861	63294B
122861	63294F
122905	62200F
122905	OBS 66200F
122921	65546B
122924	OBS 63652F
122925	68958F
122948	66865B
122959	64444F
122960	OBS 63435F
122963	63617F

Manufacturer's Part Number	Webb Part Number
<b>ARVINMERITOR/DAYTON</b>	
122963	63647F
122966	65174B
122971	63637F
122978	66893F
122978	OBS 66853B
122986	66865B
122990	68765F
122993	63650F
122996	68765F
123020	64489F
123021	68989
123022	66864F
123025	66250F
123039	68981B
123043	66817F
123044	66817F
123058	68732F
123200	62997F
123203	63035F
123207	66864B
123207	66864F
123207	76864B
123207	77864BW
123207	OBS 69996B
123219	66350F
123254	61528B
123278	67598
123297	66865B
123306	64466F
123302	66366B
123307	64449F
123308	OBS 64072F
123312	65541B
123315	61591F
123318	OBS 64471F
123330	OBS 66810F
123331	66830
123363	66884B
123365	66884F
123366	61527B

Manufacturer's Part Number	Webb Part Number
<b>ARVINMERITOR/DAYTON</b>	
123368	68958B
123370	65710B
123371	65710B
123376	66893F
123376	OBS 66853B
123377	OBS 65155B
123382	61528B
123383	65710B
123388	65710B
123391	66865B
123396	61527B
123397	OBS 66874B
123399	65152B
123400	65162F
123404	66864B
123404	66864F
123404	76864B
123404	77864BW
123404	OBS 69996B
123406	66834F
123409	66875
123412	OBS 66874B
123413	61527B
123415	60876F
123416	66864F
123416	66884F
123416	76864B
123416	77864BW
123417	62200F
123417	OBS 66200F
123418	62240F
123419	68942F
123420	61528B
123421	61527B
123422	60876F
123427	65266B
123428	66814F
123430	62997F
123431	65514B
123448	65554B

<sup>1</sup>When replacing existing drums in the field, ensure adequate wheel stud thread engagement.

<sup>2</sup>Webb brake drums are interchangeable with Motor Wheel brake drums; however, in some Motor Wheel assemblies the stud may have to be changed to accommodate the thicker backplate of the Webb brake drum. This is necessary when only the brake drum is being replaced.

\*\*Will become obsolete when current inventory is depleted. Call for availability - if purchased, parts are non-returnable.



## BRAKE DRUM CROSS REFERENCE SECTION

Manufacturer's Part Number	Webb Part Number
<b>ARVINMERITOR/DAYTON</b>	
123463	65163F
123463	65609B
123466	61988
123512	61528B
123512	65547B <sup>1</sup>
123520	66800F
123520	66808B
123535	66800B <sup>1</sup>
123537	66864B <sup>1</sup>
123537	66884B <sup>1</sup>
123537	76864B <sup>1</sup>
123537	77864BW <sup>1</sup>
123537	OBS 69996B
123538	68985
123542	65548B <sup>1</sup>
123544	66854B <sup>1</sup>
123556	65609
123561	66364B
123564	69564B <sup>1</sup>
123565	66895B <sup>1</sup>
123566	66875B <sup>1</sup>
123567	61527B <sup>1</sup>
123568	65545B
123568	65565B
123569	65600B <sup>1</sup>
123570	66809B
123570	66854B
12358	62358F
123587	68730
123627	65710B
123652	66884
12422	61730F
12422	61730F
12422	62240F
12422	68903F
12422	OBS 61728F
12422	OBS 61728F
12422	OBS 68982F
12422	OBS 68983F
124220	OBS 61728F

Manufacturer's Part Number	Webb Part Number
<b>ARVINMERITOR/DAYTON</b>	
12439	OBS 62439F
12453	61730F
12453	OBS 61728F
12456	62240F
12460	61854F
12480	61730F
12480	68903F
12480	68903F
12480	OBS 61728F
12480	OBS 68982F
12480	OBS 68983F
12517	67518F
12559	OBS 67517F
12567	OBS 68916F
12580	OBS 68955F
12582	62200F
12582	OBS 66200F
12587	OBS 68916F
12589	OBS 68922F
12590	61730F
12603	OBS 62119F
12653	67518F
12677	67518F
12725	OBS 68955F
12730	61730F
12730	OBS 61728F
12734	67537F
12737	62199F
12741	OBS 68665F
12742	68765F
12743	61856F
12748	68903F
12752	OBS 68895F
12757	OBS 68955F
12761	OBS 68955F
12763	61730F
12795	OBS 68955F
12816	68730F
12817	OBS 61858F
12833	68730F

Manufacturer's Part Number	Webb Part Number
<b>ARVINMERITOR/DAYTON</b>	
12859	OBS 68922F
12869	OBS 67517F
12881	68927F
12889	OBS 68982F
12889	OBS 68983F
12895	OBS 68983F
12896	67518F
12907	OBS 68983F
12910	68882F
12915	OBS 68983F
12916	OBS 68983F
12920	OBS 68955F
12931	61730F
12931	OBS 61728F
12934	OBS 64424F
12942	OBS 68898F
12943	OBS 68895F
12948	68946F
12953	OBS 68983F
12970	OBS 67517F
12976	OBS 64490F
12995	OBS 68902F
12996	68942F
3219-A-1795	62200F
3219-A-2341	67205F
3219-A-3849	65542B
3219-A-3979	65157B
3219-A-4265	65169B
3219-A-4291	66852F
3219-A-5123	65004A
3219-A-5825	66814F
3219A5903X	61988B
3219-B-1614	OBS 61858F
3219-B-2030	OBS 64001F
3219-B-2108	66899B
3219-B-2342	67205F
3219-B-3694	67205F
3219-B-3902	68848F
3219-B-3980	65167B
3219-B-4006	65169B

<sup>1</sup>When replacing existing drums in the field, ensure adequate wheel stud thread engagement.

<sup>2</sup>Webb brake drums are interchangeable with Motor Wheel brake drums; however, in some Motor Wheel assemblies the stud may have to be changed to accommodate the thicker backplate of the Webb brake drum. This is necessary when only the brake drum is being replaced.

\*\*Will become obsolete when current inventory is depleted. Call for availability - if purchased, parts are non-returnable.



## BRAKE DRUM CROSS REFERENCE SECTION



Manufacturer's Part Number	Webb Part Number
<b>ARVINMERITOR/DAYTON</b>	
3219-B-4214	66896F
3219-B-4266	65169B
3219-B-4552	66896F
3219-C-1537	68731F
3219-C-2802	68731F
3219-C-2811	OBS 64009F
3219-C-2889	68733F
3219-C-3903	68848F
3219-C-3929	65541B
3219-C-3981	65167B
3219-C-4007	65169B
3219-C-4397	OBS 64015F
3219-C-4553	66896F
3219-C-5099	64041F
3219-C-5853	65600B
3219-D-1432	66899B
3219-D-2084	OBS 64031F
3219-D-2496	OBS 61555F
3219-D-2812	OBS 64009F
3219-D-2942	OBS 64442F
3219-D-3748	OBS 64033F
3219-D-4268	64047F
3219-D-4398	64017F
3219-D-5100	OBS 64112F
3219-E-1462	64003U
3219-E-2319	OBS 64463F
3219-E-2449	62200F
3219-E-2943	OBS 64442F
3219-E-3567	65651B
3219-E-3983	64041F
3219-F-1462	OBS 64003F
3219-F-1462	OBS 64113F
3219-F-1618	OBS 64009F
3219-F-1644	OBS 61852F
3219-F-2190	68927F
3219-F-2450	62200F
3219-F-2450	OBS 66200F
3219-F-2684	OBS 64003F
3219-F-2684	OBS 64004F
3219-F-3490	66896F

Manufacturer's Part Number	Webb Part Number
<b>ARVINMERITOR/DAYTON</b>	
3219-F-3568	65651B
3219-F-3932	61591F
3219-F-3984	64041F
3219-F-5128	64073F
3219-G-1463	OBS 64001F
3219-G-2113	OBS 66881B
3219-G-2347	66899B
3219-G-2685	OBS 64004F
3219-G-3569	65551B
3219-G-3907	OBS 64033F
3219-G-3933	66852F
3219-G-3933	66892F
3219-G-3985	65542B
3219-G-4037	64041F
3219-G-4895	OBS 66868F
3219-G-4973	64073F
3219-G-5103	OBS 64118F
3219-G-5129	OBS 64119F
3219-H-1542	66899B
3219-H-2114	OBS 66881B
3219-H-2166	66899B
3219-H-2296	OBS 66810F
3219-H-2448	OBS 67517F
3219-H-2582	OBS 61547F
3219-H-2738	OBS 61547F
3219-H-2920	OBS 64441F
3219-H-2946	OBS 64459F
3219-H-3492	OBS 61583F
3219-H-3570	65551B
3219-H-3934	61591F
3219-H-4090	64038F
3219-J-1544	66899B
3219-J-2194	68927F
3219-J-2584	OBS 61547F
3219-J-2610	68891F
3219-J-2922	OBS 61604F
3219-J-2948	OBS 64459F
3219-J-3078	62200F
3219-J-3936	66852F
3219-J-3936	66892F

Manufacturer's Part Number	Webb Part Number
<b>ARVINMERITOR/DAYTON</b>	
3219-J-4222	64041F
3219-J-4742	65541B
3219-K-2065	61850F
3219-K-2741	67205F
3219-K-4067	61850F
3219-K-4145	61862F
3219-K-5809	66800F
3219-K-5809	66808B
3219-L-1754	OBS 64001F
3219-L-2040	OBS 67519F
3219-L-2404	OBS 65250F
3219-L-3366	OBS 64004F
3219-L-3964	64035F
3219-L-4458	OBS 65004F
3219-L-4510	66896F
3219-M-2015	66899B
3219-M-2041	OBS 67519F
3219-M-2067	68733F
3219-M-2405	OBS 65250F
3219-M-2847	OBS 61547F
3219-M-2925	66096F
3219-M-3003	OBS 61602F
3219-M-3289	OBS 64004F
3219-M-3367	OBS 64001F
3219-M-3965	64035F
3219-M-4147	68733F
3219-M-4511	66896F
3219-M-4615	64115A
3219-M-4693	66822F
3219-M-4875	OBS 64119F
3219-N-2068	61862F
3219-N-2926	66096F
3219-N-2978	OBS 62699B
3219-N-3004	67537F
3219-N-4044	OBS 64117F
3219-N-4070	66852F
3219-N-4070	66883F
3219-N-4798	68731F
3219-P-1602	68765F
3219-P-1628	OBS 64004F

<sup>1</sup>When replacing existing drums in the field, ensure adequate wheel stud thread engagement.

<sup>2</sup>Webb brake drums are interchangeable with Motor Wheel brake drums; however, in some Motor Wheel assemblies the stud may have to be changed to accommodate the thicker backplate of the Webb brake drum. This is necessary when only the brake drum is being replaced.

\*\*Will become obsolete when current inventory is depleted. Call for availability - if purchased, parts are non-returnable.



## BRAKE DRUM CROSS REFERENCE SECTION

Manufacturer's Part Number	Webb Part Number
<b>ARVINMERITOR/DAYTON</b>	
3219-P-1784	OBS 64001F
3219-P-2356	62200F
3219-P-2850	OBS 61602F
3219-P-2928	OBS 62928F
3219-P-4072	66852F
3219-P-4072	66883F
3219-P-4280	65551B
3219-P-4462	OBS 64004F
3219-Q-2045	66899B
3219-Q-2357	OBS 64015F
3219-Q-2383	OBS 66891F
3219-Q-2591	OBS 61602F
3219-Q-2929	OBS 62928F
3219-Q-3501	OBS 64003F
3219-Q-4229	66852F
3219-Q-4229	66892F
3219-Q-4255	64017F
3219-Q-4463	OBS 64009F
3219-Q-979	OBS 66881B
3219-R-1604	68765F
3219-R-2202	66899B
3219-R-2228	68730F
3219-R-2280	68891F
3219-R-2436	OBS 61555F
3219-R-2566	OBS 61852F
3219-R-2930	62200F
3219-R-3320	OBS 64004F
3219-R-3486	OBS 61573B
3219-R-3944	66812F
3219-R-4204	OBS 64463F
3219-R-4282	61591F
3219-R-980	OBS 66881B
3219-S-1605	68730F
3219-S-1657	66899B
3219-S-2281	68891F
3219-S-2437	OBS 61555F
3219-S-2567	61862F
3219-S-2671	OBS 64117F
3219-S-2775	61850F
3219-S-2981	68891F

Manufacturer's Part Number	Webb Part Number
<b>ARVINMERITOR/DAYTON</b>	
3219-S-3945	66812F
3219-S-4075	64035F
3219-S-4543	66852F
3219-S-4543	66892F
3219-S-4907	64057F**
3219-T-1658	66899B
3219-T-1944	62200F
3219-T-2048	67537F
3219-T-2486	67518F
3219-T-3270	OBS 64015F
3219-T-3452	68844F
3219-T-4076	64035F
3219-T-4544	66852F
3219-T-4544	66892F
3219-T-5038	68844F
3219-T-5792	OBS 65150B
3219-U-2569	61850F
3219-U-2778	68733F
3219-U-3921	66896F
3219-U-4493	OBS 64115F
3219-U-4545	68848F
3219-U-4779	OBS 64046F
3219-U-4883	OBS 64112F
3219-V-1426	OBS 66200F
3219-V-2336	OBS 67519F
3219-V-2882	68731F
3219-V-3324	OBS 64112F
3219-V-3688	63688F
3219-V-3714	66895B
3219-V-3922	66896F
3219-V-4078	65157B
3219-V-4260	64017F
3219-V-4260	OBS 64117F
3219-V-4468	66812F
3219-V-4494	OBS 64113F
3219-V-4546	68848F
3219-V-4780	OBS 64048F
3219V5898	66884F
3219-W-1137	62200F
3219-W-1427	62200F

Manufacturer's Part Number	Webb Part Number
<b>ARVINMERITOR/DAYTON</b>	
3219-W-2259	67205F
3219-W-2623	68733F
3219-W-3013	61862F
3219-W-3325	OBS 64015F
3219-W-3325	OBS 64115F
3219-W-3689	62200F
3219-W-4053	OBS 64015F
3219-W-4261	66812F
3219-W-4493	64115A
3219-W-4495	OBS 64117F
3219-W-5821	66864F
3219-W-5821	76864B
3219-W-5821	77864BW
3219-X-2208	OBS 64031F
3219-X-2364	67537F
3219-X-3690	68733F
3219-X-4262	66812F
3219-X-4782	OBS 64112F
3219-X-5120	OBS 64046F
3219-Y-2209	66899B
3219-Y-3561	66895B
3219-Y-4055	OBS 64015F
3219-Y-441	OBS 61860F
3219-Y-441	OBS 61860F
3219-Y-4809	OBS 66868F
3219-Y-5121	OBS 64048F
3219-Y-5797	66364B
3219-Y-5823	61992F
3219-Z-1768	OBS 62699B
3219-Z-3328	OBS 64113F
3219-Z-3510	OBS 64015F
3219-Z-3978	65157B
3219-Z-4264	65169B
3219-Z-4290	66852F
3219-Z-4290	66892F
3219-Z-5122	66812F
3219-Z-5798E	OBS 64051F
3219-Z-5798X	OBS 64051F
4219-E-3489	66896F
4219-G-3491	OBS 61583F

\*When replacing existing drums in the field, ensure adequate wheel stud thread engagement.

<sup>2</sup>Webb brake drums are interchangeable with Motor Wheel brake drums; however, in some Motor Wheel assemblies the stud may have to be changed to accommodate the thicker backplate of the Webb brake drum. This is necessary when only the brake drum is being replaced.

\*\*Will become obsolete when current inventory is depleted. Call for availability - if purchased, parts are non-returnable.



## BRAKE DRUM CROSS REFERENCE SECTION



Manufacturer's Part Number	Webb Part Number
<b>ARVINMERITOR/DAYTON</b>	
4219-P-4930	OBS 61590F
4219-Z-3848	65541B
61120594	66866B
85-123207-002	77864BW
85-123382-002	77528B
85-123383-002	77710B
85-123520-002	77800BW
85-123570-002	77854BW
B3219-B-5826	65119B
B3219-C-4397	64015B
B3219-C-5099	64041B
B3219-D-4398	64017B
B3219-D-5100	64112B
B3219-D-5802	66866B
B3219-D-5802	66886B
B3219-F-5128	64073B
B3219-G-5103	64118B
B3219-G-5129	64119B
B3219-G-5857	65551B
B3219-M-3965	64035B
B3219-U-4493	64115B
B3219-U-5897	66801B**
B3219-W-4495	64117B
B3219-X-5796	64120B
B-3219-X-5796	64120B
B3219-Y-5121	64048B
HD1	66864
HD2	66893
HD3	66895
HD4	67518
HD5	62200
HD6	61528
HD7	68981
HD8	68730
HD11	61788
HD12	60876
HD13	68765
HD14	61527
HD15	61780
HD16	65547

Manufacturer's Part Number	Webb Part Number
<b>ARVINMERITOR/DAYTON</b>	
HD17	65548
HD18	65710
HD19	65152
HD20	66873
HD21	66884
HD22	63647
HD23	66875
HD24	63637
R930161	64125F
<b>AWECO</b>	
91028	66637F
<b>BALKAMP- SEE NAPA/BALKAMP</b>	
<b>BLUEBIRD</b>	
1034669	65169B
1034685	64047F
1117340	66883B
1117357	65169B
1117365	65651B
1145465	64047B
1163757	65516B
1163757	65516B
1460062	65670B
1460112	68730B
1460187	65541B
1460195	65514B
1554765	66867B
1554773	64045B
1573401	66826B
1573419	66828B
1579200	66827B
1583384	65167B
1594449	66827B
1638030	67525F
1714377	65163B
1827906	65179B
2120244	68981B
2137222	66812B
2137453	66899B
2137586	66852F

Manufacturer's Part Number	Webb Part Number
<b>BLUEBIRD</b>	
2137586	66892F
2137594	OBS 64463F
2137602	OBS 64459F
2137610	68981B
2137636	65516B
2161131	64444F
2161156	68887B
2161164	64466F
2161180	68958B
2601565	65169B
2601664	OBS 64031F
2602068	65651B
2602167	66852F
2602167	66892F
2602464	OBS 61517F
2642692	OBS 64463F
2647352	64047F
2647360	66883F
2704823	65516B
3603066	66899B
4524328	65541B
4524336	OBS 66874B
4580155	65167B
4580163	66892B
8303943	61958B
8304057	61989B
<b>BUDD- SEE MOTOR WHEEL/BUDD</b>	
<b>CHEVROLET/GMC</b>	
12386602	66873B
15510542	64425F
15510552	OBS 64566F
15514038	68036F
15514039	OBS 64106F
15514041	OBS 64409F
15514056	68036F
15514117	OBS 64410F
15514155	64105F
15514208	OBS 64498F
15514238	OBS 64489F

<sup>1</sup>When replacing existing drums in the field, ensure adequate wheel stud thread engagement.

<sup>2</sup>Webb brake drums are interchangeable with Motor Wheel brake drums; however, in some Motor Wheel assemblies the stud may have to be changed to accommodate the thicker backplate of the Webb brake drum. This is necessary when only the brake drum is being replaced.

\*\*Will become obsolete when current inventory is depleted. Call for availability - if purchased, parts are non-returnable.



## BRAKE DRUM CROSS REFERENCE SECTION

Manufacturer's Part Number	Webb Part Number
<b>CHEVROLET/GMC</b>	
15514253	64404F
15514270	64405F
15514274	OBS 64401F
15514346	68013F
15515719	64477F
15515752	64477F
15532789A	61511F
15577917	63032F
15579641	68765B
15579641	68765F
15581250	61511F
15616063	66865B
15619973	65546B
15633317	66865B
2005150	68730F
2005151	68730F
2009035	OBS 64457F
2009048	68036F
2014318	OBS 64115F
2014322	68013F
2014527	OBS 64479F
2018457	OBS 61544F
2025343	OBS 64419F
2028747	68012F
2034948	64453F
2057139	67415F
2057139	68730F
2081332	OBS 64048F
2081333	OBS 64046F
2093128	64478F
2093187	63032F
2099011	OBS 68037F
2099012	68013F
2099865	64432F
2099866	64403F
2107514	OBS 64004F
2108977	OBS 64001F
2120097	OBS 64004F
2139621	OBS 64004F
2147418	OBS 64003F

Manufacturer's Part Number	Webb Part Number
<b>CHEVROLET/GMC</b>	
2147419	OBS 64001F
2149943	OBS 64004F
2149945	OBS 64003F
2201483	OBS 64003F
2201484	OBS 64001F
2202510	OBS 64004F
2214945	OBS 64003F
2214946	OBS 64001F
2214947	OBS 64004F
2220402	61730F
2221259	OBS 64004F
2222088	61730F
2232442	OBS 64001F
224580	61548F
2247418	OBS 64003F
2254439	62358F
2260884	61730F
2263890	OBS 68955F
2268592	OBS 64001F
2294382	OBS 64009F
2294492	OBS 64004F
2294982	OBS 64009F
2296749	61548F
2299353	OBS 64009F
2305112	OBS 64004F
2305113	OBS 64009F
2322628	OBS 66881B
2328265	OBS 62142F
2329248	OBS 68922F
2329255	OBS 64424F
2330388	OBS 67519F
2330728	OBS 68955F
2333898	OBS 64424F
2335241	OBS 64424F
2336402	OBS 68922F
2336413	OBS 64433F
2336417	OBS 64424F
2336421	OBS 68922F
2369827	OBS 64015F
2376023	68940F

Manufacturer's Part Number	Webb Part Number
<b>CHEVROLET/GMC</b>	
2383665	OBS 68922F
2385926	OBS 61665F
2385974	OBS 66848F
2395375	61548F
2396596	64105F
2396749	61548F
2396985	64105F
2400276	64406F
2400572	64406F
2405349	64016F
2407837	OBS 61549F
2415956	64105F
2425956	64105F
2429108	OBS 61517F
2429144	OBS 61598F
2438445	OBS 61517F
2440854	OBS 64486F
2442154	OBS 61547F
2449296	68730F
2450084	OBS 65511B
2451128	OBS 64001F
2451130	OBS 64003F
2458664	68730F
2475453	OBS 64004F
2475454	OBS 64009F
2485348	OBS 68983F
2486746	OBS 68983F
2487965	67518F
2489836	OBS 61545F
2490577	OBS 64450F
2490589	OBS 61545F
2495113	OBS 64450F
2496624	64105F
2496629	64105F
2724410	68013F
2847965	67518F
348150	OBS 64418F
3724014	OBS 64402F
3726486	64425F
3726794	OBS 64004F

<sup>1</sup>When replacing existing drums in the field, ensure adequate wheel stud thread engagement.

<sup>2</sup>Webb brake drums are interchangeable with Motor Wheel brake drums; however, in some Motor Wheel assemblies the stud may have to be changed to accommodate the thicker backplate of the Webb brake drum. This is necessary when only the brake drum is being replaced.

<sup>\*\*</sup>Will become obsolete when current inventory is depleted. Call for availability - if purchased, parts are non-returnable.

## BRAKE DRUM CROSS REFERENCE SECTION



Manufacturer's Part Number	Webb Part Number
<b>CHEVROLET/GMC</b>	
3754314	64425F
3754316	OBS 64402F
3756313	OBS 64402F
3765646	OBS 64401F
3766948	64016F
3770863	OBS 64401F
3772950	64105F
3773639	64016F
3789918	OBS 64485F
3793430	64036F
3793431	64038F
3796608	64105F
3799946	64105F
3830968	OBS 64423F
3851534	61548F
3853607	61548F
3873477	64404F
3879546	64404F
3890149	64404F
3890150	64404F
3890151	64405F
3989810	OBS 64485F
3990030	64425F
3990034	OBS 64566F
3990046	64404F (10 HOLE)
3990046	64405F (6 HOLE)
3990048	64404F
3990053	64405F
3990060	64105F
3990073	OBS 64401F
3990075	OBS 64424F
3993564	64404F
3996623	64404F
3996644	OBS 64401F
3996655	64105F
3996668	64404F
3996669	64405F
3996671	OBS 64401F

Manufacturer's Part Number	Webb Part Number
<b>CHEVROLET/GMC</b>	
3996676	64016F
3996775	OBS 64485F
5737261	64425F
668881	OBS 65511B
677290	OBS 61598F
677291	61595F**
685880	68013F
685880	68765F
685881	OBS 68922F
692170	61595F**
692171	68765F
692172	OBS 68922F
704168	OBS 64410F
704169	OBS 64409F
710111	61548F
710112	61548F
711902	67518F
716384	OBS 68983F
717006	66893F
717006	OBS 66853B
724410	68013F
724464	68013F
724468	68013F
724470	OBS 64419F
790317	68036F
790371	68036F
791768	68765F
791769	OBS 61624F
793430	64036F
793431	64038F
795658	64478F
799399	68013F
799702	OBS 64419F
799743	OBS 64419F
8866338	OBS 64450F
8871134	OBS 61728F
8878204	64406F
8878484	64406F
<b>CONMET</b>	
10001776	66864B

Manufacturer's Part Number	Webb Part Number
<b>CONMET</b>	
10001776	76864B
10001776	77864BW
10001777	66895B
10001778	66864B
10001778	76864B
10001778	77864BW
10001779	66895B
10001781	65548B
10001783	61528B
10001783	77528B
10001800	66864B
10001800	76864B
10001800	77864BW
10001801	66875F
10001802	66873F
10001803	66895B
10005331	65710B
10005331	77710B
10005332	65151B
10009830	66864B
10009830	76864B
10009830	77864BW
10009920	65548B
10012097	66855B
10014756	65158b
10020147	65710b
10020147	77710B
10025912	66814
10025912	66834
107150	66864F
107150	76864B
107150	77864BW
107164	65548B
107193	65152B
107453	65151B
107453	65161B
107507	61527B
107507	61528B
107507	77528B
107637	66800B

<sup>1</sup>When replacing existing drums in the field, ensure adequate wheel stud thread engagement.

<sup>2</sup>Webb brake drums are interchangeable with Motor Wheel brake drums; however, in some Motor Wheel assemblies the stud may have to be changed to accommodate the thicker backplate of the Webb brake drum. This is necessary when only the brake drum is being replaced.

\*\*Will become obsolete when current inventory is depleted. Call for availability - if purchased, parts are non-returnable.



## BRAKE DRUM CROSS REFERENCE SECTION

Manufacturer's Part Number	Webb Part Number
<b>CONMET</b>	
107637	66800B
107637	77800BW
107638	66854B
107638	77854BW
107862	65154B
107863	61950B
107865	61999F
107866	61991F
107875	66875F
107885	66873B
107885	66873F
107885	66873F
107902	65543B
107904	66895B
<b>CRANE CARRIER</b>	
13-2-55-S	61600B**
364-174	67518F
364-176	OBS 65511B
364-177	OBS 68983F
364-197	OBS 61728F
364-198	OBS 61728F
364-41	OBS 61728F
77-43	65266B
77-54	61731
A-364-117	OBS 61517F
A-364-157	OBS 64437F
A-364-177	OBS 63437F
A-364-203	62240F
A-364-64	OBS 62562F
A-364-69	67518F
A-364-71	OBS 68983F
<b>DAIMLER/FREIGHTLINER</b>	
10-0158	OBS 61604F
10-0513	OBS 61602F
10-8123	OBS 61547F
10-9173	61600B**
11-523	68921F
11-9277	68921F
21-0153	OBS 61604F
A11-9724	OBS 61573B

Manufacturer's Part Number	Webb Part Number
<b>DAIMLER/FREIGHTLINER</b>	
A11-9725	66895B
AT-523	68921F
AT-523F	68921F
B-1471-1	68921F
WDM61576B	61576B
WDM61577B	61577B
WDM61950B	61950B
WWD61991B	61991B
WWD62671B	62671B
WWD65161B	65161B
WWD65545B	65565B
WWD65554B	65554B
WWD66800B	66800B
WWD66800B	66808B
WWD66854B	66809B
WWD66854B	66854B
WWD66864B	66864B
WWD66864B	76864B
WWD66864B	77864BW
<b>DANA</b>	
042WA102	68887B
075WA100	OBS 66367F
075WA102	OBS 68847F
17QJ483	61780F
813065	76864B
813065	77864BW
973816	76864B
973816	77864BW
974206	76864B
974206	77864BW
974318	76864B
974318	77864BW
976648	64078B
GGAWA100	OBS 65753F
M12WA101	63631F
M12WA105	63628F
M16WA100	62200F
M16WA105	OBS 66231F
M16WA109-1	64467F
M16WA117-13	OBS 66201F

Manufacturer's Part Number	Webb Part Number
<b>DANA</b>	
M16WA152	66895B
M16WA153-1	OBS 66818F
M16WA154-1	OBS 66879F
M16WA155	66250F
M16WA156	68730F
M16WA157-1	67518F
M16WA162	66884F
M16WA165	66864F
M16WA165	76864B
M16WA165	77864BW
M18WA102	OBS 61863F
S175WA100	65758B
W04WA101	65170B
W21WA101	61989B
W24WA100	66871B
WO3WA103	61958B
<b>DAYTON- SEE ARVINMERITOR/DAYTON</b>	
<b>DEXTER</b>	
009-042-01	62200
009-043-03	66864
009-116-01	63680
09-040-01	63631
9-116	63680
<b>DURABRAKE/DURAMETAL</b>	
1211	62358F
1214	OBS 62439F
1224	OBS 63645F
12365	63650F
1241	63635F
12414	OBS 63653F
1244	63631F
1245	63688F
12506	63654F
1251	63658F
12617	63647F
12634	63634F
12637	63637F
13111	OBS 63163F
1317	64430B

\*When replacing existing drums in the field, ensure adequate wheel stud thread engagement.

\*\*Webb brake drums are interchangeable with Motor Wheel brake drums; however, in some Motor Wheel assemblies the stud may have to be changed to accommodate the thicker backplate of the Webb brake drum. This is necessary when only the brake drum is being replaced.

\*\*Will become obsolete when current inventory is depleted. Call for availability - if purchased, parts are non-returnable.



## BRAKE DRUM CROSS REFERENCE SECTION



Manufacturer's Part Number	Webb Part Number
<b>DURABRAKE/DURAMETAL</b>	
1329	OBS 64429F
13303	OBS 64421F
13845	64425F
14011	OBS 63290F
14018	64018F
1403	64036F
14038	OBS 64046F
1404	64038F
14048	OBS 64048F
14054	OBS 64479F
14055	OBS 61542F
14057	OBS 61503F
1409	61601F
14094	OBS 64419F
1410	OBS 61605F
14106	64106
14111	OBS 61555F
14112	OBS 64442F
14115	64016F
14116	OBS 61545F
14119	OBS 61573B
1412	OBS 64455F
14124	64483F
14139	OBS 61659F
14153	65549B
14155	OBS 64427F
14156	65157B
14158	65541B
14159	OBS 65159F
14167	64403F
14169	64404F
1418	64408F**
14186	64453F
1419	OBS 64438F
14201	63035F
1421	61612F**
14223	64454F
14243	64413F
14244	64414F
14245	64444F

Manufacturer's Part Number	Webb Part Number
<b>DURABRAKE/DURAMETAL</b>	
14249	64449F
14252	OBS 64412F
14256	OBS 65156B
14259	OBS 64459F
1426	61526B
1426	61526F
14271	64426F
14274	OBS 65540B
14279	OBS 64418F
1428	61600B**
14285	OBS 64486F
14286	OBS 64485F
14313	OBS 63030B
14326	OBS 64460F
14391	61601F
14394	64016F
14395	OBS 61598F
1440	OBS 64402F
14402	OBS 64492F
14408	OBS 64410F
14409	OBS 64409F
14415	OBS 64415F
14417	64417F
1442	OBS 64401F
14422	OBS 64496F
1443	OBS 64420F
14446	OBS 65246F
14455	64445F
14456	OBS 64456F
14463	65256B
1450	OBS 61598F
14503	OBS 64004F
14504	OBS 64001F
14508	OBS 64009F
14512	OBS 64004F
14513	OBS 64015F
14513	OBS 64115F
14514	64017F
14515	OBS 64003F
14515	OBS 64113F

Manufacturer's Part Number	Webb Part Number
<b>DURABRAKE/DURAMETAL</b>	
14518	OBS 64117F
14519	OBS 64113F
14523	OBS 64115F
14525	OBS 64113F
14529	61529F
1453	64105F
14541	65541B
14542	65542B
1455	61606F**
1456	OBS 64441F
14566	61566F
14571	65514B
1459	61548F
1460	OBS 64450F
1461	OBS 62699B
14647	64481F
14668	61554F
14674	64489F
14682	65157B
1470	61595F**
1470	OBS 61597F
1471	OBS 61598F
14717	64408F**
14718	OBS 64407F
14735	65735F
14736	61536F
1474	OBS 61604F
14806	OBS 61586F
1481	OBS 61547F
14828	64028F
1483	OBS 61517F
1484	OBS 61517F
14848	64448F
1486	61606F**
14877	61599F**
14877	61606F**
1493	OBS 61573B
14930	OBS 61573B
1497	64406F
14971	61571F

<sup>1</sup>When replacing existing drums in the field, ensure adequate wheel stud thread engagement.

<sup>2</sup>Webb brake drums are interchangeable with Motor Wheel brake drums; however, in some Motor Wheel assemblies the stud may have to be changed to accommodate the thicker backplate of the Webb brake drum. This is necessary when only the brake drum is being replaced.

\*\*Will become obsolete when current inventory is depleted. Call for availability - if purchased, parts are non-returnable.



## BRAKE DRUM CROSS REFERENCE SECTION

Manufacturer's Part Number	Webb Part Number
<b>DURABRAKE/DURAMETAL</b>	
14972	OBS 61583F
14973	61591F
14974	61574F
14977	61577B
14977	61577F
1499	OBS 62562F
15055	OBS 62055F
15074	OBS 62074F
15112	OBS 64062F
15113	OBS 64089F
15115	OBS 64040F
15116	OBS 64059F
15152	OBS 63152F
15169	OBS 64469F
15177	OBS 64434F
15251	OBS 64465F
15802	OBS 64082F
15902	64065F
15989	OBS 62989F
1601	66096F
1602	OBS 66810F
16026	OBS 63240F
16033	OBS 64033F
1604	OBS 65250F
16045	64045
16057	65167B
1606	65169B
16062	65166B
16065	64035F
1607	66812F
16071	OBS 66871F
16073	64041F
16073	OBS 64037F
16077	66822F
16111	68036F
16123	66865F
16126	66626
16129	61727F
16138	68882F
16139	68882F

Manufacturer's Part Number	Webb Part Number
<b>DURABRAKE/DURAMETAL</b>	
16139	68942F
16141	66875F
16143	66815F
16144	66817F
16146	65670B
16149	61780F
1615	OBS 65511B
16196	OBS 68909F
16224	OBS 68923F
1626	OBS 68916F
16262	OBS 64031F
16263	OBS 64463F
16267	64047F
1628	62200F
1628	OBS 66200F
16280	62200F
16281	OBS 66201F
16282	OBS 66881B
16283	66895B
16289	62117F
1629	62200F
1629	OBS 66200F
16290	62200F
16295	OBS 68885F
16296	68891F
16297	67205F
1630	OBS 67519F
1631	67537F
1632	68731F
16321	68733F
16325	62240F
16325DD	61730F
16326	61730F
16326	OBS 61728F
1634	OBS 62634F
1635	68844F
16352	68844F
1636	66899B
16368	66886B
1636A	OBS 66897F

Manufacturer's Part Number	Webb Part Number
<b>DURABRAKE/DURAMETAL</b>	
1636C	OBS 66891F
1639	68730F
16396	68013F
1640	68765F
16401	OBS 68665F
16402	68012F
16406	OBS 68902F
16408	68903F
16409	68903F
16417	OBS 68922F
1642	64466F
16421	68927F
16422	68931F
16516	68958F
16543	OBS 61628F
1658	OBS 68910F
16600	65600B
16615-111	65173B
16618	68918F
1664	66096F
16647	66353F
1665	68887B
16663	OBS 63213F
1667	OBS 68898F
16687	62671F
16717	67205F
1672	OBS 68895F
16727	61727F
16728	OBS 61728F
16729	60876F
16729	OBS 61952F
16736	OBS 61957F
1676	68760F
16778	68981B
16778	OBS 68416F
1679	OBS 66786F
16791	61791F
16792	66864B
16792	66884B
16792	76864B

<sup>1</sup>When replacing existing drums in the field, ensure adequate wheel stud thread engagement.

<sup>2</sup>Webb brake drums are interchangeable with Motor Wheel brake drums; however, in some Motor Wheel assemblies the stud may have to be changed to accommodate the thicker backplate of the Webb brake drum. This is necessary when only the brake drum is being replaced.

\*\*Will become obsolete when current inventory is depleted. Call for availability - if purchased, parts are non-returnable.

## BRAKE DRUM CROSS REFERENCE SECTION



Manufacturer's Part Number	Webb Part Number
<b>DURABRAKE/DURAMETAL</b>	
16792	77864BW
16793	OBS 66874B
16794	66895B
16795	66893F
16795	OBS 66853B
16796	66883F
16797	66852F
16797	66892F
16798	66895B
1685	68921F
16857	66857F
16865	OBS 62119F
16873	67397F
16873	67518F
16873	OBS 67517F
16874	67518F
16874	OBS 67517F
16876	OBS 68983F
16877	68981B
16878	OBS 61777F
16879	62199F
1688	OBS 67547F
16884	OBS 68955F
16894	OBS 68983F
16896	OBS 63430F
1690	OBS 68896F
16901	OBS 61774F
16902	68848F
16903	OBS 68849F
16907	68897F
1691	OBS 63411F
16917	61791F
16921	OBS 66891F
16922	66896F
1693	61733F
1693	OBS 61723F
16931	OBS 61627F
16946	68946F
16988	68988F
16997	62997F

Manufacturer's Part Number	Webb Part Number
<b>DURABRAKE/DURAMETAL</b>	
1702	OBS 68928F
1800	OBS 61858F
1804	OBS 61852F
1805	61862F
1806	OBS 61864F
1807	61850F
18171	61854F
18174	61855F
18175	61853F
1841	OBS 61841F
18441	OBS 61860F
18788	61788F
20056	OBS 62072F
20057	OBS 62071F
4569	65551B
C3TZ-1126-M	OBS 65511B
C5TZ-1126-Y	OBS 63437F
<b>EAGLE</b>	
054-0113-036	64035F
054-0203-019	64041F
<b>EATON</b>	
1008580-03	65541B
1008580-04	65651B
1008580-05	65167B
110307	OBS 67101B
126831	66660B
126836	OBS 66662B
126949	66864B
126949	66892B
126988	6535
127712	64700
128174	66862B
29850	62200F
32139	62200F
32833	62200F
33851	68942F
50686	64105F
506896	65545B
506896	65565B
50690	61548F

Manufacturer's Part Number	Webb Part Number
<b>EATON</b>	
507031	65163B
507064	62671F
58389	OBS 68922F
78035	OBS 61597F
808703	OBS 66882F
810100	66824B
811330	66250B
814117	61988B
814655	64050B
815217	61988F
815353	61950B
815630	61989B
815631	61989F
815880	61958B
816446	66660B
817052	61991F
817053	61991B
817054	61999F
817055	61999B
817266	66865B
817282	66884B
817317	66258B
817317	OBS 66258F
818382	61951B
819130	66857F
819198	65167B
819560	65654B
819880	68846B
819952	65541B
820160	63639B
820649	65166B
969148	OBS 66842F
973516	OBS 66253B
973841	66864F
973841	76864B
973841	77864BW
973928	66826B
973929	66809B
973929	66854B
974065	66875F

<sup>1</sup>When replacing existing drums in the field, ensure adequate wheel stud thread engagement.

<sup>2</sup>Webb brake drums are interchangeable with Motor Wheel brake drums; however, in some Motor Wheel assemblies the stud may have to be changed to accommodate the thicker backplate of the Webb brake drum. This is necessary when only the brake drum is being replaced.

\*\*Will become obsolete when current inventory is depleted. Call for availability - if purchased, parts are non-returnable.



## BRAKE DRUM CROSS REFERENCE SECTION

Manufacturer's Part Number	Webb Part Number
<b>EATON</b>	
974157	61870B
974453	66663B
974482	66864B
974482	76864B
974482	77864BW
974556	66665B
974562	OBS 66668B
974643	66661B
B-1197B-1	OBS 66786F
B-1288-3	OBS 63418F
B-1291-1	62200F
B-1292-1	62200F
B-1630-1	67537F
B-1664-1	67205F
B-1690-1	66096F
B-1780-1	67205F
B-1788-1	67205F
B-1827-1	62200F
B-1837	62200F
B-1837-1	OBS 66200F
B-1911-1	68891F
F-1847-4	65166B
<b>ERIE</b>	
2678	OBS 61627F
2698	OBS 61627F
2700-10	63637F
2700-2	OBS 63636F
2700-8	63637F
2700-9	63637F
2716	OBS 61628F
2727	OBS 61627F
2728	OBS 61628F
2729	OBS 61952F
2730	OBS 61957F
2735	OBS 61952F
2736	OBS 61957F
2738	67518F
2738-1	67518F
2738-2	67518F
2738-3	67518F

Manufacturer's Part Number	Webb Part Number
<b>ERIE</b>	
2739	OBS 68665F
2740	68765F
2740-1	68730F
2741	OBS 63651F
2743	OBS 61628F
2747	67518F
2748	OBS 61517F
2750	68903F
2750-1	61730F
2750-1	62240F
2752	63617F
2752	63647F
2754	OBS 61517F
2756	OBS 63423F
2760	62200F
2762	61780F
2764	66893F
2764	OBS 66853B
2764-5	66864B
2764-5	66884B
2764-5	76864B
2764-5	77864BW
2764-51	60876F
2765	68897F
2766	61788F
2767	64036F
2768	64038F
2770	68981B
2770	OBS 68416F
2770E	68981B
2770E	OBS 68416F
2771	66875F
2771	66895B
2771-18	66875F
2772	62997F
2772	63031B
2772-1	62997F
2773	68882F
2773	68942F
2773-3	68958F

Manufacturer's Part Number	Webb Part Number
<b>ERIE</b>	
2774	68946F
2777	OBS 64048F
2778	OBS 64046F
<b>EUCLID</b>	
E-3630	OBS 62055F
E-3631	OBS 62074F
E-7195	OBS 63290F
E-7197	OBS 63236F
E-7198	66283F
E-7199	OBS 63279F
<b>FLXIBLE</b>	
3-168-1	OBS 64117F
3-168-10	64017F
3-168-2	OBS 64117F
3-168-3	OBS 64003F
3-168-5	64017F
3-168-5	OBS 64117F
3-168-6	OBS 64003F
3-168-7	OBS 64004F
3-5007-51	OBS 64031F
4-04-2	66899B
4-187-1	66899B
4-201-1	66899B
4-204-9	OBS 64015F
4-205-1	66899B
4-205-11	OBS 64001F
4-205-16	OBS 64009F
4-205-6	OBS 64015F
4-205-7	OBS 64001F
4-205-8	OBS 64015F
4-4001-52	66899B
97-5348-1	OBS 64015F
97-5348-1	OBS 64115F
<b>FORD</b>	
8Q-1126-B	OBS 64438F
B6Q-1126-A	OBS 64438F
B7Q-1125-A	OBS 64421F
B7Q-1125-C	OBS 64416F
B8QH-1126-C	OBS 68902F
C1TT-1126-A	67518F

\*When replacing existing drums in the field, ensure adequate wheel stud thread engagement.

<sup>2</sup>Webb brake drums are interchangeable with Motor Wheel brake drums; however, in some Motor Wheel assemblies the stud may have to be changed to accommodate the thicker backplate of the Webb brake drum. This is necessary when only the brake drum is being replaced.

\*\*Will become obsolete when current inventory is depleted. Call for availability - if purchased, parts are non-returnable.



## BRAKE DRUM CROSS REFERENCE SECTION



Manufacturer's Part Number	Webb Part Number
<b>FORD</b>	
C1TT-1126-C	OBS 66200F
C1TZ-1126-B	OBS 67519F
C2TZ-1126-A	OBS 67519F
C3TA-1126-N	OBS 61517F
C3TZ-1125-H	64448F
C3TZ-1125-M	64430B
C3TZ-1125-N	OBS 64429F
C3TZ-1126-E	OBS 64407F
C3TZ-1126-F	OBS 64416F
C3TZ-1126-L	OBS 61547F
C3TZ-1126-N	OBS 61517F
C3TZ-1126-S	61606F**
C3TZ-1126-T	OBS 64484F
C3TZ-1126-U	64426F
C4TZ-1125-A	64018F
C4TZ-1125-B	64018F
C4TZ-1125-D	64449F
C4TZ-1125-E	OBS 65246F
C4TZ-1126-B	OBS 64484F
C4TZ-1126-C	OBS 64484F
C5TA-1126-N	OBS 64420F
C5TA-1126-U	61599F**
C5TA-1126-W	61606F**
C5TZ-1125-A	OBS 62562F
C5TZ-1125-AD	64445F
C5TZ-1125-D	64445F
C5TZ-1126-AB	OBS 61774F
C5TZ-1126-AC	61727F
C5TZ-1126-AD	OBS 66200F
C5TZ-1126-AE	OBS 61547F
C5TZ-1126-AH	66096F
C5TZ-1126-AJ	OBS 64441F
C5TZ-1126-AM	OBS 64459F
C5TZ-1126-AN	OBS 64442F
C5TZ-1126-AV	61727F
C5TZ-1126-B	OBS 61774F
C5TZ-1126-C	OBS 64460F
C5TZ-1126-D	OBS 64420F
C5TZ-1126-E	61566F
C5TZ-1126-J	61599F**

Manufacturer's Part Number	Webb Part Number
<b>FORD</b>	
C5TZ-1126-K	OBS 61774F
C5TZ-1126-M	61606F**
C5TZ-1126-P	61612F**
C5TZ-1126-R	OBS 64438F
C5TZ-1126-S	61612F**
C5TZ-1126-V	61612F**
C5TZ-1126-W	61606F**
C5TZ-1126-X	OBS 61774F
C5TZ-1126-Z	61566F
C6TZ-1126-D	OBS 64420F
C6TZ-1126-E	61566F
C6TZ-1126-F	OBS 63437F
C6TZ-1126-H	OBS 66847F
C6TZ-1126-M	OBS 65511B
C7TZ-1126-A	OBS 61602F
C7TZ-1126-C	OBS 61728F
C8TZ-1125-E	OBS 64437F
C8TZ-1126-B	64426F
C8TZ-1126-E	64408F**
C8TZ-1126-F	64408F**
C8TZ-1126-F	OBS 64428F
C8TZ-1126-G	64408F**
C8TZ-1126-H	64408F**
C8TZ-1126-J	OBS 64428F
C8TZ-1126-U	64426F
C9HZ-1125-A	OBS 64437F
C9TZ-1125-A	64448F
C9TZ-1126-A	OBS 68902F
D0HZ-1125-C	64448F
D0HZ-1125-D	OBS 64437F
D0HZ-1125-E	OBS 64493F
D0HZ-1125-F	64448F
D1HZ-1125-G	64448F
D1HZ-1125-K	61566F
D1HZ-1126-B	OBS 68902F
D1HZ-1126-C	62200F
D1HZ-1126-C	OBS 66200F
D1HZ-1126-C	OBS 68917F
D1TZ-1125-C	OBS 64416F
D1TZ-1125-D	64018F

Manufacturer's Part Number	Webb Part Number
<b>FORD</b>	
D1TZ-1126-B	OBS 62451F
D2TZ-1125-D	64018F
D5HZ-1125-A	OBS 62989F
D5HZ-1125-C	65651B
D5HZ-1125-D	OBS 63258F
D5HZ-1125-E	65516B
D5HZ-1126-A	62997F
D5HZ-1126-AB	62997F
D5HZ-1126-B	62997F
D5HZ-1126-C	68848F
D5HZ-1126-D	66857F
D5HZ-1126-E	66857F
D5HZ-1126-F	OBS 64440F
D5HZ-1126-G	62997F
D5HZ-1126-J	63427F
D5HZ-1126-K	68981B
D5HZ-1126-W	61606F**
D5TZ-1125-A	OBS 64431F
D6TZ-1125-A	64417F
D6TZ-1125-B	OBS 64443F
D7HZ-1125-B	64417F
D7HZ-1126-B	66852F
D7HZ-1126-B	66892F
D7HZ-1126D	OBS 66861F
D7HZ-1126-E	63427F
D8HZ-1125-A	65550B
D8HZ-1125-A	67945B
D8HZ-1125-B	65514B
D8HZ-1125-D	65541B
D8HZ-1125-F	64454F
D8HZ-1125-G	65256B
D8HZ-1125-H	OBS 65159F
D8HZ-1126-A	66893F
D8HZ-1126-A	OBS 66853B
D8HZ-1126-C	66893F
D8HZ-1126-C	OBS 66853B
D8HZ-1126-D	66896F
D8HZ-1126-F	66852F
D8HZ-1126-F	66892F
E0HZ-1126-C	63035F

<sup>1</sup>When replacing existing drums in the field, ensure adequate wheel stud thread engagement.

<sup>2</sup>Webb brake drums are interchangeable with Motor Wheel brake drums; however, in some Motor Wheel assemblies the stud may have to be changed to accommodate the thicker backplate of the Webb brake drum. This is necessary when only the brake drum is being replaced.

\*\*Will become obsolete when current inventory is depleted. Call for availability - if purchased, parts are non-returnable.



## BRAKE DRUM CROSS REFERENCE SECTION

Manufacturer's Part Number	Webb Part Number
<b>FORD</b>	
E2HZ-1125-A	61529F
E2HZ-1126-C	66893F
E2HZ-1126-C	OBS 66853B
E2HZ-1126-D	61591F
E3HZ-1126-A	OBS 66580F
E4HZ1125B	65256B
E4HZ-1125-E	65514B
E4HZ-1125-F	65157B
E4HZ-1126-B	OBS 61586F
E4HZ-1126-C	63035F
E4HZ-1126-D	61566F
E4HZ-1126-E	OBS 64420F
E4HZ-1126-F	65735F
E4HZ-1126-G	61536F
E4HZ-1126-H	62997F
E4HZ-1126-J	62997F
E4HZ-1126-K	61599F**
E5HT-1125EA	64044F
E5HZ-1125-B	65516B
E6HT-1126CA	OBS 66626F
E6HZ-1125-H	65514B
E9HZ-1126-A	66864B
E9HZ-1126-A	66884B
E9HZ-1126-A	76864B
E9HZ-1126-A	77864BW
E9HZ1126B	61577B
E9HZ-1126-C	62997F
F0HZ-1125-A	65266B
F0HZ-1125-B	65516B
F0HZ1125C	62671F
F0HZ1126B	66830B
F3HZ1125C	65710B
FOHZ1125C	62671F
TAJAA-1126-A	OBS 68902F
TFAA-1126-A	OBS 64438F
TYBD-1126-A	OBS 64438F
TYBJ-1125-A	OBS 64421F
TYBJ-1125-C	OBS 64416F
<b>FREIGHTLINER- SEE DAIMLER/FREIGHTLINER</b>	

Manufacturer's Part Number	Webb Part Number
<b>FRUEHAUF</b>	
218931	OBS 68665F
256702	OBS 68665F
61127	OBS 68665F
965896	68927F
ACD-2561-1	63650F
ACE-62201	68765F
ACE-62202	68730F
A-CE6220-4	OBS 68530F
A-CE6220-5	OBS 68530F
A-CE6220-6	OBS 68565F
ACE-8459-1	67415F
ACE-9663-1	66893F
ACE-9663-1	OBS 66853B
ACE-9664-1	61574F
A-CF4519-1	60876F
A-CF8457-1	63680
ACF-8487	OBS 63652F
A-J0490-1	OBS 62999F
A-UD0088-1	66815F
A-UD0469-1	66884F
A-VA0069-1	68927F
A-VA0070-1	OBS 61597F
A-VA0071-1	68931F
A-VA0072-1	63650F
A-VA0073-1	OBS 63652F
A-VA0074-1	OBS 61598F
A-VA0175-1	67518F
AXA-0190-2	OBS 61598F
AXA-0190-3	OBS 61598F
AXA-0910-1	OBS 61598F
AXA-0910-3	OBS 61598F
AXA-190-1	OBS 61598F
AXB-0190-2	OBS 61598F
MDA 012582	OBS 65500F
MDA 120440	61606F**
MDA 120574	62240F
MDA 120582	63650F
MDA 120586	68765F
MDA 120754	61780F

Manufacturer's Part Number	Webb Part Number
<b>FRUEHAUF</b>	
MDA 120877	60876F
MDA 120882	68891F
MDA 122009	62997F
MDA 122126	68730F
MDA 122222	67518F
MDA 122242	OBS 61517F
MDA 122244	OBS 67598F
MDA 122284	68946F
MDA 122453	66852F
MDA 122453	66892F
MDA 122455	68942F
MDA 122506	68921F
MDA 122513	66817F
MDA 122550	66895B
MDA 122575	64414F
MDA 122600	68897F
MDA 122603	68760F
MDA 122607	66893F
MDA 122607	OBS 66853B
MDA 122683	68981B
MDA 122963	63617F
MDA 123207	66864B
MDA 123207	66884B
MDA 123207	76864B
MDA 123207	77864BW
MDS 122009-FORD	62997F
MDS 123200	62997F
MDS-013894	62200F
MMG-0250-34	61780F
MWW 608760	60876F
MWW 615170	OBS 61517F
UXA-0190-2	OBS 61598F
<b>GMC- SEE CHEVROLET/GMC</b>	
<b>GUNITE</b>	
1104	OBS 62142F
1225C	OBS 62142F
1412	OBS 64004F
1550	OBS 64001F
1550A	OBS 64001U

<sup>1</sup>When replacing existing drums in the field, ensure adequate wheel stud thread engagement.

<sup>2</sup>Webb brake drums are interchangeable with Motor Wheel brake drums; however, in some Motor Wheel assemblies the stud may have to be changed to accommodate the thicker backplate of the Webb brake drum. This is necessary when only the brake drum is being replaced.

\*\*Will become obsolete when current inventory is depleted. Call for availability - if purchased, parts are non-returnable.

## BRAKE DRUM CROSS REFERENCE SECTION



Manufacturer's Part Number	Webb Part Number
<b>GUNITE</b>	
1550B	OBS 64001F
1550C	OBS 64001F
1551	OBS 64004F
1551A	64004U
1592	OBS 68896F
1592D	OBS 68896F
1597A	OBS 61627F
1604B	64003U
1604D	64003U
1635C	62200F
1635C	OBS 66200F
1650A	62200F
1650A	OBS 66200F
1650B	OBS 68916F
1746A	62200F
1746A	OBS 66200F
1746B	OBS 68916F
1781	OBS 61777F
1791	OBS 61777F
1809	OBS 68665F
1812	68765F
1812A	68730F
1812E	68921F
1812G	68765F
1820	OBS 68665F
1821	68765F
1821A	68730F
1821C	68731F
1824C	61854F
1873K	61854F
1881	68731F
1894A	OBS 61628F
1919	66899B
1922	61730F
1922	68903F
1922	OBS 61728F
1922	OBS 68982F
1922	OBS 68983F
1922B	61733F
1922B	OBS 61723F

Manufacturer's Part Number	Webb Part Number
<b>GUNITE</b>	
1922C	62240F
1922D	61730F
1922D	68903F
1922D	OBS 61728F
1922D	OBS 68982F
1922D	OBS 68983F
1922E	61730F
1922E	68903F
1922E	OBS 61728F
1922E	OBS 68982F
1922E	OBS 68983F
1930	61730F
1930	68903F
1930	OBS 61728F
1930	OBS 68982F
1930	OBS 68983F
1930D	61730F
1930D	68903F
1930D	OBS 61728F
1930D	OBS 68982F
1930D	OBS 68983F
1942	OBS 64004F
1942A	64004U
1951	OBS 68928F
1974	OBS 67547F
1991	61730F
1991	68903F
1991	OBS 61728F
1991	OBS 68982F
1991	OBS 68983F
2010A	OBS 61627F
2024	OBS 67517F
2024A	67518F
2024C	67518F
2024D	67537F
2024F	OBS 67517F
2024G	67518F
2025	67518F
2025A	67518F
2035	OBS 68898F

Manufacturer's Part Number	Webb Part Number
<b>GUNITE</b>	
2035C	OBS 68898F
2039	OBS 68911F
2044	OBS 68895F
2044A	OBS 68895F
2044B	OBS 68895F
2044B	68940F
2062	OBS 62119F
2062A	OBS 62119F
2097B	62200F
2097B	OBS 66200F
2097C	OBS 68916F
2105	OBS 67547F
2110	68731F
2111	68765F
2111A	68730F
2112	OBS 68665F
2135F	OBS 62142F
2136	OBS 63411F
2141	OBS 68896F
2141A	OBS 68896F
2150	OBS 61777F
2153	OBS 63430F
2155	OBS 63411F
2156	61854F
2161	OBS 67547F
2166	OBS 61952F
2174A	OBS 61774F
2175A	OBS 61774F
2176	OBS 61777F
2176A	61780F
2177	OBS 61777F
2177A	61780F
2186	OBS 63411F
2187	OBS 68923F
2187A	OBS 68923F
2193	OBS 61957F
2197	62199F
2198	OBS 64438F
2205	OBS 61952F
2206	OBS 61957F

<sup>1</sup>When replacing existing drums in the field, ensure adequate wheel stud thread engagement.

<sup>2</sup>Webb brake drums are interchangeable with Motor Wheel brake drums; however, in some Motor Wheel assemblies the stud may have to be changed to accommodate the thicker backplate of the Webb brake drum. This is necessary when only the brake drum is being replaced.

\*\*Will become obsolete when current inventory is depleted. Call for availability - if purchased, parts are non-returnable.



## BRAKE DRUM CROSS REFERENCE SECTION

Manufacturer's Part Number	Webb Part Number
<b>GUNITE</b>	
2210	OBS 63430F
2211	OBS 61774F
2225	OBS 64001U
2225A	OBS 64001F
2225B	OBS 64001U
2225C	OBS 64001F
2228	OBS 61777F
2231	OBS 64031F
2239B	OBS 68001F
2240	OBS 67519F
2242	OBS 64003F
2242A	64003U
2247	OBS 64424F
2249	OBS 68955F
2251	OBS 68922F
2251A	OBS 68922F
2253C	67518F
2254	OBS 61777F
2256A	OBS 64438F
2256C	OBS 64428F
2258	OBS 64009F
2258A	64009U
2273	67205F
2277	OBS 64009F
2281	OBS 67519F
2283	68981B
2283	OBS 68982F
2283	OBS 68983F
2283A	OBS 61774F
2283C	61730F
2283C	68903F
2283C	OBS 61728F
2283C	OBS 68982F
2283C	OBS 68983F
2283F	OBS 61774F
2286	68897F
2292	68927F
2296	68730F
2301	68927F
2302	OBS 68923F

Manufacturer's Part Number	Webb Part Number
<b>GUNITE</b>	
2303	OBS 64421F
2313	OBS 68923F
2322	66899B
2326B	68882F
2330	OBS 68983F
2340	OBS 64416F
2342	61730F
2342	68903F
2342	OBS 61728F
2342	OBS 68982F
2342	OBS 68983F
2342A	63032F
2346	61727F
2352	OBS 68665F
2353	OBS 67517F
2353B	67518F
2353C	67518F
2356	66899B
2356A	OBS 68899B
2356-A	66899B
2359	68730F
2359A	68765F
2360	61730F
2360	68903F
2360	OBS 61728F
2360	OBS 68982F
2360	OBS 68983F
2360C	61730F
2360C	68903F
2360C	OBS 61728F
2360C	OBS 68982F
2360C	OBS 68983F
2363	68927F
2369	61730F
2369	68903F
2369	OBS 61728F
2369	OBS 68982F
2369	OBS 68983F
2392	OBS 68955F
2394	64016F

Manufacturer's Part Number	Webb Part Number
<b>GUNITE</b>	
2400	61548F
2401	64105F
2401B	OBS 64106F
2447	OBS 68895F
2467	67518F
2485	64425F
2500	OBS 68955F
2507B	61606F**
2508	61606F**
2508A	61606F**
2511A	61601F
2512	62199F
2516	61601F
2517	61600B**
2517A	61600B**
2517A	OBS 67403B
2517C	61600B**
2517F	61600B**
2517F	OBS 67403B
2517G	61600B**
2517G	OBS 67403B
2517H	61600B**
2517M	61600B**
2517M	OBS 67403B
2517N	61600B**
2517N	OBS 67403B
2521	OBS 61517F
2521D	OBS 61517F
2523	OBS 64423F
2536	62200F
2536	OBS 66200F
2539	OBS 68896F
2540	61854F
2540A	OBS 61858F
2542	68897F
2543	OBS 61628F
2544	61599F**
2544	OBS 61627F
2545	61730F
2545	68903F

\*When replacing existing drums in the field, ensure adequate wheel stud thread engagement.

<sup>2</sup>Webb brake drums are interchangeable with Motor Wheel brake drums; however, in some Motor Wheel assemblies the stud may have to be changed to accommodate the thicker backplate of the Webb brake drum. This is necessary when only the brake drum is being replaced.

\*\*Will become obsolete when current inventory is depleted. Call for availability - if purchased, parts are non-returnable.



## BRAKE DRUM CROSS REFERENCE SECTION



Manufacturer's Part Number	Webb Part Number
<b>GUNITE</b>	
2545	OBS 61728F
2545	OBS 68982F
2545	OBS 68983F
2545A	61730F
2545A	68903F
2545A	OBS 61728F
2545A	OBS 68982F
2545A	OBS 68983F
2546	68730F
2546A	68765F
2546B	68921F
2546C	68765F
2546D	68765F
2548	OBS 68916F
2554	OBS 65511B
2556	OBS 64015F
2561	64018F
2562	OBS 62562F
2566	OBS 64004F
2568	OBS 64009F
2571	61548F
2575A	OBS 64437F
2577A	61780F
2578	68946F
2579	68942F
2579A	68882F
2579A	68942F
2580	61727F
2581A	OBS 64484F
2582	64426F
2582A	64426F
2585	OBS 62585F
2589	61601F
2594	OBS 61774F
2594A	OBS 61774F
2596	61600B**
2596	OBS 67403B
2598	OBS 68922F
2598A	OBS 68922F
2602	61730F

Manufacturer's Part Number	Webb Part Number
<b>GUNITE</b>	
2602	68903F
2602	OBS 61728F
2602	OBS 68982F
2602	OBS 68983F
2603	OBS 64420F
2604	61566F
2606B	61599F**
2607	61612F**
2608	61606F**
2608B	61599F**
2612	61600B**
2624	OBS 68983F
2626A	61612F**
2644A	OBS 68898F
2645	OBS 63437F
2647	OBS 66847F
2653	64448F
2658	OBS 61597F
2658A	OBS 61598F
2658C	OBS 61597F
2658D	OBS 61602F
2658E	OBS 61597F
2658G	OBS 61598F
2661	OBS 63423F
2663	OBS 64450F
2665	OBS 61545F
2667	OBS 61604F
2668	OBS 61659F
2669	OBS 64433F
2670	OBS 64490F
2672	68760F
2688	OBS 66086F
2697	64406F
2702	67537F
2705	62200F
2705	OBS 66200F
2714	OBS 64415F
2715	OBS 63152F
2717	64408F**
2717A	64408F**

Manufacturer's Part Number	Webb Part Number
<b>GUNITE</b>	
2718	64426F
2728	OBS 61547F
2728B	OBS 61547F
2730	61730F
2730	62240F
2741	OBS 64469F
2742	OBS 64455F
2747	61854F
2747C	61855F
2749	67518F
2762	OBS 63428F
2769	66895B
2769A	OBS 66887B
2769B	OBS 66887B
2770	OBS 64401F
2770A	OBS 64402F
2770B	OBS 64402F
2774	OBS 61549F
2808	64404F
2827	64448F
2829	61566F
2830	OBS 64456F
2831	64466F
2831A	64466F
2832	OBS 64427F
2845	64425F
2848	64448F
2849	OBS 61774F
2849A	OBS 61774F
2849B	OBS 61774F
2850	64018F
2851	61727F
2851D	61727F
2852	61606F**
2852B	61599F**
2852D	61606F**
2852E	61599F**
2853	OBS 68902F
2855	OBS 64416F
2868	OBS 64480F

<sup>1</sup>When replacing existing drums in the field, ensure adequate wheel stud thread engagement.

<sup>2</sup>Webb brake drums are interchangeable with Motor Wheel brake drums; however, in some Motor Wheel assemblies the stud may have to be changed to accommodate the thicker backplate of the Webb brake drum. This is necessary when only the brake drum is being replaced.

\*\*Will become obsolete when current inventory is depleted. Call for availability - if purchased, parts are non-returnable.



## BRAKE DRUM CROSS REFERENCE SECTION

Manufacturer's Part Number	Webb Part Number
<b>GUNITE</b>	
2885	OBS 61573B
2912	65516B
2912A	65516B
2912B	65516B
2912C	65516B
2913A	OBS 65515B
2913C	OBS 65515B
2916	OBS 64431F
2920	65651B
2920A	65651B
2920X	65651B
2938	68882F
2938	68942F
2939	OBS 68895F
2939	68940F
2942	66895B
2954	OBS 61573B
2954A	61576F
2974	62240F
2982	61853F
2982A	61853F
2983B	67518F
2983C	67518F
2987	OBS 63258F
2989	OBS 62989F
2993	65266B
2997	62997F
2997B	62997F
2997C	62997F
2997D	62997F
3002	63427F
3002B	63427F
3012	68012F
3012	68730F
3012	68732F
3012	68765F
3012A	68013F
3012B	68012F
3013	64413F
3018	68765F

Manufacturer's Part Number	Webb Part Number
<b>GUNITE</b>	
3018A	68730F
3018B	68732F
3020	62117F
3020AX	62117B
3021	68012F
3022A	65266B
3022B	65266B
3023	64478F
3026	OBS 63240F
3027	68981B
3027A	68981B
3027B	68981B
3027C	68981B
3027D	68981B
3028	62240F
3028C	61730F
3028C	68903F
3028C	OBS 61728F
3028C	OBS 68982F
3028C	OBS 68983F
3030	OBS 63030B
3030A	63035F
3031	63031B
3031A	63031B
3039	65526B
3040X	66852B
3040X	66892B
3043	63031B
3045	64417F
3046	65256B
3046A	65256B
3046C	65256B
3049	6551B
3050	65549F
3051	65157B
3052	65167B
3054	OBS 64479F
3057	65514B
3057A	65514B
3057B	65514B

Manufacturer's Part Number	Webb Part Number
<b>GUNITE</b>	
3057E	65514B
3057F	65514B
3060	OBS 66861F
3072X	64483B
3075	65651B
3092	65651B
3094	OBS 64419F
3097A	OBS 61581F
3105X	66852B
3105X	66892B
3111A	68036F
3112	63032F
3112A	63032F
3119	65514B
3120	60876F
3125	OBS 61544F
3134	64028F
3136	68942F
3136A	68882F
3136A	68942F
3136B	68958F
3141	66895B
3141B	66875F
3141X	66895B
3142X	61780B
3143X	61780B
3151	OBS 64415F
3152	OBS 63152F
3154	OBS 64456F
3155	OBS 64427F
3158	65541B
3158X	65541B
3159	OBS 65159F
3159A	OBS 65159F
3165	63294F
3165A	63294F
3166	66893F
3166	OBS 66853B
3168	68927F
3169	64404F

<sup>1</sup>When replacing existing drums in the field, ensure adequate wheel stud thread engagement.

<sup>2</sup>Webb brake drums are interchangeable with Motor Wheel brake drums; however, in some Motor Wheel assemblies the stud may have to be changed to accommodate the thicker backplate of the Webb brake drum. This is necessary when only the brake drum is being replaced.

<sup>\*\*</sup>Will become obsolete when current inventory is depleted. Call for availability - if purchased, parts are non-returnable.

## BRAKE DRUM CROSS REFERENCE SECTION



Manufacturer's Part Number	Webb Part Number
<b>GUNITE</b>	
3169A	64405F
3174	63617F
3174	63647F
3175	63617F
3175	63647F
3175	OBS 68647F
3186	64453F
3187	OBS 61542F
3192X	65550B
3195	61791F
3196	68897F
3197	61788F
3212	OBS 64496F
3215X	66895B
3217	64408F**
3219	61591F
3219A	61577F
3235	OBS 64422F
3239X	65157B
3242	64466F
3242A	64466F
3243	64413F
3244	64414F
3244A	64414F
3244B	64414F
3244C	64444F
3249	64449F
3251	OBS 64465F
3252	OBS 64412F
3257	66857F
3259	OBS 64459F
3260	OBS 64460F
3265	63032F
3276	68882F
3276	68942F
3276A	68882F
3276A	68942F
3279	OBS 64418F
3280	66852F
3280	66892F

Manufacturer's Part Number	Webb Part Number
<b>GUNITE</b>	
3285	OBS 64485F
3285A	OBS 64486F
3288	OBS 64488F
3289	62117F
3290	65549F
3291	61601F
3291A	61601F
3292	62115B
3293	66852F
3293	66892F
3294	63294B
3294	63294F
3295	68981B
3295A	68981B
3295A	OBS 68416F
3329	OBS 64429F
3381	68036F
3381A	OBS 68037F
3383	68891F
3393	68882F
3393	68942F
3393A	68958F
3395	68882F
3395A	68887B
3401	66864F
3401	76864B
3401	77864BW
3401A	66875F
3402	66873F
3402A	66878F
3402AX	66878B
3404	68918F
3407	65541B
3407X	65541B
3408	OBS 64498F
3409	OBS 64409F
3409A	OBS 64410F
3410	66899B
3410A	66886B
3411	61511F

Manufacturer's Part Number	Webb Part Number
<b>GUNITE</b>	
3412	OBS 64003F
3412R	OBS 64113F
3413	64036F
3414	64038F
3415	OBS 64015F
3416	66852F
3417	64430B
3418	OBS 64440F
3419	OBS 64434F
3422	OBS 64494F
3423	OBS 64473F
3436	64477F
3437	65167B
3438	65157B
3439	65514B
3439A	65514B
3441	66865B
3444	63650F
3445	64445F
3446	OBS 65246F
3447	OBS 64407F
3448	68848F
3449	61788F
3450	OBS 64474F
3451	OBS 64441F
3452	OBS 64442F
3453	OBS 64443F
3454	64454F
3456	OBS 64446F
3467	63637F
3467B	63637F
3472	OBS 62055F
3473	OBS 62074F
3474	OBS 66810F
3475	66812F
3478	65514B
3478A	65514B
3483	66893F
3483	OBS 66853B
3485	63035F

<sup>1</sup>When replacing existing drums in the field, ensure adequate wheel stud thread engagement.

<sup>2</sup>Webb brake drums are interchangeable with Motor Wheel brake drums; however, in some Motor Wheel assemblies the stud may have to be changed to accommodate the thicker backplate of the Webb brake drum. This is necessary when only the brake drum is being replaced.

\*\*Will become obsolete when current inventory is depleted. Call for availability - if purchased, parts are non-returnable.





## BRAKE DRUM CROSS REFERENCE SECTION

Manufacturer's Part Number	Webb Part Number
GUNITE	
3485B	63035F
3490	66896F
3508	61554F
3512	65157B
3513	65167B
3513X	65167B
3521	64481F
3524	OBS 61503F
3537	OBS 63290F
3543	66852F
3543	66892F
3544	68903F
3552A	64444B
3553	OBS 63435F
3553A	OBS 63435F
3556	OBS 67598F
3557	63631F
3557A	63635F
3564A	OBS 68530F
3568	OBS 66874B
3569X	61528B
3570A	66864F
3570A	76864B
3570A	77864BW
3570A	OBS 69996B
3570AX	66864B
3570AX	66884B
3570AX	76864B
3570AX	77864BW
3570AX	OBS 69996B
3573X	65710B
3574	65550B
3574B	65554B
3574BX	65554B
3574X	65550B
3575	61528B
3576	66661F
3593	OBS 66874B
3595	68845F
3595A	68845F

Manufacturer's Part Number	Webb Part Number
GUNITE	
3595A	68846B
3596B	65547B
3596X	65547B
3597B	65153B
3598BX	65158B
3598X	65151B
3600A	66864F
3600A	76864B
3600A	77864BW
3600A	OBS 69996B
3600AX	66864B
3600AX	66884B
3600AX	76864B
3600AX	77864BW
3600B	66864F
3600B	76864B
3600B	77864BW
3601	OBS 64496F
3603	OBS 61542F
3605	OBS 63241F
3607	OBS 68862F
3608	65550B
3609	OBS 63213F
3610	64483F
3612	OBS 63240F
3616	OBS 62057F
3618	68918F
3620	61859F
3630	65710B
3631	61528B
3638	64481F
3638A	64489F
3639	68988F
3639A	68989F
3647	66353F
3667	65542B
3668	66864F
3668	76864B
3668	77864BW
3669	64417

Manufacturer's Part Number	Webb Part Number
GUNITE	
3674	64481F
3674A	64489F
3675	61528B
3676	68988F
3676A	68989F
3677	65710B
3678	68887B
3678A	68895B
3686	OBS 65155B
3686X	65155
3687	65152B
3691X	61791B
3699	66852B
3707	63436F
3710	65710B
3710AX	77710B
3721AX	61528B
3721X	61527B
3721AX	77528B
3726X	65548B
3731	61528B
3732	OBS 66200F
3741X	65543B
3744AX	61999B
3744X	61991B
3753X	61950B
3757	66353F
3758X	65161B
3758X	65151B
3760B	65514B
3760BX	65514B
3767	65516B
3771AX	65546B
3774AX	61958B
3780	66809B
3780	66854F
3780X	66809B
3780X	66854B
3782	66800F
3782X	66800B

<sup>1</sup>When replacing existing drums in the field, ensure adequate wheel stud thread engagement.

<sup>2</sup>Webb brake drums are interchangeable with Motor Wheel brake drums; however, in some Motor Wheel assemblies the stud may have to be changed to accommodate the thicker backplate of the Webb brake drum. This is necessary when only the brake drum is being replaced.

<sup>\*\*</sup>Will become obsolete when current inventory is depleted. Call for availability - if purchased, parts are non-returnable.

## BRAKE DRUM CROSS REFERENCE SECTION



Manufacturer's Part Number	Webb Part Number
<b>GUNITE</b>	
3782X	66808B
3782X	77800BW
3786	65169B
3796X	66826B
3800X	65548B
3807A	66809B
3807A	66854F
3807AX	66809B
3807AX	66854B
3807X	66855B
3807X	77854BW
3826	68903F
3826X	68903B
46106	OBS 64455F
46169	OBS 64469F
49177	64425F
7000X	61528B
7002X	65710B
7003X	65161B
7006X	66864B
7006X	66884B
7006X	76864B
7006X	77864BW
7012X	66875B
7012X	OBS 68797B
7013X	66895B
7014X	62200B
7014X	OBS 66200B
7014X	OBS 67407B
7015X	68730B
7016X	OBS 68872B
8515	OBS 64434F
8557	OBS 63411F
8565X	68862B
8613	64028F
8645	OBS 62057F
8645X	OBS 62057B
8653X	61791B
8656	68897F
8656X	68897B

Manufacturer's Part Number	Webb Part Number
<b>GUNITE</b>	
8663	OBS 63213F
8664	OBS 63214F
8669	61780F
8671	61599F**
8685X	61859F
8686	61788F
8688	61788F
8695	61554F
8712	68942F
8715	62115B
8718	OBS 63241F
8719	62115B
9000X	61528B <sup>1</sup>
9001X	65548B <sup>1</sup>
9006X	66864B <sup>1</sup>
9006X	66864F <sup>1</sup>
9006X	76864B <sup>1</sup>
9006X	76864F <sup>1</sup>
9006X	77864BW
9021X	66893B
K1681	OBS 62451F
<b>HAYES- SEE MOTOR WHEEL/BUDD</b>	
<b>HENDRICKSON</b>	
C25161	76864B
C25161	77864BW
C-25162	76864B
C-25162	77864BW
13690003	65549F
<b>INTERNATIONAL- SEE NAVISTAR/INTERNATIONAL</b>	
<b>KENWORTH</b>	
K-121-44	66895B
K-121-45	OBS 61573B
K-121-82	65541B
K-121-87	66864B
K-121-87	66884B
K-121-87	76864B
K-121-87	77864BW
K-121-88	61528B

Manufacturer's Part Number	Webb Part Number
<b>KENWORTH</b>	
K-121-89	66864B
K-121-89	66884B
K-121-89	76864B
K-121-89	77864BW
K-121-89	OBS 69996B
K-121-D-44	66895B
K-121-D-45	OBS 61573B
K-121-D-53	65549F
K121-D-54	65551B
K-121-D-55	65651B
K-121-D-56	65157B
K-121-D-57	65167B
K-121-D-72	66895B
K-121-D-82	65541B
<b>KIC/REYCO</b>	
50860-01	OBS 66285F
50992-01	OBS 62119F
50995-10	OBS 64004F
51001-01	64426F
51001-30	64426F
51191-04	OBS 64001F
51191-10	OBS 64001F
51240-01	68731F
51240-10	68733F
51250-01	62200F
51251-01	OBS 68916F
51283-10	OBS 64003F
51283-14	64003U
51283-148	64003D
51285-01	OBS 62142F
51298-01	OBS 64469F
51340-11	68730F
51348-01	61856F
51348-11	OBS 61858F
51363-10	OBS 64006F
51377-01	OBS 61852F
51377-11	61862F
51378-01	61854F
51378-11	61855F
51380-01	61730F

<sup>1</sup>When replacing existing drums in the field, ensure adequate wheel stud thread engagement.

<sup>2</sup>Webb brake drums are interchangeable with Motor Wheel brake drums; however, in some Motor Wheel assemblies the stud may have to be changed to accommodate the thicker backplate of the Webb brake drum. This is necessary when only the brake drum is being replaced.

\*\*Will become obsolete when current inventory is depleted. Call for availability - if purchased, parts are non-returnable.



## BRAKE DRUM CROSS REFERENCE SECTION

Manufacturer's Part Number	Webb Part Number
<b>KIC/REYCO</b>	
51380-01	68903F
51380-01	OBS 61728F
51380-01	OBS 68982F
51380-01	OBS 68983F
51380-10	68903F
51393-01	61730F
51393-01	62240F
51393-01	68903F
51393-01	OBS 61728F
51393-01	OBS 68982F
51393-01	OBS 68983F
51393-11	62240F
51410-01	61850F
51410-30	OBS 61860F
51489-01	66899B
51506-11	OBS 61517F
51518-01	OBS 68928F
51533-01	68731F
51542-10	OBS 62699B
51545-01	OBS 61627F
51549-01	67518F
51549-01	OBS 67517F
51549-10	67518F
51558-01	OBS 61628F
51559-01	OBS 68898F
51559-12	OBS 68898F
51569-01	68921F
51571-01	OBS 68916F
51591-01	OBS 68895F
51591-10	OBS 68898F
51618-01	66899B
51620-01	OBS 68896F
51623-11	OBS 61777F
51624-01	61733F
51624-01	OBS 61723F
51626-01	OBS 63411F
51630-11	OBS 67547F
51644-01	68882F
51647-30	OBS 64465F
51667-01	OBS 62439F

Manufacturer's Part Number	Webb Part Number
<b>KIC/REYCO</b>	
51805-01	67205F
51811-01	62199F
51827-10	66899B
51838-11	OBS 61777F
51840-10	66899B
51849-10	OBS 64004F
51852-01	62200F
51859-10	OBS 64004F
51859-108	64004B
51860-10	OBS 64009F
51872-01	68765F
51872-10	68730F
51896-01	61599F**
51896-01	OBS 61627F
51899-01	66096F
51903-01	68897F
51905-10	OBS 61774F
51905-11	OBS 61774F
51949-11	OBS 64001F
51951-01	OBS 61952F
51952-01	68897F
51952-11	68897F
51952-20	68882F
51952-20	68942F
51956-01	OBS 61957F
51961-01	OBS 61777F
51961-10	61780F
51961-11	61780F
51961-20	OBS 68416F
51963-01	OBS 61627F
51971-01	68927F
51971-11	68931F
51971-30	68946F
51971-31	68946F
51991-01	OBS 61628F
51996-01	OBS 64438F
51996-10	OBS 64438F
51996-11	OBS 64438F
52003-10	OBS 66881B
52015-01	OBS 68896F

Manufacturer's Part Number	Webb Part Number
<b>KIC/REYCO</b>	
52020-01	62200F
52020-01	OBS 66200F
52034-01	61730F
52034-01	62240F
52034-11	61730F
52034-11	68903F
52034-11	OBS 61728F
52034-11	OBS 68982F
52034-11	OBS 68983F
52059-10	66899B
52059-30	66886B
52110-10	OBS 68895F
52115-01	OBS 68922F
52115-30	OBS 68922F
52116-10	66899B
52120-01	OBS 68982F
52120-01	OBS 68983F
52120-10	61730F
52120-10	68903F
52120-10	OBS 61728F
52120-10	OBS 68982F
52120-10	OBS 68983F
52120-11	OBS 68983F
52120-12	68981B
52120-128	68981B
52134-01	68903F
52134-01	OBS 61728F
52134-01	OBS 68982F
52134-01	OBS 68983F
52150-11	64425F
52151-10	OBS 64402F
52151-20	OBS 64401F
52152-01	OBS 68955F
52152-10	OBS 68955F
52152-11	OBS 68955F
52162-01	OBS 67517F
52166-01	OBS 63430F
52166-11	OBS 63430F
52175-01	67205F
52178-11	67537F

\*When replacing existing drums in the field, ensure adequate wheel stud thread engagement.

<sup>2</sup>Webb brake drums are interchangeable with Motor Wheel brake drums; however, in some Motor Wheel assemblies the stud may have to be changed to accommodate the thicker backplate of the Webb brake drum. This is necessary when only the brake drum is being replaced.

\*\*Will become obsolete when current inventory is depleted. Call for availability - if purchased, parts are non-returnable.

## BRAKE DRUM CROSS REFERENCE SECTION



Manufacturer's Part Number	Webb Part Number
<b>KIC/REYCO</b>	
52182-01	OBS 64424F
52209-01	68882F
52210-01	OBS 68896F
52210-10	68940F
52210-20	68940F
52211-01	OBS 68898F
52219-01	68891F
52220-01	OBS 68862F
52221-01	61780F
52230-01	67518F
52230-10	67518F
52230-107	67518F
52230-12	OBS 67517F
52230-30	OBS 67519F
52230-31	67537F
52230-32	OBS 68955F
52243-01	62240F
52248-01	OBS 68902F
52248-10	OBS 68001F
52253-01	OBS 68924F
52257-01	68921F
52265-01	OBS 68916F
52266-01	62200F
52266-01	OBS 66200F
52274-01	OBS 62634F
52287-01	68730F
52292-01	OBS 64421F
52304-10	OBS 64015F
52304-10	OBS 64115F
52304-14	OBS 64115U
52304-148	OBS 64115D
52314-01	OBS 61555F
52314-10	OBS 66810F
52325-01	OBS 68665F
52325-11	OBS 68665F
52327-01	68765F
52327-10	68730F
52327-107	68730F
52327-11	68732F
52327-11	68765F

Manufacturer's Part Number	Webb Part Number
<b>KIC/REYCO</b>	
52336-10	64115A
52336-107	OBS 64215F
52336-108	64115B
52336-108	64115V
52336-14	64115V
52336-148	OBS 64115D
52336-44	OBS 64115D
52336-90	OBS 64115F
52336-908	64115B
52343-01	61548F
52344-01	OBS 61547F
52359-01	OBS 64455F
52369-01	64105F
52373-01	OBS 64424F
52374-01	64016F
52375-01	OBS 64463F
52386-01	OBS 64031F
52402-10	62358F
52438-01	OBS 62071F
52440-01	OBS 62072F
52447-10	OBS 63430F
52451-01	OBS 64433F
52458-01	OBS 64416F
52458-11	OBS 64416F
52472-11	OBS 64004F
52472-128	64004B
52472-31	OBS 64004F
52480-10	OBS 64009F
52480-108	64009B
52480-14	64009U
52480-148	64009D
52482-01	OBS 61598F
52482-10	61595F**
52482-11	OBS 61597F
52482-12	OBS 61517F
52488-01	OBS 64416F
52498-10	OBS 64009F
52501-01	OBS 65250F
52506-11	OBS 61517F
52506-12	OBS 61602F

Manufacturer's Part Number	Webb Part Number
<b>KIC/REYCO</b>	
52506-20	OBS 61598F
52509-01	OBS 63636F
52511-01	63637F
52522-10	61599F**
52522-11	61599F**
52522-12	61600B**
52522-12	61600B**
52522-13	61600B**
52522-13	61600B**
52522-13	OBS 67403B
52522-13	OBS 67403B
52522-30	61601F
52522-30	61601F
52522-31	61600B**
52522-31	61600B**
52522-31	OBS 67403B
52522-31	OBS 67403B
52525-10	64017F
52525-10	64017F
52526-10	OBS 64117F
52544-10	OBS 64113F
52544-108	64113B
52544-14	OBS 64113U
52544-148	64113D
52544-30	OBS 64112F
52544-308	64112B
52544-328	64112B
52544-328	64112D
52544-328	OBS 64112F
52557-01	OBS 63417F
52642-01	61791F
52647-01	68942F
52647-11	68882F
52647-11	68942F
52661-01	OBS 61604F
52662-01	61601F
52665-01	61612F**
52683-01	61600B**
52686-01	OBS 61549F
52686-11	OBS 61549F

<sup>1</sup>When replacing existing drums in the field, ensure adequate wheel stud thread engagement.

<sup>2</sup>Webb brake drums are interchangeable with Motor Wheel brake drums; however, in some Motor Wheel assemblies the stud may have to be changed to accommodate the thicker backplate of the Webb brake drum. This is necessary when only the brake drum is being replaced.

\*\*Will become obsolete when current inventory is depleted. Call for availability - if purchased, parts are non-returnable.





## BRAKE DRUM CROSS REFERENCE SECTION

Manufacturer's Part Number	Webb Part Number
<b>KIC/REYCO</b>	
52687-01	61727F
52688-10	OBS 68902F
52705-30	66895B
52705-308	66895B
52718-01	OBS 61605F
52726-10	OBS 67517F
52726-11	67518F
52736-01	61600B**
52736-01	OBS 61610F
52736-01	OBS 67403B
52740-11	64405F
52740-12	64404F
52743-01	63617F
52743-11	63617F
52746-01	OBS 61659F
52757-12	65004A
52757-128	65004A
52757-30	OBS 65004F
52757-308	OBS 65004B
52759-12	67518F
52760-11	66895B
52770-11	61606F**
52771-11	OBS 61573B
52773-11	63410F
52785-01	OBS 64456F
52788-01	61566F
52788-11	61566F
52790-11	OBS 64033F
52794-01	61854F
52795-11	OBS 62562F
52798-11	61571F
52799-11	OBS 61580F
52821-10	OBS 64015F
52821-10	OBS 64115F
52824-10	64017F
52824-10	OBS 64117F
52824-107	OBS 64217F
52824-108	64017B
52824-108	64117B
52824-138	64119B

Manufacturer's Part Number	Webb Part Number
<b>KIC/REYCO</b>	
52824-14	64117U
52824-148	64117D
52832-11	64035F
52833-11	64041F
52833-11	OBS 64037F
52834-01	64408F**
52860-01	OBS 63437F
52872-01	OBS 61555F
52873-01	64028F
52875-01	68012F
52875-01	68013F
52876-01	68012F
52877-11	60876F
52878-01	66892F
52878-01	66893F
52878-01	OBS 66853B
52882-01	63650F
52885-01	OBS 64471F
52885-11	OBS 64412F
52890-11	62997F
52890-11	63031B
52890-13	62997F
52900-017	68036F
52902-11	64466F
52903-01	64413F
52906-117	64036F
52906-119	64036B
52906-147	64036U
52906-149	64036D
52908-117	64038F
52908-119	64038B
52908-147	64038U
52908-149	64038D
52910-01	68760F
52918-01	66812F
52918-018	66812F
52918-04	66812U
52918-048	66812D
52919-01	65167B
52919-017	65169B

Manufacturer's Part Number	Webb Part Number
<b>KIC/REYCO</b>	
52919-019	65169B
52919-04	65167D
52919-047	65169D
52919-14	65167D
52928-01	66812F
52928-04	66812U
52928-14	66812V
52929-10	OBS 64001F
52929-14	OBS 64001U
52930-10	OBS 64004F
52931-10	OBS 64003F
52932-10	OBS 64009F
52933-10	OBS 64015F
52933-14	OBS 64015U
52933-148	64015D
52960-11	64017F
52965-107	OBS 64048F
52965-117	OBS 64048F
52965-119	64048B
52965-137	OBS 64048U
52965-147	OBS 64048U
52965-149	64048D
52966-107	OBS 64046F
52966-108	64046B
52966-109	64046B
52966-117	OBS 64046F
52966-137	OBS 64046F
52966-147	64046U
52966-149	64046D
52975-11	OBS 64040F
52975-118	64040B
52975-14	OBS 64040U
52975-148	64040D
52976-11	OBS 64089F
52976-118	64039B
52976-14	OBS 64089U
52976-14	64039U
52976-148	64039D
52980-01	64483B
52981-01	65541B

\*When replacing existing drums in the field, ensure adequate wheel stud thread engagement.

<sup>2</sup>Webb brake drums are interchangeable with Motor Wheel brake drums; however, in some Motor Wheel assemblies the stud may have to be changed to accommodate the thicker backplate of the Webb brake drum. This is necessary when only the brake drum is being replaced.

\*\*Will become obsolete when current inventory is depleted. Call for availability - if purchased, parts are non-returnable.

## BRAKE DRUM CROSS REFERENCE SECTION



Manufacturer's Part Number	Webb Part Number
<b>KIC/REYCO</b>	
52990-01	61788F
53002-01	64430F
53003-11	63427F
53004-11	OBS 62055F
53007-11	OBS 62074F
53011-017	OBS 64419F
53013-01	62200F
53013-01	OBS 66200F
53014-01	64041F
53020-01	64406F
53021-01	64448F
53022-01	64018F
53026-01	66893F
53026-01	OBS 66853B
53026-01	OBS 67101F
53029-01	OBS 64479F
53030-01	64414F
53031-30	62115B
53032-30	68897F
53033-01	66884F
53033-01	66864F
53033-30	66875F
53033-018	66864B
53035-017	64047F
53039-01	63631F
53039-11	63635F
53039-31	63688F
53052	OBS 64072F
53052-108	OBS 64072B
53052-14	OBS 64072U
53052-148	OBS 64072D
53059-10	64073
53075-018	61527B
52824-138	64119B
52824-148	64117D
54201-108	61528B
54201-108	77528B
54202-01	66873F
54203-01	61788F
54203-1	61788F

Manufacturer's Part Number	Webb Part Number
<b>KIC/REYCO</b>	
54204-01	68918F
54207-018	65514B
54209-018	66865B
54210-018	65266B
54211-01	64481F
54212-01	62671F
54213-01	66353F
54214-018	65554B
54215-01	63647F
54216-01	68845F
54217-018	62117B
54218-01	62240F
54220-018	64050B
54224-018	61527B
54225-018	65167B
54227-01	61591F
54229-01	66854F
54230-01	61854F
54231-01	OBS 64051F
54231-018	64051B
54232-018	64053B
54233-018	65600B
54234-018	65670B
54235-018	64047B
54236-018	66827B
54237-018	64045B
54238-018	65654B
54240-01	66366B
54241-018	65541B
54242-018	65162B
54243-018	65549B
54244	63680F
54244-01	63680F
54248-018	65152B
54249-01	68765F
54250-01	66250F
54253-018	64026B
54258-018	66364B
54259-018	65551B

Manufacturer's Part Number	Webb Part Number
<b>KIC/REYCO</b>	
54261-01	66884F
54261-018	66884B
54264-01	68958F
54266-018	65166B
54267-018	66661B
54268-018	66366B
54268-018	66374B
54270-018	61991B
54271-01	61577F
54272-018	65546B
54275-018	65651B
54276-018	65555B
54280-018	64115B
54281-018	64117B
54286-018	64089B
54287-01	64073F
54292-018	65170B
54293-018	65548B
54294-018	66816F
54295-018	61950B
54727-01	66814F
60000-018	66864
60001-018	66864B
60001-018	77864BW
<b>M.A.N. BUS</b>	
81.50110.0144	OBS 64089F
81.50110.0147	OBS 64040F
81.50110.3144	64039F
<b>MACK</b>	
145426	68731F
1739326	OBS 61517F
17QJ-17302-P3	OBS 64437F
17QJ-1913-P3	OBS 68896F
17QJ-1913-P4	OBS 68896F
17QJ-19302-P1	OBS 64437F
17QJ-19302-P4	OBS 62562F
17QJ-19302-P5	OBS 65511B
17QJ-228-P1	OBS 68896F
17QJ-246-BP4	OBS 63411F

<sup>1</sup>When replacing existing drums in the field, ensure adequate wheel stud thread engagement.

<sup>2</sup>Webb brake drums are interchangeable with Motor Wheel brake drums; however, in some Motor Wheel assemblies the stud may have to be changed to accommodate the thicker backplate of the Webb brake drum. This is necessary when only the brake drum is being replaced.

\*\*Will become obsolete when current inventory is depleted. Call for availability - if purchased, parts are non-returnable.



## BRAKE DRUM CROSS REFERENCE SECTION

Manufacturer's Part Number	Webb Part Number
<b>MACK</b>	
17QJ-246-BP5	61791F
17QJ-246-P4	OBS 63411F
17QJ-246-P5	61791F
17QJ-246-P6	61791F
17QJ-293587	61730F
17QJ-3119-CP	OBS 63241F
17QJ-3125-AP1	OBS 63411F
17QJ-3125-AP4	61791F
17QJ-3125-BP1	OBS 63411F
17QJ-3125-CP1	OBS 63411F
17QJ-3125-DP1	OBS 63411F
17QJ-3125-DP4	61791F
17QJ-3134	OBS 63411F
17QJ-3137-P1	OBS 68896F
17QJ-3137-P2	OBS 68896F
17QJ-3143	OBS 63411F
17QJ-3144-BP1	61733F
17QJ-3144-BP1	OBS 61723F
17QJ-3144-BP2	61733F
17QJ-3144-BP2	OBS 61723F
17QJ-3144-P1	61733F
17QJ-3144-P1	OBS 61723F
17QJ-3144-P2	61733F
17QJ-3144-P2	OBS 61723F
17QJ-3156-AP2	67518F
17QJ-3162-B	OBS 68862F
17QJ-3165-AP1	OBS 68926F
17QJ-3176	OBS 63430F
17QJ-3176-AP1	OBS 63430F
17QJ-3176-BP2	61780F
17QJ-3176-CP1	OBS 63430F
17QJ-3176-CP2	61780F
17QJ-3176-P1	OBS 63430F
17QJ-3176-P2	61780F
17QJ-3178	OBS 68896F
17QJ-3182	OBS 68896F
17QJ-3182-AP5	68897F
17QJ-3182-BP5	OBS 68896F
17QJ-3182-BPA	68897F
17QJ-3182-P3	OBS 68896F

Manufacturer's Part Number	Webb Part Number
<b>MACK</b>	
17QJ-3182-P4	68897F
17QJ-3182-P5	68897F
17QJ-3185-AP1	OBS 63430F
17QJ-3185-P1	OBS 63430F
17QJ-3187	61606F**
17QJ-3187-A	61606F**
17QJ-3189	61599F**
17QJ-3189-AP4	61599F**
17QJ-3189-P3	61599F**
17QJ-3189-P4	61599F**
17QJ-3190	OBS 61605F
17QJ-3198	OBS 68896F
17QJ-3200-A	68897F
17QJ-3204	61780F
17QJ-3205-P2	61599F**
17QJ-3206-P2	OBS 61605F
17QJ-3207	61791F
17QJ-3208-P1	OBS 68896F
17QJ-3208-P2	68897F
17QJ-3213-P2	OBS 63214F
17QJ-3216	61780F
17QJ-3225	61859F
17QJ-3235	68897F
17QJ-3236	61791F
17QJ-3237-P1	62115B
17QJ-3237-P2	62115B
17QJ-3239-AP1	62117F
17QJ-3239-AP2	62117F
17QJ-3239-P1	62117F
17QJ-3239-P2	62117F
17QJ-3240-A	OBS 63240F
17QJ-3248	68897F
17QJ-378	OBS 68896F
17QJ-39301-A	66852F
17QJ-39301-A	66892F
17QJ-39302	61574F
17QJ-39306	66893F
17QJ-39306	OBS 66853B
17QJ-39307	61571F
17QJ-39307	67128F

Manufacturer's Part Number	Webb Part Number
<b>MACK</b>	
17QJ-39308	66893F
17QJ-39308	OBS 66853B
17QJ-39309	65651B
17QJ-39311	68981B
17QJ-39312	63031B
17QJ-39313	OBS 63030B
17QJ-39315	66852F
17QJ-39315	66892F
17QJ-39317	61600B**
17QJ-39322	66852F
17QJ-39322	66892F
17QJ-39324	67518F
17QJ-39326	65550B
17QJ-39330	61600B**
17QJ-39331	68891F
17QJ-39334	65650B
17QJ-39337	65550F
17QJ-39337	67945B
17QJ39340	65157B
17QJ-39341	67518F
17QJ-4065-A	OBS 62057F
17QJ4101	61791B
17QJ4102	66878F
17QJ4103	66852B
17QJ4103	66892B
17QJ4104	66895B
17QJ4105	65550B
17QJ4106	61528B
17QJ-419	OBS 68896F
17QJ-419-BP1	OBS 68896F
17QJ-419-BP3	OBS 68896F
17QJ-441	OBS 68896F
17QJ-441-BP1	61733F
17QJ-441-BP1	OBS 61723F
17QJ-441-BP2	61733F
17QJ-441-BP2	OBS 61723F
17QJ-441-DP1	OBS 68896F
17QJ-441-DP2	OBS 68896F
17QJ-441-DP5	68897F
17QJ-441-EP1	OBS 68896F

\*When replacing existing drums in the field, ensure adequate wheel stud thread engagement.

<sup>2</sup>Webb brake drums are interchangeable with Motor Wheel brake drums; however, in some Motor Wheel assemblies the stud may have to be changed to accommodate the thicker backplate of the Webb brake drum. This is necessary when only the brake drum is being replaced.

\*\*Will become obsolete when current inventory is depleted. Call for availability - if purchased, parts are non-returnable.



## BRAKE DRUM CROSS REFERENCE SECTION



Manufacturer's Part Number	Webb Part Number
<b>MACK</b>	
17QJ-441-EP5	68897F
17QJ-441-FP1	OBS 68896F
17QJ-441-FP2	OBS 68896F
17QJ-441-FP5	68897F
17QJ-441-FP6	OBS 68896F
17QJ-441-FP7	68897F
17QJ-441-GP1	OBS 68896F
17QJ-441-GP2	OBS 68896F
17QJ-441-GP5	68897F
17QJ-441-GP6	OBS 68896F
17QJ-441-GP7	68897F
17QJ-441-JP5	68897F
17QJ-441-JP6	OBS 68896F
17QJ-441-KP5	68897F
17QJ-448	OBS 68896F
17QJ-465-P3	OBS 62057F
17QJ-469-AP2	61788F
17QJ-470	61788F
17QJ-475	61599F**
17QJ477	61780B
17QJ-478	61780B
17QJ-479-P1	63294B
17QJ-479-P1	63294F
17QJ-479-P2	63294B
17QJ-479-P2	63294F
17QJ-483	61780F
17QJ-49302	65550B
2121-31200-70	61600B**
215581	68731F
215881	OBS 61728F
245581	68731F
293392	OBS 66200F
293397	OBS 66200F
293587	61730F
293587	OBS 61728F
293686	67518F
293760	OBS 61777F
293802	OBS 68923F
293803	OBS 61777F
293805	61780F

Manufacturer's Part Number	Webb Part Number
<b>MACK</b>	
293844	61730F
293848	OBS 68983F
293921	OBS 68001F
293931	OBS 68902F
293945	OBS 68955F
293948	OBS 68983F
29850	OBS 66200F
3398	OBS 61728F
33982542	68897F
33983401X	66864F
33983401X	76864B
33983401X	77864BW
393405	OBS 68983F
393410	OBS 68982F
393412	OBS 65511B
393425	OBS 68955F
393443	61601F
393450	61600B**
393464	OBS 68955F
393473	61600B**
393485	OBS 64490F
393527	OBS 68983F
393528	OBS 68416F
393587	OBS 61728F
393816	OBS 68983F
393820	OBS 65511B
393831	61600B**
393837	61601F
393838	OBS 62562F
393840	61600B**
393844	OBS 61728F
393855	OBS 68983F
393867	67518F
393879	OBS 64437F
393896	62240F
393902	61854F
393954	63031B
393955	OBS 63030B
393966	61853F
393971	61855F

Manufacturer's Part Number	Webb Part Number
<b>MACK</b>	
393981	65256C
5000445283	66283F
5000545436	OBS 63236F
5000546579	OBS 63279F
5000653354	OBS 63290F
5000654290	OBS 63290F
513960	61601F
531491	OBS 68983F
5600200037	OBS 63290F
5600210008	66283F
5600210127	66283F
5600210172B	OBS 63279F
61-SR-100	OBS 65511B
61-SR-102	OBS 62562F
61-SR-104	61600B**
61-SR-106	OBS 68983F
61-SR-109	OBS 61602F
61-SR-114	67537F
61-SR-124	OBS 65511B
61-SR-125	OBS 62562F
61-SR-126	67518F
61-SR-133	OBS 61517F
61-SR-70	OBS 61728F
61-SR-72	61854F
61-SR-80	OBS 68983F
61-SR-86	OBS 68983F
61-SR-87	OBS 68983F
61-SR-99	61601F
9872-87295B	66852B
9872-87295B	66892B
9872-87436	65551B
9872-87440	65651B
9872-89877B	66873B
<b>MANAC</b>	
213-1690	76864B
213-1690	77864BW
<b>MCI</b>	
15-C-2-3-7	OBS 64004F
15-C-3-6	OBS 64009F
15-F-5-1	OBS 65004F

<sup>1</sup>When replacing existing drums in the field, ensure adequate wheel stud thread engagement.

<sup>2</sup>Webb brake drums are interchangeable with Motor Wheel brake drums; however, in some Motor Wheel assemblies the stud may have to be changed to accommodate the thicker backplate of the Webb brake drum. This is necessary when only the brake drum is being replaced.

\*\*Will become obsolete when current inventory is depleted. Call for availability - if purchased, parts are non-returnable.



## BRAKE DRUM CROSS REFERENCE SECTION

Manufacturer's Part Number	Webb Part Number
<b>MCI</b>	
15-G-2-1	OBS 64004F
15-G-3-2	OBS 64009F
15J-3-7	OBS 64115F
15K-2-3	OBS 64004F
15K-2-4	64119B
<b>MERCEDES</b>	
344.421.70.01	OBS 62055F
344.423.70.01	OBS 62074F
<b>METANEIDE</b>	
100133B	65710B
100206B	66864B
100206B	76864B
100206B	77864BW
100206U	66864F
100206U	76864B
100206U	77864BW
100207U	68981F
100208B	66895B
100208U	66895F
100209U	67518F
100210U	68730F
100211U	62200F
100212U	68897F
100213U	66893F
100214U	61780F
100215U	62997F
100218U	66875F
100219U	66873F
100220U	60876F
100221U	68942F
100222B	65514B
100225B	65548B
100226B	61528B
100227U	68958F
100228B	62117B
100229B	65266B
100232B	66353B
<b>MOTOR WHEEL/BUDD <sup>2</sup></b>	
101198	OBS 64440F
101208	66857F

Manufacturer's Part Number	Webb Part Number
<b>MOTOR WHEEL/BUDD <sup>2</sup></b>	
101282	OBS 64443F
101287	61554F
101289	OBS 64446F
101292	OBS 64492F
101656	66852F
101656	66892F
101657	66852F
101657	66892F
102168	66852F
102168	66892F
103156	64454F
103189	64454F
104769	66852F
104769	66892F
104771	66852F
104771	66892F
104819	66852F
104819	66892F
104828	61591F
105232	64432F
105233	64403F
105341	64445F
105648	67518F
105649	68730F
105651	62240F
105656	68765F
105657	62200F
105657	OBS 66200F
105711	68730F
106164	66884F
106165	66864B
106165	66884B
106165	76864B
106165	77864BW
106165	OBS 69996B
106371	OBS 66874B
106372	OBS 66874B
106437	61528B
106443	65710B
106449	61528B

Manufacturer's Part Number	Webb Part Number
<b>MOTOR WHEEL/BUDD <sup>2</sup></b>	
106452	65710B
106457	OBS 66874B
106933	66852F
106933	66892F
106934	61591F
11500	66857F
2308001	61591
2308002	66852
2308002	66892
230-8400	61577F
230-8401	61527B
230-8401	61528B
230-8406	65710B
230-8704	65710B
230-8705	61528B
230-8708	65162
230-8709	66864B
230-8709	66884B
230-8709	66884F
230-8709	76864B
230-8709	77864BW
230-8712	66884F
230-8804	62671
235-9001	66884F
235-9001S	66884F
235-9002	66864B
235-9002	66884B
235-9002	76864B
235-9002	77864BW
235-9002S	66864B
235-9002S	66884B
235-9002S	76864B
235-9002S	77864BW
235-9102	61528B
235-9103	65541B
236-9101	67518F
236-9102	61727F
236-9103	68981B
236-9104	68765F
236-9105	62997F

<sup>1</sup>When replacing existing drums in the field, ensure adequate wheel stud thread engagement.

<sup>2</sup>Webb brake drums are interchangeable with Motor Wheel brake drums; however, in some Motor Wheel assemblies the stud may have to be changed to accommodate the thicker backplate of the Webb brake drum. This is necessary when only the brake drum is being replaced.

\*\*Will become obsolete when current inventory is depleted. Call for availability - if purchased, parts are non-returnable.

## BRAKE DRUM CROSS REFERENCE SECTION



Manufacturer's Part Number	Webb Part Number
<b>MOTOR WHEEL/BUDD <sup>2</sup></b>	
236-9106	68730F
236-9107	68921F
236-9108	62200F
236-9108	OBS 66200F
236-9109	68013F
236-9110	66893F
236-9110	OBS 66853B
236-9111	66895B
59742	OBS 66200F
59789	OBS 66200F
600001	65710B
600001	77710B
630003	66875B
630006	66814
633027	65162B
65319	OBS 67547F
75202	62200F
75202	OBS 68917F
75203	62200F
77761	62200F
77761	OBS 68917F
84555	68730F
85130	68730F
85187	68765F
85199	68882F
85220	OBS 68898F
85225	OBS 68895F
85369	62200F
85423	OBS 68665F
85425	68765F
85426	68730F
85474	67537F
85476	OBS 67519F
85577	OBS 68922F
85593	67518F
85617	68921F
85625	64016F
85638	64105F
85650	61548F
85654	OBS 67519F

Manufacturer's Part Number	Webb Part Number
<b>MOTOR WHEEL/BUDD <sup>2</sup></b>	
85704	68981B
85779	64406F
85790	68942F
85792	68940F
85798	OBS 68898F
85820	OBS 68923F
85823	OBS 68896F
85826	68897F
85827	68731F
85829	OBS 68916F
85831	62200F
85831	OBS 66200F
85833	OBS 63411F
85835	OBS 66891F
85927	OBS 61549F
85936	OBS 61580F
85968	68981B
85970	62199F
85983	OBS 68902F
85984	OBS 64482F
86020	68927F
86036	61730F
86036	62240F
86125	61791F
86134	68730F
86140	62200F
86141	67518F
86180	OBS 61517F
86182	61595F**
86182	OBS 61597F
86206	OBS 63430F
86232	66895B
86295	OBS 67517F
86298	61606F**
86302	68891F
86332	OBS 61547F
86334	OBS 61864F
86339	OBS 61580F
86341	61854F
86343	OBS 61852F

Manufacturer's Part Number	Webb Part Number
<b>MOTOR WHEEL/BUDD <sup>2</sup></b>	
86345	61862F
86356	68765F
86357	OBS 68665F
86366	67205F
86371	OBS 66810F
86385	OBS 68955F
86398	OBS 68941F
86402	61599F**
86407	OBS 61605F
86410	OBS 61602F
86420	OBS 64402F
86428	OBS 64401F
86441	OBS 61598F
86447	OBS 61598F
86481	OBS 61547F
86482	OBS 61517F
86514	OBS 61604F
86554	68731F
86556	61601F
86559	61600B**
86582	61548F
86662	OBS 61659F
86670	68733F
86682	OBS 61659F
86688	OBS 61602F
86744	OBS 68983F
86749	64028F
86752	61600B**
86758	OBS 61728F
86766	OBS 64450F
86769	61601F
86772	OBS 61545F
86788	61780F
86794	66895B
86807	68897F
86832	OBS 61573B
86851	68946F
86879	66893F
86879	OBS 66853B
86889	66815F

<sup>1</sup>When replacing existing drums in the field, ensure adequate wheel stud thread engagement.

<sup>2</sup>Webb brake drums are interchangeable with Motor Wheel brake drums; however, in some Motor Wheel assemblies the stud may have to be changed to accommodate the thicker backplate of the Webb brake drum. This is necessary when only the brake drum is being replaced.

\*\*Will become obsolete when current inventory is depleted. Call for availability - if purchased, parts are non-returnable.



## BRAKE DRUM CROSS REFERENCE SECTION

Manufacturer's Part Number	Webb Part Number
<b>MOTOR WHEEL/BUDD <sup>2</sup></b>	
86909	62200F
86935	61571F
86967	61599F**
86968	61599F**
86989	61780F
87046	68730F
87101	66893F
87101	OBS 66853B
87109	61780F
87128	61571F
87129	OBS 61580F
87156	66895B
87166	61574F
87187	66895B
87189	68897F
87190	61791F
87205	61599F** (2)
87206	OBS 61605F
87295	66852F
87295	66892F
87397	67518F
87399	OBS 61517F
87403	61600B**
87405	68981B
87407	62200F
87407	OBS 66200F
87413	OBS 61604F
87415	68730F
87417	68921F
87419	68897F
87434	61791F
87435	61780F
87436	65551B
87440	65651B
87442	OBS 61573B
87537	64483F
87608	68942F
87615	66815F
87706	OBS 67706B
87707	65650B

Manufacturer's Part Number	Webb Part Number
<b>MOTOR WHEEL/BUDD <sup>2</sup></b>	
87828	64449F
87945	65550B
88085	68927F
88103	OBS 61659F
88104	OBS 61598F
88114	65541B
88115	64483F
88245	64449F
88376	68891F
88450	61599F**
88739	65739B
88797	66875F
88870	65543B
88870	OBS 68872B
89467	66811F
89571	66816F
89571	OBS 69571B
89651	66878F
89843	68958F
89855	65157B
89870B	61528B
89870B	65554B
89877	66873F
89996	66864B
89996	66884B
89996B	76864B
89996B	77864BW
90089	65547B
90172	OBS 61581F
90378	65167B
90378B	OBS 69378B
90423	68730F
90430	OBS 66200F
90434B	66814B
90455	64445F
90486	66814B
90486	OBS 67486B
90660	65545B
90660	65565B
90818	OBS 68736F

Manufacturer's Part Number	Webb Part Number
<b>MOTOR WHEEL/BUDD <sup>2</sup></b>	
91012	64445F
91137	65547B
91265B	65152B
91723B	61989B
91725B	61988B
91792B	66800B
91792B	66808B
91812B	66854
92617	64449F
92618	64449F
93151	OBS 61602F
93649	OBS 64407F
93659	OBS 64407F
93678	OBS 64460F
93688	OBS 64407
94425	OBS 65246F
94444	64449F
94544	64449F
95725	64430B
95727	64430B
95733	OBS 64429F
95734	OBS 64429F
95735	OBS 64429F
97952	64408F**
97953	64408F**
98223	62200F
98501	OBS 61575F
98529	62200F
98625	OBS 64492F
98626	OBS 64492F
98628	OBS 64446F
98681	61554F
99202	OBS 64440F
99203	OBS 64440F
99213	66857F
SR97952	OBS 64428F
<b>NAPA/BALKAMP</b>	
821-9001	61566F
821-9002	64105F
821-9004	64425F

<sup>1</sup>When replacing existing drums in the field, ensure adequate wheel stud thread engagement.

<sup>2</sup>Webb brake drums are interchangeable with Motor Wheel brake drums; however, in some Motor Wheel assemblies the stud may have to be changed to accommodate the thicker backplate of the Webb brake drum. This is necessary when only the brake drum is being replaced.

\*\*Will become obsolete when current inventory is depleted. Call for availability - if purchased, parts are non-returnable.



## BRAKE DRUM CROSS REFERENCE SECTION



Manufacturer's Part Number	Webb Part Number
<b>NAPA/BALKAMP</b>	
821-9006	61612F**
821-9007	OBS 64455F
821-9012	61548F
821-9013	64018F
821-9015	61727F
821-9022	63637F
821-9029	64016F
821-9031	61606F**
821-9042	61612F**
821-9045	61659F
821-9048	64406F
821-9049	64408F**
821-9050	64426F
821-9052	68882F
821-9052	68942F
821-9053	68940F
821-9055	62997F
821-9056	63427F
821-9058	68013F
821-9060	64417F
821-9062	68036F
821-9063	64028F
821-9068	64456F
821-9070	64404F
821-9071	64405F
821-9072	64453F
821-9074	64413F
821-9076	64449F
821-9078	64412F
821-9082	64485F
821-9089	67519F
821-9090	68981B
821-9090	68982F
821-9099	67518F
821-9103	61601F
821-9104	62199F
821-9105	61600B**
821-9114	68730F
821-9116	68765F
821-9123	61780F

Manufacturer's Part Number	Webb Part Number
<b>NAPA/BALKAMP</b>	
821-9141	62200F
821-9141	66200F
821-9143	61730F
821-9143	62240F
821-9150	64448F
821-9160	61573F
821-9161	62240F
821-9162	61853F
821-9164	67518F
821-9167	68730F
821-9180	65514B
821-9183	66895F
821-9184	65541B
821-9185	66853B
821-9187	63617F
821-9187	63647F
821-9188	61791F
821-9189	68897F
821-9191	61591F
821-9192	66857F
821-9195	65549F
821-9196	61601F
821-9200	68981F
821-9202	68897F
821-9203	61599F**
821-9206	68882F
821-9206	68981F
821-9207	64485F
821-9213	64430F
821-9216	66899F
821-9224	64466F
821-9225	64414F
821-9236	64478F
821-9237	68882F
821-9237	68942F
821-9238	68036F
821-9239	63035F
821-9240	64481F
821-9241	61503F
821-9242	63631F

Manufacturer's Part Number	Webb Part Number
<b>NAPA/BALKAMP</b>	
821-9243	63635F
821-9246	68897F
821-9247	65157F
821-9251	62117F
821-9253	64489F
821-9254	64483F
821-9258	68918F
821-9261	OBS 66874B
821-9263	OBS 61542F
821-9267	63240F
821-9270	61859F
821-9271	66852F
821-9271	66892F
821-9272	68760F
821-9274	60876F
821-9275	61788F
821-9276	61554F
821-9277	66853B
821-9277	66893F
821-9278	65514B
821-9279	65651B
821-9280	66852F
821-9281	64444F
821-9282	68958F
821-9283	66852F
821-9283	66892F
821-9284	68921F
821-9286	66812F
821-9287	65167B
821-9288	68848F
821-9297	65256B
821-9301	68922F
821-9304	65515F
821-9305	65511F
821-9306	64426F
821-9309	61600B**
821-9314	61599F**
821-9315	65516B
821-9319	64448F
821-9320	64473F

<sup>1</sup>When replacing existing drums in the field, ensure adequate wheel stud thread engagement.

<sup>2</sup>Webb brake drums are interchangeable with Motor Wheel brake drums; however, in some Motor Wheel assemblies the stud may have to be changed to accommodate the thicker backplate of the Webb brake drum. This is necessary when only the brake drum is being replaced.

\*\*Will become obsolete when current inventory is depleted. Call for availability - if purchased, parts are non-returnable.



## BRAKE DRUM CROSS REFERENCE SECTION

Manufacturer's Part Number	Webb Part Number
<b>NAPA/BALKAMP</b>	
821-9321	63650F
821-9322	64445F
821-9326	66864B
821-9326	66884B
821-9326	76864B
821-9326	77864BW
821-9336	66886F
821-9337	64477F
821-9338	65167B
821-9339	65157B
821-9340	66812F
821-9343	64426F
821-9344	68927F
821-9349	63290F
821-9351	65256B
821-9352	65266B
821-9353	65266B
821-9355	65157F
821-9358	62240F
821-9361	68012F
821-9362	66895F
821-9363	68903F
821-9364	64481F
821-9365	67518F
821-9369	64489F
821-9370	61528B
821-9371	68988F
821-9372	68989F
821-9374	68887F
821-9375	63031B
821-9376	OBS 64479F
821-9377	65514B
821-9378	65514B
821-9383	61606F**
<b>NAVISTAR/INTERNATIONAL</b>	
112998R1	OBS 61728F
135692R1	61730F
135692R1	OBS 61728F
1608459C17	65549B
1608467C1	65516B

Manufacturer's Part Number	Webb Part Number
<b>NAVISTAR/INTERNATIONAL</b>	
1613122C1	61528B
1616906C1	66884B
1621677C1	66864/66884
1648155C1	64489F
1648316C1	66875F
1648316C1	OBS 68797B
1648360C1	66864B
1648360C1	66884B
1648360C2	66864B
1648360C2	66884B
1648512C1	OBS 63435F
1648513C1	64444B
1648513C1	64444F
1648514C1	68958F
1648515C1	68887B
1648516C1	68958F
1648516C2	68958F
1648845-C1	63435B
1648846C1	64444F
1649493C1	68989F
1652871C1	66864B
1652871C1	66884B
1653545C1	65710B
1660599C1	61528B
1660600C1	65710B
1660600C2	65710B
1670176C1	66353F
1689468C1	61528B
1693986C1	65543B
171626R1	OBS 64455F
171627R1	OBS 64465F
172720R1	OBS 68898F
172720R91	OBS 68898F
172721R1	OBS 68895F
187445R1	OBS 62755F
193839R92	68882F
19389R1	68882F
194604R1	OBS 68895F
194604R91	OBS 68895F
194605R1	OBS 68898F

Manufacturer's Part Number	Webb Part Number
<b>NAVISTAR/INTERNATIONAL</b>	
194605R91	OBS 68898F
2000294C1	65166B
2000300C1	66893B
2007012C1	61528B
2007012C2	61528B
2009641C1	65543B
2009648C1	66875B
227621C1	68942F
228279R91	68940F
228295R91	OBS 68955F
228296R91	68942F
228297R91	68940F
228470R91	OBS 68898F
239963R1	OBS 68898F
243449R1	OBS 68983F
251216C91	OBS 61728F
252746C1	OBS 62562F
2570163C1	61600B**
257163C1	61600B**
2605072C1	66864B
275149C1	OBS 61659F
277621C1	68882F
281622C1	OBS 64412F
282322C1	OBS 61622F
283622C1	OBS 61503F
283834C1	OBS 64494F
283835C1	OBS 64473F
284848C1	61601F
300117C1	OBS 64480F
303799C1	64028F
311313C91	OBS 61651F
315667C1	68981B
315667C1	OBS 68983F
315729C91	64028F
321689C1	61600B**
325120C1	64414F
331893C1	OBS 64435F
337630C2	68882F
344779C1	61600B**
3502448C1	66350B

<sup>1</sup>When replacing existing drums in the field, ensure adequate wheel stud thread engagement.

<sup>2</sup>Webb brake drums are interchangeable with Motor Wheel brake drums; however, in some Motor Wheel assemblies the stud may have to be changed to accommodate the thicker backplate of the Webb brake drum. This is necessary when only the brake drum is being replaced.

\*\*Will become obsolete when current inventory is depleted. Call for availability - if purchased, parts are non-returnable.

## BRAKE DRUM CROSS REFERENCE SECTION



Manufacturer's Part Number	Webb Part Number
<b>NAVISTAR/INTERNATIONAL</b>	
3502452C1	66250B
352120C1	OBS 64415F
352121C1	OBS 63152F
356980C1	68981B
403962C1	OBS 61728F
408063C1	61600B**
408109C1	OBS 64435F
408111C1	OBS 64471F
413337C1	OBS 64427F
413357C1	OBS 64427F
413360C1	OBS 64436F
413382C1	OBS 64456F
413383C1	64466F
423010C1	68942F
423069R1	OBS 68955F
424628R1	OBS 68001F
428732R91	62200F
428811R91	67518F
433184C1	61854F
435186R91	66899B
438032C1	OBS 65511B
448305R1	68893F
454467C1	OBS 64446F
454636C1	63436F
454637C1	68988F
454646C1	64414F
454647C1	64481F
454652C1	OBS 64492F
454659C1	64413F
454667C1	OBS 64446F
454668C1	61554F
454674C1	OBS 64474F
457550C1	68981B
457695C1	64466
457695C2	64466F
459848C2	61601F
459855C1	65157B
470471C1	61855F
472273C1	65256B
479649C1	68942F

Manufacturer's Part Number	Webb Part Number
<b>NAVISTAR/INTERNATIONAL</b>	
483455C1	OBS 61542F
485608C1	OBS 68983F
487385C91	61571F
487906C1	OBS 64496F
487907C1	OBS 64488F
490573C1	OBS 64464F
490574C1	OBS 64422F
490575C1	OBS 61555F
493603C1	68733F
493604C1	61850F
504115C1	65514B
504120C1	65514B
504145C1	63032F
506555C1	61601F
513071C1	68981B
523510C1	68981B
523662C1	64414B
523859C1	63436F
523919C1	62240F
534882C2	65266B
54491R91	OBS 61728F
548789C1	65516B
561195C1	OBS 61728F
571208C1	68882F
571208C1	68942F
576703C1	OBS 66860F
576704C1	OBS 66461F
576705C1	66852F
576705C1	66892F
576706C1	68981B
576708C1	66893F
576708C1	OBS 66853B
576708C1	OBS 67101B
578503C1	65266B
579021C1	OBS 64488F
581662C1	68940F
581663C1	68942F
581665C1	64028F
581666C1	OBS 61659F
58605R1	62200F

Manufacturer's Part Number	Webb Part Number
<b>NAVISTAR/INTERNATIONAL</b>	
589834C1	68918F
593098C1	65157B
593099C1	65167B
62689HA	OBS 64469F
681267R1	OBS 65511B
681279R1	68942F
682872R1	66852F
682872R1	66892F
682879R1	68942F
682879R2	68942
69357R1	66899B
73665R1	OBS 68895F
73665R3	OBS 68895F
73665R3	68940F
745006C1	OBS 62562F
754775C1	OBS 61598F
756294C91	OBS 61659F
756390C1	66899B
757910C1	OBS 61651F
759848C2	OBS 65257B
779498C91	OBS 61659F
812088	61854F
81437K91	61730F
81437R91	61730F
81437R91	OBS 61728F
81438K91	61730F
81438K91	OBS 61728F
82037R1	OBS 68898F
828279R91	68940F
83647R11	OBS 67547F
83648	OBS 67547F
83653R1	68882F
83658R1	68882F
861195C1	OBS 61728F
868177R1	OBS 64434F
872088R1	61854F
87288R1	61854F
875831R1	68940F
87788R1	61854F
88328R1	OBS 68924F

<sup>1</sup>When replacing existing drums in the field, ensure adequate wheel stud thread engagement.

<sup>2</sup>Webb brake drums are interchangeable with Motor Wheel brake drums; however, in some Motor Wheel assemblies the stud may have to be changed to accommodate the thicker backplate of the Webb brake drum. This is necessary when only the brake drum is being replaced.

\*\*Will become obsolete when current inventory is depleted. Call for availability - if purchased, parts are non-returnable.





## BRAKE DRUM CROSS REFERENCE SECTION

Manufacturer's Part Number	Webb Part Number
<b>NAVISTAR/INTERNATIONAL</b>	
925547R1	61601F
967305R1	68765F
969128-HB	OBS 61517F
973240R1	OBS 62142F
973241R1	67518F
973243R1	67518F
974814R2	OBS 67519F
980625R1	OBS 68955F
984022R1	OBS 62119F
<b>NEOPLAN</b>	
AK0700001-042	OBS 64115F
AK0800001-030	OBS 64117F
DF0700001-085	OBS 64059F
DF0800001-033	OBS 64062F
<b>NEW LIFE</b>	
1302467	66864B
<b>NOVA BUS</b>	
6329670	66364B
<b>NWRA</b>	
X-60000	OBS 66285F
X-60004	64426F
X-60007	OBS 62142F
X-60008	61856F
X-60008	OBS 61858F
X-60009	61854F
X-60010	68903F
X-60011	OBS 61728F
X-60012	68942F
X-60013	OBS 68898F
X-60014	68921F
X-60015	OBS 68895F
X-60015	68940F
X-60018	OBS 68896F
X-60019	68882F
X-60020	OBS 64465F
X-60021	OBS 62439F
X-60025	62199F
X-60026	66899B
X-60031	OBS 61627F
X-60032	68897F

Manufacturer's Part Number	Webb Part Number
<b>NWRA</b>	
X-60034	OBS 61774F
X-60037	OBS 61957F
X-60039	61780F
X-60041	62240F
X-60041	OBS 61729F
X-60041	OBS 68416F
X-60042	68927F
X-60043	68946F
X-60044	OBS 61628F
X-60045	OBS 64438F
X-60046	62200F
X-60046	OBS 66200F
X-60047	61730F
X-60047	62240F
X-60048	OBS 68922F
X-60049	OBS 68983F
X-60050	OBS 68983F
X-60053	OBS 64402F
X-60054	OBS 64401F
X-60055	OBS 68955F
X-60060	68882F
X-60061	OBS 68898F
X-60064	OBS 68862F
X-60065	67518F
X-60066	OBS 67519F
X-60067	67537F
X-60070	OBS 64421F
X-60076	68765F
X-60077	68730F
X-60079	61548F
X-60080	OBS 61547F
X-60081	OBS 64455F
X-60083	64105F
X-60084	OBS 64424F
X-60085	64016F
X-60086	61727F
X-60087	62358F
X-60089	OBS 63430F
X-60090	64448F
X-60091	64406F

Manufacturer's Part Number	Webb Part Number
<b>NWRA</b>	
X-60094	OBS 63430F
X-60096	OBS 64416F
X-60097	OBS 61598F
X-60098	61595F**
X-60099	OBS 61597F
X-60100	OBS 61517F
X-60102	OBS 61517F
X-60103	OBS 61602F
X-60104	OBS 61598F
X-60105	63637F
X-60107	61599F**
X-60108	61600B**
X-60108	OBS 67403B
X-60109	68942F
X-60110	61601F
X-60111	61612F**
X-60112	OBS 61549F
X-60113	OBS 68902F
X-60114	67518F
X-60116	OBS 68895F
X-60119	OBS 64003F
X-60119	OBS 64113F
X-60122	OBS 68665F
X-60123	67518F
X-60125	OBS 68955F
X-60126	61606F**
X-60130	64018F
X-60131	OBS 62562F
X-60132	OBS 64009F
X-60134	68946F
X-60135	61727F
X-60137	OBS 64420F
X-60138	61566F
X-60140	OBS 66847F
X-60142	OBS 61545F
X-60143	OBS 61659F
X-60147	68940F
X-60148	OBS 68898F
X-60149	OBS 68916F
X-60154	OBS 63437F

<sup>1</sup>When replacing existing drums in the field, ensure adequate wheel stud thread engagement.

<sup>2</sup>Webb brake drums are interchangeable with Motor Wheel brake drums; however, in some Motor Wheel assemblies the stud may have to be changed to accommodate the thicker backplate of the Webb brake drum. This is necessary when only the brake drum is being replaced.

\*\*Will become obsolete when current inventory is depleted. Call for availability - if purchased, parts are non-returnable.

## BRAKE DRUM CROSS REFERENCE SECTION



Manufacturer's Part Number	Webb Part Number
<b>NWRA</b>	
X-60155	68903F
X-60156	67205F
X-60157	64425F
X-60160	OBS 61604F
X-60161	61601F
X-60162	61730F
X-60162	68903F
X-60162	OBS 61728F
X-60162	OBS 68982F
X-60162	OBS 68983F
X-60163	OBS 61573B
X-60163	OBS 67442B
X-60165	OBS 68896F
X-60167	61780F
X-60175	OBS 64485F
X-60176	OBS 64434F
X-60178	64406F
X-60183	OBS 63636F
X-60184	63637F
X-60191	OBS 64004F
X-60192	OBS 64004F
X-60195	68731F
X-60197	OBS 63411F
X-60200	OBS 64001F
X-60202	OBS 64015F
X-60202	OBS 64115F
X-60205	63617F
X-60206	61730F
X-60207	OBS 68898F
X-60208	68882F
X-60211	68940F
X-60213	OBS 61605F
X-60214	OBS 67517F
X-60215	68981F
X-60215	OBS 67405B
X-60216	61600B**
X-60218	OBS 63423F
X-60219	64426F
X-60221	62358F
X-60223	68765F

Manufacturer's Part Number	Webb Part Number
<b>NWRA</b>	
X-60225	OBS 61604F
X-60228	61600B**
X-60229	OBS 64438F
X-60230	64408F**
X-60233	64430B
X-60234	OBS 64429F
X-60237	OBS 64428F
X-60238	OBS 64407F
X-60239	OBS 61618F
X-60243	OBS 64469F
X-60248	OBS 64423F
X-60250	64404F
X-60251	64405F
X-60253	OBS 64486F
X-60262	OBS 64438F
X-60268	OBS 64433F
X-60271	OBS 64490F
X-60277	OBS 64497F
X-60280	OBS 68955F
X-60280	OBS 68960F
X-60281	67518F
X-60285	61601F
X-60286	OBS 61774F
X-60287	OBS 64437F
X-60310	OBS 62733F
X-60313	63410F
X-60322	OBS 61659F
X-60323	64028F
X-60339	OBS 64450F
X-60340	OBS 61728F
X-60341	66895B
X-60353	OBS 64437F
X-60355	OBS 64480F
X-60359	OBS 64493F
X-60361	64426F
X-60375	OBS 66848F
X-60378	61566F
X-60380	64445F
X-60390	OBS 61602F
X-60395	61600B**

Manufacturer's Part Number	Webb Part Number
<b>NWRA</b>	
X-60396	61600B**
X-60397	61600B**
X-60397	OBS 67403B
X-60398	61600B**
X-60398	OBS 67403B
X-60399	OBS 61517F
X-60400	OBS 61858F
X-60401	68921F
X-60402	OBS 65511B
X-60403	61548F
X-60405	OBS 62585F
X-60408	OBS 61774F
X-60409	61599F**
X-60410	OBS 61517F
X-60411	67518F
X-60413	64406F
X-60416	61854F
X-60418	OBS 61517F
X-60420	66895B
X-60420	OBS 67156B
X-60421	63617F
X-60422	65516B
X-60423	65516B
X-60425	OBS 65515B
X-60426	OBS 64431F
X-60427	61730F
X-60427	62240F
X-60428	61853F
X-60430	OBS 63258F
X-60431	OBS 62989F
X-60434	62997F
X-60435	63427F
X-60438	68012F
X-60438	68013F
X-60439	64413F
X-60440	65266B
X-60442	64478F
X-60442	OBS 64419F
X-60443	68981B
X-60444	68981B

<sup>1</sup>When replacing existing drums in the field, ensure adequate wheel stud thread engagement.

<sup>2</sup>Webb brake drums are interchangeable with Motor Wheel brake drums; however, in some Motor Wheel assemblies the stud may have to be changed to accommodate the thicker backplate of the Webb brake drum. This is necessary when only the brake drum is being replaced.

\*\*Will become obsolete when current inventory is depleted. Call for availability - if purchased, parts are non-returnable.



## BRAKE DRUM CROSS REFERENCE SECTION

Manufacturer's Part Number	Webb Part Number
NWRA	
X-60444	OBS 68416F
X-60446	OBS 63030B
X-60447	63031B
X-60448	64417F
X-60449	65256B
X-60450	65256B
X-60451	65514B
X-60452	65514B
X-60453	OBS 66861F
X-60455	68036F
X-60457	64028F
X-60458	68942F
X-60459	OBS 64415F
X-60460	OBS 63152F
X-60462	OBS 64456F
X-60463	OBS 64427F
X-60464	60876F
X-60465	68927F
X-60467	61791F
X-60468	68897F
X-60469	61788F
X-60470	61571F
X-60470	61591F
X-60471	64466F
X-60472	64413F
X-60473	64414F
X-60474	64449F
X-60477	66857F
X-60478	OBS 62755F
X-60479	OBS 64459F
X-60480	OBS 64460F
X-60481	68897F
X-60487	68732F
X-60489	61855F
X-60490	65514B
X-60491	65541B
X-60495	68927F
X-60499	OBS 61618F
X-60500	63650F
X-60502	OBS 64410F

Manufacturer's Part Number	Webb Part Number
NWRA	
X-60503	OBS 64409F
X-60504	62200F
X-60505	63647F
X-60506	OBS 61575F
X-60507	64481F
X-60508	62115B
X-60509	OBS 64418F
X-60510	OBS 61624F
X-60513	68981B
X-60514	61574F
X-60515	63410F
X-60516	OBS 64015F
X-60516	OBS 64115F
X-60517	68891F
X-60519	63427F
X-60519	OBS 61604F
X-60522	63647F
X-60525	OBS 61575F
X-60528	OBS 61605F
X-60532	OBS 61651F
X-60533	61727F
X-60534	OBS 68982F
X-60535	OBS 68898F
X-60540	OBS 62385F
X-60541	OBS 62439F
X-60542	61600B**
X-60543	OBS 62699B
X-60544	OBS 63411F
X-60546	OBS 63415F
X-60550	OBS 63424F
X-60552	67415F
X-60553	67397F
X-60554	67407F
X-60555	OBS 68916F
X-60557	OBS 67547F
X-60558	OBS 63636F
X-60559	OBS 64001F
X-60560	OBS 64001F
X-60561	OBS 64004F
X-60562	OBS 64006F

Manufacturer's Part Number	Webb Part Number
NWRA	
X-60563	OBS 65829F
X-60564	OBS 66036F
X-60565	OBS 66066F
X-60569	66096F
X-60571	OBS 66285F
X-60573	OBS 66876F
X-60574	OBS 66891F
X-60575	66852F
X-60575	66892F
X-60577	OBS 67101F
X-60578	66895B
X-60579	68732F
X-60580	68733F
X-60581	68760F
X-60590	OBS 68941F
X-60595	OBS 61580F
X-60596	62200F
X-60597	64453F
X-60600	OBS 61858F
X-60606	OBS 67598F
X-60607	68946F
X-60610	65651B
X-60611	66893F
X-60611	OBS 66853B
X-60613	OBS 68416F
X-60614	62117F
X-60615	OBS 64215F
X-60616	OBS 64217F
X-60617	65550B
X-60617	OBS 67706B
X-60618	65551B
X-60619	65650B
X-60619	OBS 67707B
X-60620	OBS 66810F
X-60621	61733F
X-60624	OBS 64479F
X-60625	63294B
X-60625	63294F
X-60626	OBS 64031F
X-60627	OBS 64033F

<sup>1</sup>When replacing existing drums in the field, ensure adequate wheel stud thread engagement.

<sup>2</sup>Webb brake drums are interchangeable with Motor Wheel brake drums; however, in some Motor Wheel assemblies the stud may have to be changed to accommodate the thicker backplate of the Webb brake drum. This is necessary when only the brake drum is being replaced.

\*\*Will become obsolete when current inventory is depleted. Call for availability - if purchased, parts are non-returnable.

## BRAKE DRUM CROSS REFERENCE SECTION



Manufacturer's Part Number	Webb Part Number
NWRA	
X-60628	64035F
X-60629	64036F
X-60630	64041F
X-60630	OBS 64037F
X-60631	64038F
X-60648	OBS 61503F
X-60656	OBS 64566F
X-60657	68897F
X-60668	68988F
X-60673	63035F
X-60677	61600B**
X-60678	OBS 65515B
X-60679	62117F
X-60681	68981B
X-60683	OBS 61517F
X-60688	OBS 64457F
X-60696	68012F
X-60697	63294B
X-60697	63294F
X-60699	61606F**
X-60700	61780F
X-60704	64445F
X-60705	OBS 65246F
X-60706	OBS 64407F
X-60707	68848F
X-60708	OBS 64474F
X-60709	OBS 64441F
X-60710	OBS 64442F
X-60711	OBS 64443F
X-60712	64454F
X-60713	OBS 64446F
X-60714	OBS 62055F
X-60715	OBS 62074F
X-60716	66812F
X-60717	61554F
X-60718	62117F
X-60719	OBS 64494F
X-60720	OBS 64473F
X-60721	OBS 64440F
X-60722	65651B

Manufacturer's Part Number	Webb Part Number
NWRA	
X-60723	OBS 61597F
X-60724	64448F
X-60725	OBS 64488F
X-60726	67518F
X-60727	62240F
X-60728	63436F
X-60729	63635F
X-60730	OBS 66201F
X-60731	OBS 66231F
X-60732	OBS 66241F
X-60733	66886B
X-60734	63631F
X-60735	61529F
X-60736	63436F
X-60737	64414F
X-60738	64425F
X-60742	OBS 61555F
X-60744	OBS 63633F
X-60751	OBS 63632F
X-60752	OBS 65156B
X-60753	65167B
X-60754	65542B
X-60755	OBS 67156B
X-60758	54103P
X-60762	65735F
X-60767	OBS 64401F
X-60768	OBS 64428F
X-60769	64408F**
X-60770	68981F
X-60771	OBS 61857F
X-60772	OBS 62057F
X-60773	OBS 63163F
X-60774	OBS 64089F
X-60775	OBS 64040F
X-60786	65543B
X-60786	OBS 68870B
X-60789	66875F
X-60789	OBS 68797B
X-60793	66864B
X-60793	66884B

Manufacturer's Part Number	Webb Part Number
NWRA	
X-60793	76864B
X-60793	77864BW
X-60794	66884F
X-60795	64477F
X-60797	OBS 63290F
X-60798	OBS 62027F
X-60801	61850F
X-60802	OBS 61852F
X-60803	OBS 61860F
X-60804	61862F
X-60805	OBS 61864F
X-60806	66896F
X-60807	65157B
X-60808	66816F
X-60811	65157B
X-60816	65157B
X-60818	OBS 64463F
X-60819	64017F
X-60823	OBS 66881B
X-60827	OBS 62634F
X-60828	OBS 65250F
X-60837	66875F
X-60838	OBS 65159F
X-60840	61511F
X-60841	65167B
X-60842	66893F
X-60842	OBS 66853B
X-60865	OBS 66887B
X-60866	OBS 65544B
X-60867	65543B
X-60868	68931F
X-60868	OBS 68797B
X-60869	OBS 62928F
X-60870	OBS 61542F
X-60871	65157B
X-60873	OBS 68037F
X-60874	61599F**
X-60875	64047F
X-60876	61574F
X-60876	OBS 61583F

<sup>1</sup>When replacing existing drums in the field, ensure adequate wheel stud thread engagement.

<sup>2</sup>Webb brake drums are interchangeable with Motor Wheel brake drums; however, in some Motor Wheel assemblies the stud may have to be changed to accommodate the thicker backplate of the Webb brake drum. This is necessary when only the brake drum is being replaced.

\*\*Will become obsolete when current inventory is depleted. Call for availability - if purchased, parts are non-returnable.





## BRAKE DRUM CROSS REFERENCE SECTION

Manufacturer's Part Number	Webb Part Number
NWRA	
X-60877	OBS 62928F
X-60878	66815F
X-60879	66815F
X-60879	67615F
X-60880	OBS 66860F
X-60887	66817F
X-60888	61566F
X-60893	OBS 67405B
X-60896	67407F
X-60897	OBS 67101F
X-60898	67415F
X-60903	61548F
X-60904	64426F
X-60905	68036F
X-60908	OBS 65580F
X-60908	OBS 66580F
X-60909	OBS 64479F
X-60916	OBS 66202F
X-60918	64408F**
X-60921	OBS 64015F
X-60922	68891F
X-60924	OBS 61586F
X-60925	67615F
X-60930	OBS 63652F
X-60931	68958F
X-60935	64444F
X-60936	OBS 63435F
X-60938	68765F
X-60939	66893F
X-60939	OBS 66853B
X-60944	64483F
X-60946	65739B
X-60948	66811F
X-60959	651558
X-60959	OBS 65155B
X-60960	66878F
X-60961	66883F
X-60963	OBS 66897F
X-60964	66283F
X-60965	OBS 68736F

Manufacturer's Part Number	Webb Part Number
NWRA	
X-60966	OBS 68885F
X-60967	68887B
X-60971	OBS 61578B
X-60972	OBS 61665F
X-60973	61859F
X-60974	OBS 63213F
X-60975	OBS 63214F
X-60976	OBS 63236F
X-60977	OBS 63240F
X-60978	OBS 63645F
X-60979	OBS 64046F
X-60980	OBS 64048F
X-60981	OBS 64106F
X-60982	OBS 64117F
X-60983	64403F
X-60985	OBS 64422F
X-60989	OBS 64464F
X-60990	64468F
X-60991	OBS 64471F
X-60992	OBS 64492F
X-60993	OBS 64496F
X-60995	OBS 65004F
X-60998	63447F
X-61000	63634F
X-61002	68918F
X-61008	65545B
X-61008	65565B
X-61009	65549B
X-61010	66814F
X-61014	OBS 66882F
X-61016	66890B
X-61019	68986B
X-61022	OBS 63241F
X-61047	65550B
X-61077	62997F
X-61084	65546B
X-61096	68989F
X-61099	66250F
X-61128	OBS 61841F
X-61129	61577F

Manufacturer's Part Number	Webb Part Number
NWRA	
X-61136	OBS 68849F
X-61137	OBS 63279F
X-61138	OBS 61622F
X-61140	OBS 63629F
X-61145	66873F
X-61150	68845F
X-61195	63032F
X-61210	66665B
X-61221	62671F
X-61222	65710B
X-61223	61528B
X-61223	65547B
X-61259	61536F
X-61260	61567F
X-61263	61950B
X-61264	61951B
X-61265	61958B
X-61266	61988B
X-61268	61991F
X-61269	61999F
X-61271	62670B
X-61272	62671B
X-61274	OBS 63653F
X-61275	63688F
X-61276	OBS 64042B
X-61277	64044F
X-61278	64045B
X-61279	OBS 64049F
X-61280	64050F
X-61281	OBS 64051F
X-61282	64057F**
X-61283	64073F
X-61284	OBS 64082F
X-61285	OBS 64089F
X-61286	OBS 64112F
X-61287	OBS 64119F
X-61288	64489F
X-61290	65162F
X-61291	65163B
X-61292	65170B

<sup>1</sup>When replacing existing drums in the field, ensure adequate wheel stud thread engagement.

<sup>2</sup>Webb brake drums are interchangeable with Motor Wheel brake drums; however, in some Motor Wheel assemblies the stud may have to be changed to accommodate the thicker backplate of the Webb brake drum. This is necessary when only the brake drum is being replaced.

\*\*Will become obsolete when current inventory is depleted. Call for availability - if purchased, parts are non-returnable.

## BRAKE DRUM CROSS REFERENCE SECTION



Manufacturer's Part Number	Webb Part Number
<b>NWRA</b>	
X-61294	65173B
X-61295	65175B
X-61296	65179B
X-61298	65546B
X-61299	65554B
X-61300	65654B
X-61301	66251F
X-61302	OBS 66258F
X-61303	OBS 66366F
X-61305	OBS 66626F
X-61306	66660B
X-61307	66661B
X-61308	OBS 66662B
X-61309	OBS 66664F
X-61310	66665B
X-61311	66822F
X-61312	OBS 66824F
X-61313	OBS 66825B
X-61314	66826B
X-61315	66827B
X-61316	OBS 66828F
X-61317	OBS 66829F
X-61319	66862F
X-61320	66864F
X-61321	66865B
X-61322	66867B
X-61323	OBS 66868F
X-61324	OBS 66871F
X-61325	OBS 67486B
X-61327	68985F
X-61334	61989F
<b>ORION</b>	
A0102502GA	65167D
A0102507BA	OBS 64117F
A0202504BA	66812U
A0202505CB	66812U
A0202519EA	OBS 64115F
<b>OSHKOSH</b>	
127009D	OBS 65518F
1985060	65165F

Manufacturer's Part Number	Webb Part Number
<b>OSHKOSH</b>	
1985070	65161B
1MB894	63637F
2033650	62671B
2033660	62670B
2058110	OBS 66858B
2068110	OBS 66858B
2074620	OBS 65518F
2FF535	63447F
2TD745	62200F
2TD746	68730F
2TM413	67518F
3046209	OBS 67599F
3HS288	63031B
3HS928	66661B
3HS930	66884F
3TD216	66893F
4GX26	68981B
4GX37	61600B**
4HD659	66895B
4HD660	62200F
5MB236	66864B
5MB236	66884B
6HD375	66660B
7JA254	65516B
8JA231	66864B
8JA231	66884B
AGX26	68981B
AGX3	OBS 64437F
AGX37	61600B**
<b>PETERBILT</b>	
02-00775	65551B
02-00782	65157B
02-00783	65167B
02-01380	65541B
02-01506	65651B
02-01858	61528B
02-02139	65710B
03-02944	66895B
03-03691	66895B
03-04933	OBS 66887B

Manufacturer's Part Number	Webb Part Number
<b>PETERBILT</b>	
03-05449	66864B
03-05449	66884B
280-1	OBS 67519F
302206	66895B
<b>ROCKWELL- SEE ARVINMERITOR/DAYTON</b>	
<b>TECH LINK</b>	
T671443	68765
T671446	66879
T671447	66250
T671455D	64115D
T671484D	64117D
T671487D	64048D
T671489D	64046D
T672429B	66865B
T672435B	65548B
T672438B	66981B
T672448B	66864B
T672448F	66864F
T672452B	66864B
T672452F	66864F
T672453B	61527B
T672454B	64115B
T672456B	65654B
T672459B	65166B
T672462B	68985B
T672463B	65152B
T672467B	61528B
T672469B	65266B
T672471B	65514B
T672472B	65654B
T672476B	66854B
T672477B	65545B
T672483B	68846B
T672485B	65651B
T672488B	64048B
T672491B	65162B
T672493B	65541B
T673428F	62200F
T673430F	68730F

<sup>1</sup>When replacing existing drums in the field, ensure adequate wheel stud thread engagement.

<sup>2</sup>Webb brake drums are interchangeable with Motor Wheel brake drums; however, in some Motor Wheel assemblies the stud may have to be changed to accommodate the thicker backplate of the Webb brake drum. This is necessary when only the brake drum is being replaced.

\*\*Will become obsolete when current inventory is depleted. Call for availability - if purchased, parts are non-returnable.





## BRAKE DRUM CROSS REFERENCE SECTION

Manufacturer's Part Number	Webb Part Number
<b>TECH LINK</b>	
T673431F	68732F
T673434F	66875F
T673436F	66661F
T673437F	66981F
T673439F	66895F
T673440F	60876F
T673441F	66893F
T673442F	67518F
T673444F	68765F
T673449F	68897F
T673457F	63631F
T673458F	63635F
T673460F	63680F
T673461F	68958F
T673464F	66250F
T673466F	65152B
T673468F	62997F
T673474F	63637F
T673475F	66854F
T673478F	68013F
T673479F	68897F
T673480B	66884B
T673481F	66892F
T673482F	68845F
T673486F	64048F
T673490F	61788F
T673492F	68897F
T672462B	68985B
<b>THOMAS BUS</b>	
61110261	65651B
61110313	65541B
61110320	65169B
61120362	66812F
61120496	66812B
61120512	63031B
61120594	66866B
61120778	66814B
61130134	65175B
86130061	65516B

Manufacturer's Part Number	Webb Part Number
<b>TRAILMOBILE</b>	
15054	OBS 61957F
15143	67518F
15425	OBS 61517F
15907	OBS 67517F
16497	68946F
16583	62200F
21219	68730F
21517	61727F
32702	OBS 61517F
41206	68760F
7-4-86	61730F
7-4-87	62358F
7-4-4	OBS 62119F
700-1-315A	OBS 68665F
700-1-315C	68765F
700-1-315D	68730F
700-1-651	67518F
700-1-709	68730F
7-4-145	OBS 62142F
7-4-171	68903F
7-4-174	61730F
7-4-177	61854F
7-4-178	OBS 67517F
7-4-186	OBS 61628F
7-4-195	67518F
7-4-199	62199F
7-4-202	67205F
7-4-203	62200F
7-4-205	67205F
7-4-212	OBS 61628F
7-4-213	67518F
7-4-216	62199F
7-4-220	62199F
7-4-224	68891F
7-4-232	63617F
7-4-240	62240F
7-4-241	OBS 61610F
7-4-243	68946F
7-4-264	60876F
7-4-265	OBS 61575F

Manufacturer's Part Number	Webb Part Number
<b>TRAILMOBILE</b>	
7-4-281	68730F
7-4-283	66815F
7-A4-42	68731F
7-A4-43	61853F
900-510-313	67205F
<b>UTILITY</b>	
47-L-305	OBS 68928F
58-L-305	OBS 68941F
58-T-305	62200F
58-T-305	OBS 68917F
63-L-305	OBS 68941F
<b>VANHOOL</b>	
247-5817-1P	OBS 64049F
633107570	64049B
699500770	64050F
E983920	64050F
<b>VOLVO</b>	
02-7022186	OBS 65515B
02-7022202	65516B
02-7022707	OBS 65515B
02-7022715	65516B
02-7122864	61730F
1014117	61600B**
1111032	62200F
1117474	65157B
1117787	66884B
1117817	65549B
11-AH-038	61854F
11-AR-037	OBS 62562F
11-AS-8200	61730F
11-AS-8200	OBS 61728F
11-AT-8200	61730F
11-AT-8200	OBS 61728F
11-AV-8200	61730F
11-AV-8200	OBS 61728F
11-B-038	61730F
11-BBT-0270	65256C
11-DD-938	68882F
11-DD-938	68942F
11-KBP-0190	61601F

<sup>1</sup>When replacing existing drums in the field, ensure adequate wheel stud thread engagement.

<sup>2</sup>Webb brake drums are interchangeable with Motor Wheel brake drums; however, in some Motor Wheel assemblies the stud may have to be changed to accommodate the thicker backplate of the Webb brake drum. This is necessary when only the brake drum is being replaced.

\*\*Will become obsolete when current inventory is depleted. Call for availability - if purchased, parts are non-returnable.

## BRAKE DRUM CROSS REFERENCE SECTION



Manufacturer's Part Number	Webb Part Number
<b>VOLVO</b>	
11-LBN-0190	61600B**
11-LBS-0190	OBS 68983F
11-LBT-0190	61601F
11-M-938	68765F
11-MA-038	OBS 67519F
11-MA-039	OBS 67519F
11-MA-938	67537F
11-MJ-2190	68882F
11-P-038	61730F
11-T-2190	68882F
11-U-2190	61730F
11-U-2190	OBS 61728F
1602189	OBS 68955F
1702456	OBS 68895F
1703160	OBS 61728F
1703178	61730F
1703204	OBS 61952F
1723661	OBS 61777F
1728185	OBS 68955F
1729372	OBS 68983F
1733997	61601F
1734937	OBS 64490F
1736152	OBS 68955F
1736839	OBS 62562F
1737155	61595F**
1737626	61601F
1737718	61600B**
1737759	61600B**
1737762	61601F
1739055	OBS 61598F
1739326	61600B**
1741286	OBS 61728F
27010387	OBS 61517F
27073963	61566F
27074134	61606F**
279094	OBS 61728F
3005003	61601F
3006741	68981B
3099105	65546B
3101008	61601F

Manufacturer's Part Number	Webb Part Number
<b>VOLVO</b>	
3101605	67518F
3105897	61600B**
3132760	65514B
3133028	68981B
3134726	68981B
325593	68903F
325598	68903F
3915901	66665B
3918357	66865B
39283-A	OBS 68983F
393273-A	OBS 68983F
3933675	61951B
3933825	62671F
3935263	61991B
3945408	62240B
3945534	64016F
3946054	68765F
3946055	61780F
3946056	62997F
3946057	68730F
3946058	60876F
3946059	68942F
3946060	68958F
3946061	66895B
3946062	66875F
3946063	63617F
3946064	66852B
3946065	68897B
3946066	66864F
3946075	66893F
3946259	65651B
3946613	66884F
3949229	65548B
3968325	65551B
3968326	65651B
3972312	66854B
443410	66899B
448176	61730F
449578	OBS 68910F
451931	OBS 61774F

Manufacturer's Part Number	Webb Part Number
<b>VOLVO</b>	
452600	OBS 61777F
452600-A	OBS 61777F
466211	61730F
466211-A	OBS 61728F
476223	OBS 61777F
484045-A	OBS 68923F
510137	61600B**
518620	61600B**
518620-A	61600B**
534099	OBS 61517F
558434	67518F
620163	OBS 68983F
620163-A	OBS 68983F
626279	OBS 68955F
630142	68882F
635671	OBS 68983F
638758	61600B**
652065	67518F
652065-A	67518F
654906	61730F
656046	OBS 68983F
659584	67537F
660806	67518F
671265	OBS 68955F
677750	OBS 68955F
6793455	OBS 64042B
6793936	65516B
683851	61601F
685813	61600B**
693204	OBS 61517F
69547B	65545
69548	66884
69549	65609
700593	68981B
716800	OBS 68955F
718964	OBS 67547F
8025213	66890B
8025214	68986B
8029778	61988B
8058401	66865B

<sup>1</sup>When replacing existing drums in the field, ensure adequate wheel stud thread engagement.

<sup>2</sup>Webb brake drums are interchangeable with Motor Wheel brake drums; however, in some Motor Wheel assemblies the stud may have to be changed to accommodate the thicker backplate of the Webb brake drum. This is necessary when only the brake drum is being replaced.

\*\*Will become obsolete when current inventory is depleted. Call for availability - if purchased, parts are non-returnable.



## BRAKE DRUM CROSS REFERENCE SECTION

Manufacturer's Part Number	Webb Part Number
<b>VOLVO</b>	
8058703	65541B
8059216	65165B
8059278	65266B
8060210	65165B
8060365	66865B
8071943	65545B
8071943	65565B
8071945	65609B
8071946	66366B
8071947	66884B
8083945	66875B
8083957	65543B
8084423	65541B
8086491	66864B
8096939	65167B
8097277	66862B
8098794	66665B
8161808	66864B
851334	61780F
852955	OBS 68923F
861684	OBS 62119F
861691	OBS 68955F
866374	OBS 65511B
866449	OBS 68983F
878206	67518F
878286	67518F
878286	OBS 67517F
888228	OBS 62562F
88857-A	OBS 68955F
888857	OBS 68955F
892278	61600B**
893273	OBS 68983F
894687	OBS 68955F
896886	OBS 64490F
897133	61601F
897576	OBS 61728F
897615	OBS 65511B
897637	OBS 61598F
899900	OBS 61517F
90101-0004	65167B

Manufacturer's Part Number	Webb Part Number
<b>VOLVO</b>	
90101-0007	65266B
90101-0008	65256B
90101-0017	65514B
90101-0018	65650B
90101-0021	67945B
90101-0027	65266B
90101-0039	OBS 65156B
90101-0040	65166B
90101-0041	OBS 65540B
90101-0042	65650B
90101-0043	65550B
90101-0044	65551B
90101-0045	65541B
90101-0046	65651B
90101-0049	65514B
90101-5014	67945B
91001-0001	61855F
91001-0003	63031B
91001-0004	68981B
91001-0005	61600B**
91001-0008	68981B
91001-0010	63031B
91001-0011	61853F
91001-0013	66853B
91001-0013	66893B
91001-0019	66893F
91001-0019	OBS 66853B
91001-0019	OBS 67101B
91001-0020	61571F
91001-0022	68733F
91001-0023	61862F
91001-0043	66852F
91001-0043	66892F
91001-0046	61855F
91001-0050	68981B
91001-0051	61853F
91001-0065	66895B
91001-0066	66886B
91001-0070	66875B
91001-0071	68981B

Manufacturer's Part Number	Webb Part Number
<b>VOLVO</b>	
91001-0082	66250B
91001-3801	66875B
91001-5001	67518F
91001-5002	68981B
91001-5010	67518F
91001-5014	68981B
91001-5015	65256B
91101-3801	66875F
V1110829	65266B
V1111455	68986B
V1111457	66852B
V1111457	66892B
V1111459	67518B
V1113391	66886B
V1113576	65166B
V1116436	68733F
V1116613	68981B
X-361321-P	68903F
X-620163-1	OBS 68983F
X-620163-2	OBS 68983F
X-9-3070-P	68903F
Y-51742	OBS 68001F
Y-526575	OBS 68894F
Y-638758	61600B**
Y-655069	61600B**
Y-693204	OBS 61517F
<b>WAGNER</b>	
BD60560	OBS 64428F
BD60564	61727F
BD60565	61606F**
BD60566	62200F
BD60566	OBS 66200F
BD60567	68730F
BD60569	64448F
BD60570	64408F**
BD60571	68981B
BD60571	OBS 68982F
BD60571	OBS 68983F
BD60572	61780F
C8007	OBS 64438F

<sup>1</sup>When replacing existing drums in the field, ensure adequate wheel stud thread engagement.

<sup>2</sup>Webb brake drums are interchangeable with Motor Wheel brake drums; however, in some Motor Wheel assemblies the stud may have to be changed to accommodate the thicker backplate of the Webb brake drum. This is necessary when only the brake drum is being replaced.

\*\*Will become obsolete when current inventory is depleted. Call for availability - if purchased, parts are non-returnable.

## BRAKE DRUM CROSS REFERENCE SECTION



Manufacturer's Part Number	Webb Part Number
<b>WAGNER</b>	
C8009	OBS 64428F
C8016	61727F
C8017	61606F**
C8029	62200F
C8029	OBS 66200F
C8031	68730F
C8034	64448F
C8035	64408F**
C8041	68981B
C8041	OBS 68982F
C8041	OBS 68983F
C8045	61780F
C8051	OBS 61547F
C8055	61730F
C8059	68897F
<b>WALTHER EMC</b>	
03-00043	66864F
03-00043	76864B
03-00050	63680
13-00043	66864B
13-00043	66807B
<b>WESTERN STAR</b>	
90101-3409	65554B
90101-3414	65162B
90101-4405	65163B
90101-4405	65541B
90401-3438	65651B
91303-4406	65166B

<sup>1</sup>When replacing existing drums in the field, ensure adequate wheel stud thread engagement.

<sup>2</sup>Webb brake drums are interchangeable with Motor Wheel brake drums; however, in some Motor Wheel assemblies the stud may have to be changed to accommodate the thicker backplate of the Webb brake drum. This is necessary when only the brake drum is being replaced.

\*\*Will become obsolete when current inventory is depleted. Call for availability - if purchased, parts are non-returnable.



# BRAKE DRUMS: MAXIMUM WEAR DIAMETER

Webb Drum	MAX Diam
60876B	16.620
60876F	16.620
61510B	15.120
61511F	15.120
61526F	15.120
61527B	15.120
61528B	15.120
61529B	15.120
61529F	15.120
61536F	15.120
61548F	15.120
61554F	15.120
61566F	15.120
61567B	15.120
61567F	15.120
61571F	15.120
61574F	15.120
61576B	15.120
61576F	15.120
61577B	15.120
61577F	15.120
61591F	15.120
61599F**	15.120
61600B**	15.120
61601F	15.120
61606F**	15.120
61612F**	15.120
61727F	16.620
61730F	16.620
61731F	16.740
61733F	16.740
61780F	16.620
61788F	16.620
61791F	16.620
61850F	18.250
61853F	18.250
61854F	18.250
61855F	18.250
61856F	18.250
61859F	18.250
61862F	18.250
61870B	18.240
61950B	15.120
61951B	15.120
61958B	15.120
61959B	15.120
61988B	15.120

Webb Drum	MAX Diam
61988F	15.120
61989B	15.120
61989F	15.120
61991B	15.120
61991F	15.120
61992F	15.120
61999F	15.120
62115B	16.620
62117F	16.620
62199F	16.620
62200F	16.620
62240F	16.620
62358F	12.370
62670B	16.620
62671B	16.620
62671F	16.620
62997B	16.620
62997F	16.620
63031B	16.620
63032F	16.620
63035F	15.120
63294F	15.120
63410F	16.620
63427F	16.620
63436F	16.620
63447F	16.620
63617F	12.370
63630F	12.370
63631F	12.370
63634F	12.370
63635F	12.370
63637F	12.370
63647F	12.370
63650F	12.370
63654F	12.370
63658F	12.370
63680F	12.370
63688F	12.370
64004B	14.830
64009B	14.830
64015B	14.830
64016F	15.120
64017F	14.830
64018F	15.120
64026F	16.300
64028F	15.120
64035F	16.812

Webb Drum	MAX Diam
64036F	15.310
64038F	15.310
64039F	16.300
64040B	16.300
64041F	16.812
64044F	15.120
64045B	16.812
64046H	15.460
64047B	16.812
64047F	16.812
64048B	15.460
64049B	15.120
64050B	16.830
64051B	16.830
64051J	16.830
64053B	16.830
64057F	16.812
64065F	15.875
64073B	14.830
64073F	14.830
64089B	16.300
64105F	15.120
64112B	14.830
64115B	14.830
64115C	14.830
64115J	14.830
64117B	14.830
64117J	14.830
64119B	14.830
64125B	16.830
64125F	16.830
64403F	15.120
64404F	15.120
64405F	15.120
64408F	15.120
64413F	15.120
64414F	15.120
64417F	15.120
64425F	14.090
64426F	15.120
64430F	14.090
64432F	15.120
64444F	15.120
64445F	15.120
64449F	15.120
64453F	15.120
64454F	15.120

Webb Drum	MAX Diam
64466F	16.620
64467F	16.620
64468F	16.620
64477F	15.120
64478F	15.120
64481F	15.120
64483F	15.120
64489F	15.120
65119J	14.830
65145B	15.250
65147B	15.250
65151B	16.620
65152B	16.620
65153B	15.120
65154B	15.120
65157B	15.250
65158B	16.620
65161B	16.620
65162B	16.620
65162F	16.620
65163B	16.620
65163F	16.620
65165B	16.620
65166B	16.620
65167B	16.620
65169B	16.750
65170B	16.750
65172B	16.620
65173B	16.620
65174B	16.620
65175B	16.620
65175F	16.620
65176B	16.620
65176F	16.620
65177B	16.620
65179B	16.620
65181B	16.620
65182B	16.620
65183B	16.620
65256B	15.120
65266B	16.620
65514B	15.200
65516B	16.620
65526B	16.620
65541B	15.120
65542B	15.120
65543B	15.120

# BRAKE DRUMS: MAXIMUM WEAR DIAMETER



Webb Drum	MAX Diam	Webb Drum	MAX Diam	Webb Drum	MAX Diam
65545B	15.120	66814F	16.620	67518F	16.620
65546B	15.120	66815F	16.620	67537F	16.620
65547B	15.120	66816F	16.620	68012F	16.620
65548B	15.120	66817F	16.620	68013F	16.620
65549B	15.120	66822F	16.730	68036F	16.620
65550B	15.120	66826B	16.620	68730B	16.620
65551B	15.120	66827B	16.620	68730F	16.620
65554B	15.120	66830B	15.120	68731F	16.620
65555B	15.120	66834F	16.620	68732F	16.620
65565B	15.120	66843B	16.620	68733F	16.620
65600B	16.830	66852B	16.620	68734F	16.620
65600C	16.830	66852F	16.620	68760F	16.620
65650B	16.620	66853B	16.620	68765B	16.620
65651B	16.620	66854B	16.620	68765F	16.620
65654B	16.620	66854F	16.620	68844F	16.620
65670B	16.620	66855F	16.620	68845F	16.620
65710B	16.620	66857F	16.620	68846B	16.620
65735F	15.120	66862B	16.620	68848F	16.620
65739B	16.620	66862F	16.620	68882F	16.620
65753B	15.870	66864B20	16.620	68887B	16.620
65757B	15.870	66864F20	16.620	68891F	16.620
66096F	16.620	66865B	16.620	68897B	16.620
66250B	16.620	66866B	16.830	68897F	16.620
66250F	16.620	66867B	16.830	68903F	16.620
66251F	16.620	66871B	16.830	68918F	16.620
66283F	16.620	66873B	16.620	68921F	16.620
66350F	16.620	66873F	16.620	68927F	16.620
66353B	16.620	66875B	16.620	68931F	16.620
66353F	16.620	66875F	16.620	68940F	16.620
66364B	16.830	66878F	16.620	68942F	16.620
66366B	16.830	66878F	16.620	68946F	16.620
66374B	16.830	66883B	16.620	68958B	16.620
66626B	16.620	66883F	16.620	68958F	16.620
66660B	16.620	66884B	16.620	68970B	16.620
66661B	16.620	66884F	16.620	68981B	16.620
66663B	16.620	66886B	16.620	68985F	16.620
66665B	18.240	66888F	16.620	68986B	16.620
66669B	16.620	66890B	16.620	68988F	16.620
66800B	16.620	66892B	16.620	68989F	16.620
66800F	16.620	66892F	16.620	76864B	16.620
66807B	16.620	66893B	16.620	77528B	15.120
66808B	16.620	66893F	16.620	77710B	16.620
66809B	16.620	66895B	16.620	77800BW	16.620
66811F	16.620	66896F	16.620	77854BW	16.620
66812B	16.730	66899B	16.620	77864BW	16.620
66812F	16.730	67205F	16.620		
66814B	16.620	67518B	16.620		





# BRAKE DRUM AND ROTOR SERVICE INFORMATION

## SERVICE INFORMATION

To achieve maximum drum life and optimum performance, proper brake maintenance and brake balance are essential. Consult your truck or trailer manufacturer's maintenance manual for proper maintenance of the braking mechanism.

The following procedures are suggested as a means of obtaining maximum service and to determine the need for replacement.

**NOTICE: When replacing lining, brake drum or rotor on one end of the axle, replace the same components on the other end of the axle. This will maintain proper braking load on the axle.**

### A1. Inspection of Brake Drums or Rotors

When relining brakes, the brake drum or rotor should be cleaned and inspected. To be suitable for further service, the brake drum or rotor should pass the following checks:

- A. The brake surface should be free of scoring, excessive heat checks and free of cracks.
- B. The brake surface diameter should be within the maximum diameter cast or stamped on the drum or minimum thickness cast or stamped on the rotor.
- C. The mounting holes and pilot must be round and true.
- D. The mounting surface must be clean and flat.

**CAUTION: If any of the above conditions are not met, the brake drum or rotor should be replaced.**

### A2. Turning the Brake Surface

It may be desirable to turn or resurface the braking surface to remove small heat checks or other surface defects. The following should be noted when turning:

- A. When resurfacing a drum, allow at least 0.040 under the maximum diameter and on a rotor 0.040 over the minimum thickness for additional wear. For example, this usually means the drum may be turned a total of 0.080 over the brake surface diameter of a new brake drum.

Example:	New Drum Diameter	16.500
	Rebore Allowance	<u>0.080</u>
	Diameter after rebore limit is reached	16.580
	Wear Allowance	<u>0.040</u>
	Maximum Diameter	16.620

**WARNING: DO NOT TURN OR WEAR A BRAKE DRUM OR ROTOR BEYOND THE MAXIMUM DIAMETER OR MINIMUM THICKNESS STAMPED OR CAST ON THE BRAKE DRUM OR ROTOR.**

The maximum diameter or discard diameter is the maximum diameter to which the brake drum may be turned or worn, and still be usable. If any portion of the brake surface exceeds the maximum diameter it must be discarded. The maximum diameter cast into the back plate portions of the brake drum supersedes all published information.

## SERVICE INFORMATION

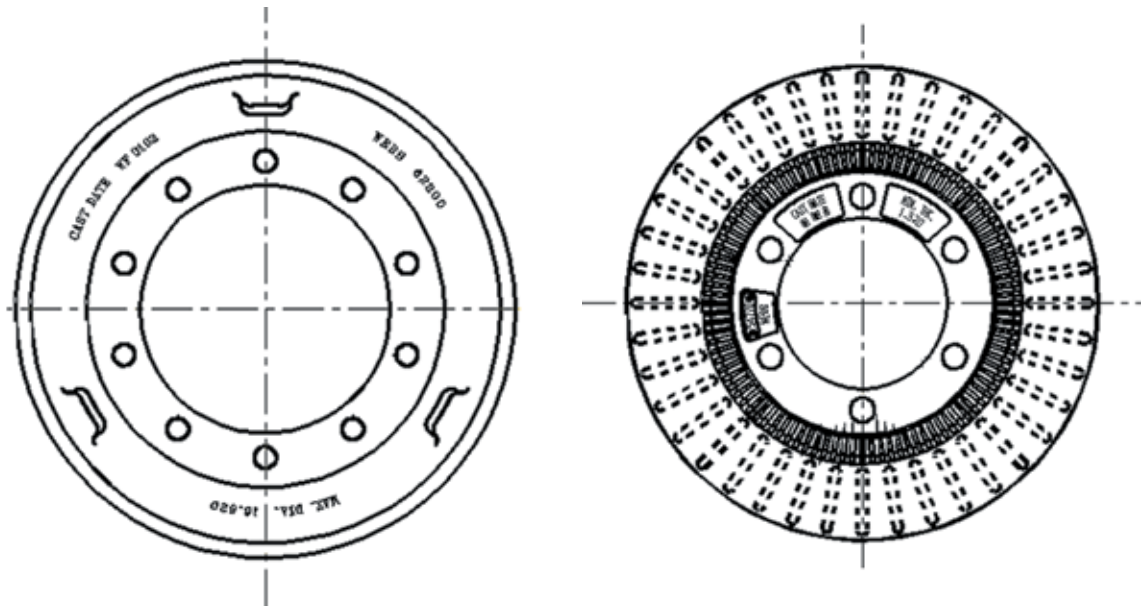
The minimum thickness cast into a rotor is the thickness at which the rotor should be discarded and is no longer suitable for service. If any portion of the rotor is thinner than the minimum thickness it must be discarded. The minimum thickness cast into the rotor supersedes all published information.

### BRAKE DRUM REBORE LIMITS AND/OR MAXIMUM WEAR DIAMETER

### ROTOR TURNING LIMITS AND/OR MINIMUM WEAR THICKNESS

This information is furnished to advise the importance of the rebores limits and/or maximum wear diameter as shown on our Webb brake drums and turning limits and/or minimum wear thickness on our Webb rotors. This dimension is cast or stamped on our brake drums as indicated on the drawing shown below. The dimension is the maximum safe diameter or thickness to which a drum or rotor may be turned, ground and/or worn. The marking of this dimension on brake drums and rotors is in accordance with Massachusetts Law # 904 Acts of 1968.

**CAUTION:** To insure product safety, it is critical that any brake drum or rotor reaching this dimension by turning, grinding and/or wearing be considered unsafe and immediately replaced. Any brake drum exceeding this dimension is considered a safety hazard and is not subject to warranty consideration.



### ADDITIONAL INFORMATION

The dimension shown on our brake drums and rotors is the current maximum diameter or minimum thickness and supersedes any previously published information.

#### A3. Anti-Skid Holes

Due to the low usage of the anti-skid holes in brake drums, we will no longer drill holes in brake drums for anti-skid mounting as standard. When ordering drums from Webb for anti-skid mounting, use special drilling option code "A". The anti-skid holes will be furnished tapped 5/16"-18 and will use conventional cap screws.



### TROUBLE-SHOOTING INFORMATION

**Replacement of the brake drum is required if any of the following conditions exist:**

1. The brake drum is cracked.
2. The brake surface has heavy heat check.
3. The backing plate is cracked.
4. The bolt holes elongated.
5. The brake drum is out-of-round.
6. The brake surface is grooved or worn beyond the maximum diameter.
7. The brake drum is known to have been severely overheated.

**NOTICE: Brake drums should be replaced in pairs to achieve the same braking power on the axle.**

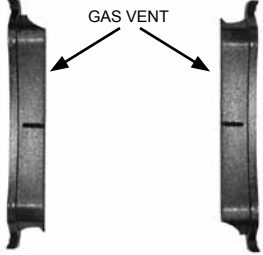
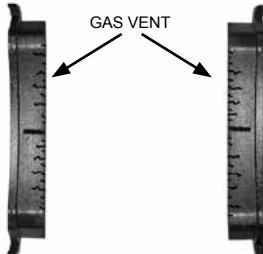




**Replacement of the rotor is required if any of the following conditions exist:**

1. The rotor is cracked.
2. The brake surface is heat checked, grooved or worn within the minimum thickness.
3. The back plate is cracked.
4. The bolt holes are elongated.
5. The rotor is known to have been severely overheated.
6. The rotor is out-of-round enough that turning would exceed rebore limit.

**NOTICE: Rotors should be replaced in pairs to achieve the same braking power on the axle.**




**TROUBLE-SHOOTING: DISC BRAKE PAD WEAR**

Note: The disc pads used with the rotor may indicate problems within your braking system. Shown below are examples of disc pads wear which may help you identify these problems.



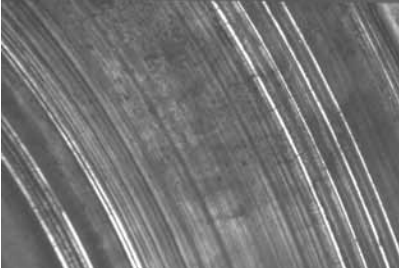
	Problem	Cause	Solution
	Chipped	Excessive heat buildup in brake system - caliper or caliper piston hanging up creating constant friction - rear brakes not functioning effectively causing disproportionate braking energy on the front disc pads.	Check rear brakes, replace caliper and caliper piston, replace pads and check rotor for damage. If damaged, replace rotor.
	Cracked	Excessive heat buildup in brake system - caliper or caliper piston hanging up creating constant friction - rear brakes not functioning effectively causing disproportionate braking energy on the front disc pads.	Check rear brakes, replace caliper and caliper piston, replace pads and check rotor for damage. If damaged, replace rotor.
	Grooved	Foreign material or debris imbedded in brake pads.	Rotors need to be turned (refaced) or replaced and replace pads.
	Stepped	Pads not installed correctly - pads not in full contact with the rotor.	Replace the guide pins, mounting bolts, bushing and caliper hardware. Replace pads and check rotor for damage. If damaged, replace rotor.
	Tapered	Worn out caliper bushings and/or worn out caliper hardware.	Replace caliper bushings and/or caliper hardware, replace pads, check rotor for damage. If damaged, replace rotor.
	Worn Beyond Use	Disc pads allowed to remain in service beyond normal safe limits of usage.	Replace pads and check rotor for damage. If damaged, replace rotor.



## TROUBLE-SHOOTING: BRAKE DRUM WEAR

Problem	Cause	Solution
<b>A. Cracked Brake Drums</b>		
<b>A1. New</b> NO PHOTO AVAILABLE	A1. Mishandling	A1. Replace brake drum
<b>A2. Used</b> 	A2. Heat checks connect together and grow through drum	A2. Replace brake drum. Check brake balance and brake system. See Heavy Heat Check.
<b>A3. Used, low mileage</b> NO PHOTO AVAILABLE	A3. Improper shoe contact.	A3. Replace brake drum. Shoes must contact the drum at the center of the shoe.
<b>B. Heat Check</b>		
<b>B1. Light</b> <b>Heat check is 1.5" or less in length.</b> Heat check is sporadic across the braking surface. No propagation. No crevices. 	B1. Normal condition	B1. Does not impair brake performance.
<b>B2. Medium</b> <b>Heat check is no longer than 3" in length.</b> Heat check is not apparent across the entire width of braking surface. Check is beginning to propagate. No crevices. 	B2. Imbalanced brake system, dragging brakes, improper drum for application, or driver abuse. It is caused by constant heating and cooling of brake surface.	B2. Check brake balance, brake return springs, brake adjustment, proper brake drum for application, and lining type within vehicle combination. Monitor brake drum and replace if heat checks grows beyond 3".


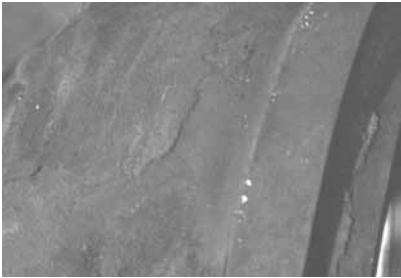
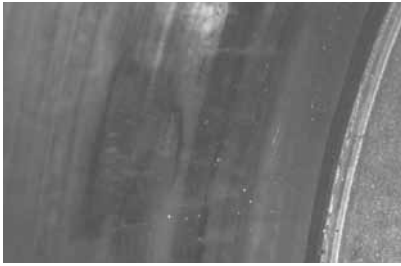
**TROUBLE-SHOOTING: BRAKE DRUM WEAR**

Problem	Cause	Solution
<b>B. Heat Check (continued)</b>		
<p><b>B3. Heavy</b>  <b>Heat check in excess of 3” in length.</b>                      High frequency of propagated heat check.                      Crevices appear in braking surface cracks.</p> 	<p>B3.                      Imbalanced brake system, dragging brakes, improper drum for application, or driver abuse. It is caused by constant heating and cooling of brake surface.</p>	<p>B3.                      Replace brake drum. Check brake balance, brake return springs, brake adjustment, proper brake drum for application, and lining type within vehicle combination.</p>
<p>NOTICE: These classifications are made based on the worst area of the brake drum that is affected by heat check. It does not need to be visible completely around the braking surface.                      For example: If a drum has localized heavy heat check in an area that is approximately 6” across but the rest of the drum has no apparent heat check, the classification of this drum would be HEAVY.</p>		
<b>C. Grooving</b>		
<p><b>C1. Fine Grooving</b></p> 	<p>C1.                      Abrasive material or poor quality brake lining.</p>	<p>C1.                      Rebore brake drum within normal limits or replace the drum and lining. See (A2) Turning the Brake Surface.</p>
<p><b>C2. Grooves along edges of lining</b></p> 	<p>C2.                      Grooves are usually caused by foreign material between the drum and lining. Deep grooves can cause a localized section of the drum braking surface to be worn beyond the wear out limit.</p>	<p>C2.                      Replace brake drum if beyond worn out limit.</p>
<p><b>C3. Grooves coincide with rivet holes</b>                      NO PHOTO AVAILABLE</p>	<p>C3.                      Loose rivets, bolts or foreign material collecting in rivet holes.</p>	<p>C3.                      Replace brake drum if worn beyond worn out limit.</p>







**TROUBLE-SHOOTING: BRAKE DRUM WEAR**

Problem	Cause	Solution	
<b>D. Blue or discolored brake surface</b>			
	<p>Bluing is typically caused by excessive heat from dragging brakes or brake imbalance.</p>	<p>Brake system should be checked for balance and properly adjusted slacks. Replace brake drum if heavy heat check develops.</p>	
<b>E. Scale on outside</b>			
	<p>Excessive heat</p>	<p>Check brake balance, weak or broken return springs, brake adjustment and lining. Type within vehicle combination.</p>	
<b>F. Heat Spotted or hard spots in brake surface</b>			
	<p>Highly localized heating and cooling cycles typically caused by brake drag or torque imbalance. These dark colored spots are the result of martensite forming in the cast iron braking surface.</p>	<p>Replace brake drum</p>	
<b>G. Out-of-Round</b>			
<p>G1. NO PHOTO AVAILABLE</p>	<p>G1. Balance</p>	<p>G1. Balanced drum not specified or drum was improperly handled or installed.</p>	<p>G1. Specify balanced brake drums when ordering. Review proper handling and installation procedures.</p>
<p>G2. NO PHOTO AVAILABLE</p>	<p>G2. Variation in diameter</p>	<p>G2. Heat distortion.</p>	<p>G2. Rebore brake drum within normal limits or replace. See (A2) Turning the Brake Surface.</p>
<p>G3. NO PHOTO AVAILABLE</p>	<p>G3. Concentricity</p>	<p>G3. Improper fit to pilot or improper seating on wheel or hub.</p>	<p>G3. Clean all mounting surfaces. Check for correct fit and clearance to wheel.</p>

## TROUBLE-SHOOTING: BRAKE DRUM WEAR

Problem	Cause	Solution
<b>H. Excessive Wear</b>		
NO PHOTO AVAILABLE	Abrasive material or poor quality lining	Check maximum diameter and rebore within limits or replace. See section covering Grooving.
<b>I. Grease Stained Drums</b>		
	Leaking oil seal; improper lubrication of brake components	Repair source of oil or grease leak; clean the brake drum and replace linings.
<b>J. Polished Brake Surface</b>		
<b>J1. Non-asbestos lining</b> NO PHOTO AVAILABLE	J1. Normal condition.	
<b>J2. Glazed surface</b> 	J2. Improperly cured brake lining	J2. Remove glaze with emery cloth or rebore drum within normal limits.
<b>K. Faded or diminished brake power</b>		
NO PHOTO AVAILABLE	High temperature in brake system, improperly adjusted brakes or inferior brake lining.	Check brake drum, brake lining condition, brake adjustment and brake balance. Avoid operation conditions or loads which create excessive brake temperature.
<b>L. Noise, chatter or pulsating during brake application</b>		
NO PHOTO AVAILABLE	Heat spotted drums, grease stained drums, loose brake drum, or brake components	The brake drums should be removed and checked for one or more of these conditions and the appropriate action taken to resolve the condition.



## TROUBLE-SHOOTING: COMMON BRAKE DRUM HANDLING/INSTALLATION CONCERNS

The majority of brake drums returned for warranty consideration are returned with complaints of cracks in the mounting flange or “out of round”; however, these two conditions are commonly caused during handling and installation of brake drums and NOT due to material/workmanship issues. Below is a summarized list of probable causes for both types of claims.

### Symptoms of drum mounting issues:

- A) Localized heat checking, blue/hard spots
- B) Vibration/shudder
- C) Loose wheels
- D) Indentations in mounting pilot on drum
- E) Crack(s) from pilot to mounting bolt hole(s) (see pictures below)

### Typical Crack on Mounting Flange of Brake Drums



### Reasons for cracked brake drums:

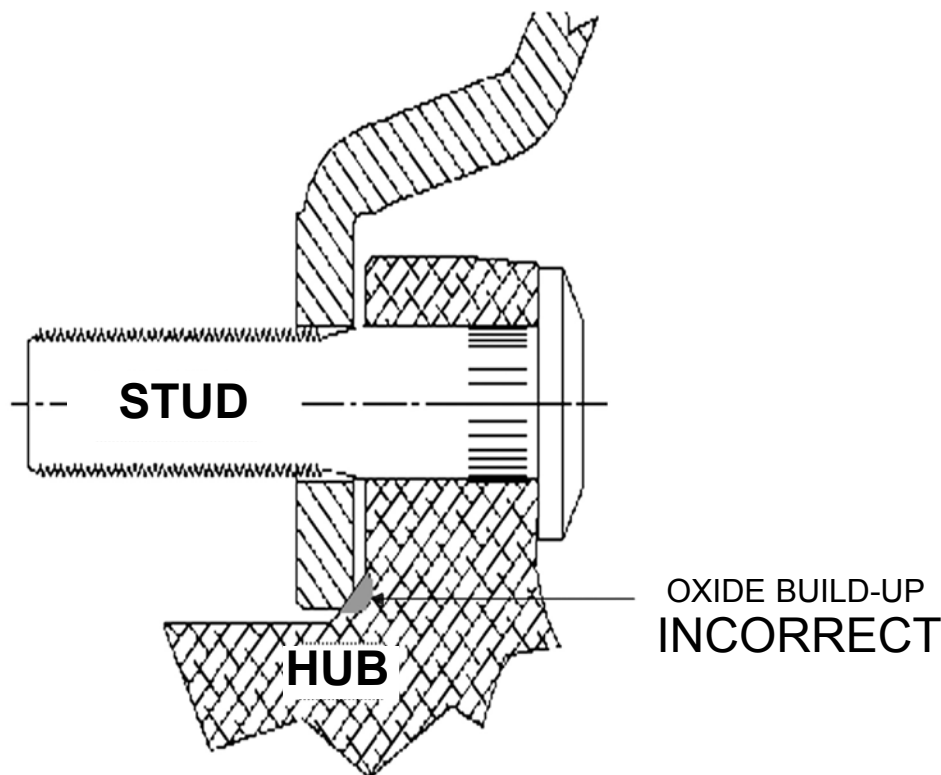
- A) Mating surfaces not clean**
  - 1. Debris in hub pilot radius
  - 2. Debris on drum/hub mounting flange surface
  - 3. Galvanic corrosion in aluminum hub pilot radius (see page 85)
- B) Improper installation**
  - 1. Drum not centered on hub pilots
  - 2. Drum allowed to slip off hub pilot (see picture)
- C) Drum being installed on hub with incorrect pilot diameter**
- D) Incorrect storage and/or handling**
  - 1. Dropped or roughly handled brake drum
  - 2. Storing drum on its side



**TROUBLE-SHOOTING: CRACKED BRAKE DRUMS ON ALUMINUM HUBS**

Corrosion can form on aluminum hubs at the brake drum pilot. This will look like a machined chamfer between the pilot diameter and the flange. This corrosion can crack the replacement brake drum and lead to complete brake drum failure.

This corrosion **MUST** be completely removed prior to installing the replacement brake drum. Remove this corrosion by chipping it with a tool, then clean with a wire brush. Be careful not to damage the aluminum hub when removing the corrosion.



**NOTE:** Although this information covers aluminum hubs, the same procedures should be followed on all hubs when brake drums are being replaced.

Failure to completely remove the corrosion will prevent the replacement brake drum from contacting the hub flange. When the wheel nuts are tightened, the brake drum can crack. If the crack is not detected, the brake drum can fail.

Additional information on proper installation and maintenance of brake drums can be found in our Installation and Maintenance Manual. Copies of this manual can be obtained at no charge by contacting Webb.

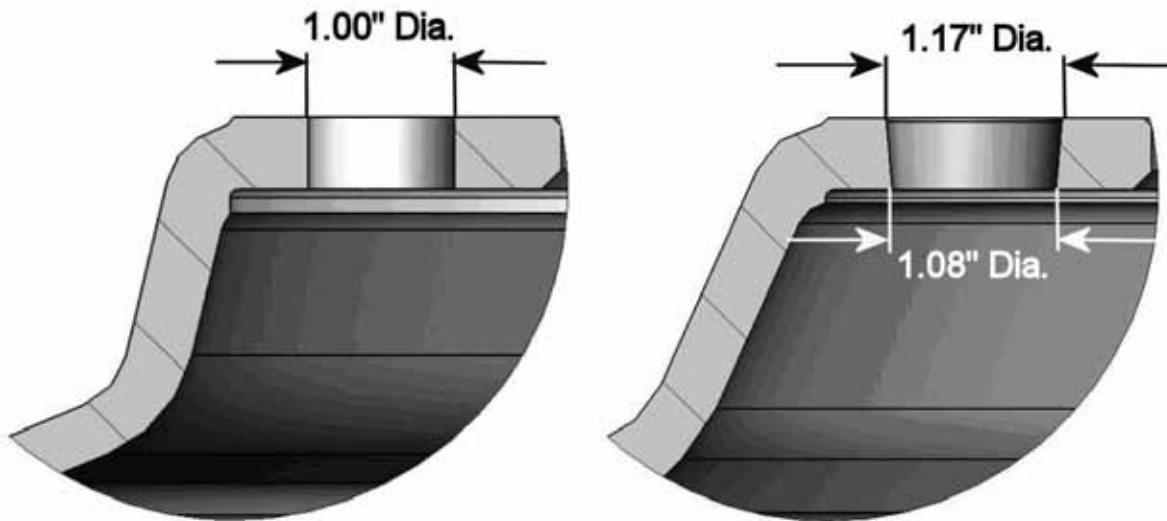


## TROUBLE-SHOOTING: CAST-IN VS. DRILLED BOLT HOLES

Webb Wheel Products has recently added cast-in drum holes to a limited number of brake drum part numbers. Currently, the drilled bolt hole size for standard hub piloted applications is 1.0" while the as-cast bolt hole is approximately 1.17" in diameter.

The slightly larger bolt hole feature size does not affect the fit, form, or function of the brake drum and only serves as a clearance hole for the wheel stud. The brake drum is centered onto the hub using the 8.78" machined pilot and the bolt holes serve no piloting function at all. When wheel nuts are properly tightened, each wheel stud delivers approximately 20,000-40,000 pounds of tension into the bolted joint. The slightly larger hole size has no effect on the bolted joint's clamp load and will not allow the drum to move in the radial direction under braking or acceleration loading.

If you have any questions regarding cast-in wheel bolt holes, please feel free to call Webb's Technical Support department.



**Standard Drilled Holes**

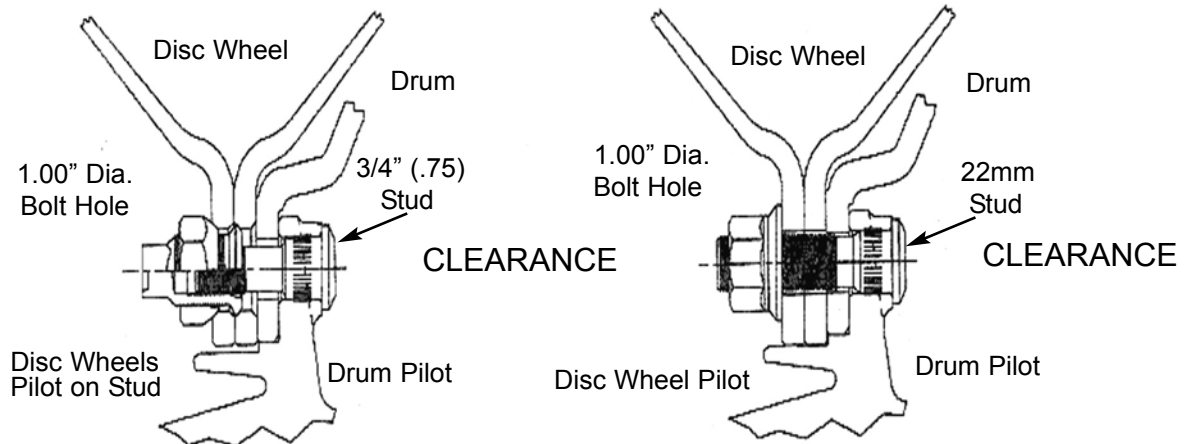
**As-Cast Holes**

## TROUBLE-SHOOTING: BRAKE DRUM BOLT (MOUNTING) HOLES SIZES

This information is offered to eliminate concern regarding the hole sizes furnished in Webb outboard mounted brake drums. These drums are those used in standard stud piloted or hub piloted disc wheel applications.

Webb has elected to use a larger hole diameter on selected brake drums to provide interchangeability across various applications and minimize the number of service part numbers necessary for aftermarket replacement. This has resulted in additional clearance being present when a larger hole is used in conjunction with a smaller diameter wheel stud.

### EXAMPLE: 66884F BRAKE DRUM AS USED IN STUD PILOTED AND HUB PILOTED DISC WHEEL APPLICATIONS



This additional clearance, when noticed, has caused some to reach the misconception that the brake drum will not pilot properly or that there will not be sufficient surface area to achieve proper clamp load.

As indicated in the above drawings, the drum pilot on the drum mounting flange is the functional pilot which centers the brake drum relative to the axle centerline. The clearance between the stud and the stud hole **does not** affect piloting.

However, should you have any questions regarding this information, please feel free to contact our Sales or Engineering Department.





## OBSOLETE HUBS/SPOKE WHEELS

Webb Part Number	Replacement Info
025	No Replacement
275	No Replacement
313	No Replacement
320	Use 8520
322	Use 8522
400	Use 8520 (Not for 10" Brake)
422	Use 8522
550	Use 8520
555	Use 8522
625	No Replacement
900	No Replacement
960	No Replacement
1000	Use 1020 <sup>3</sup> or 2023 <sup>3</sup>
1002	Use 1001
1005	Use 2540/2542 (Call Tech Service prior to ordering)
1025	2545 Assy Only
1029	Use 1020
1031	No Replacement
1032	No Replacement
1052	Use 1051
1057	Use 1056
1082	No Replacement
1099	Use 4023 <sup>3</sup>
1220	Use 1221 <sup>3</sup>

Webb Part Number	Replacement Info
1222	Use 1221
1252	No Replacement
1256	No Replacement
1257	No Replacement
1300	Use 1320 <sup>3</sup>
1305	No Replacement
1327	Use 2343 <sup>3</sup>
1329	Use 2323
1332	Use 1331 <sup>3</sup>
1401	Use 2401 <sup>3</sup>
1411	Use 2401 <sup>3</sup>
1431	Use 2431 <sup>3</sup>
1432	Use 2431 <sup>3</sup>
1510	No Replacement
1520	Use 1521 <sup>3</sup> or 2520 <sup>3</sup>
1523	Use 1521 <sup>3</sup> or 2520 <sup>3</sup>
1528	Use 1521
1539	Use 1530 (Cast Drum) or 4530 (Alum) <sup>3</sup>
1609	No Replacement
1621	Use 2643 <sup>3</sup>
1622	Use 2643 <sup>3</sup>
1623	Use 2643 <sup>3</sup>
1699	No Replacement
1710	Use 1221 <sup>3</sup>

Webb Part Number	Replacement Info
1810	Use 1221 <sup>3</sup>
1820	No Replacement
1910	Use 1221 <sup>3</sup>
1923	Use 1521
1980	Use 1001 <sup>3</sup>
2020	Use 2023 <sup>3</sup>
2021	Use 4023 <sup>3</sup>
2024	No Replacement
2025	No Replacement
2029	No Replacement
2033	No Replacement
2091	Use 4023
2320	Use 2323 <sup>3</sup>
2321	Use 4343
2324	No Replacement
2329	No Replacement
2333	No Replacement
2341	Use 4343
2349	No Replacement
2391	Use 4343
2397	No Replacement
2398	Use 2348
2433	No Replacement
2510	No Replacement

<sup>3</sup>Assembly Only.

# OBSOLETE HUBS/SPOKE WHEELS



Webb Part Number	Replacement Info
2518	No Replacement
2521	Use 4520 Alum
2523	Use 2520
2528	Use 2526
2543	No Replacement
2613	Use 2614
2617	No Replacement
2620	Use 2643 <sup>3</sup>
2621	Use 4643 <sup>3</sup>
2628	No Replacement
2629	No Replacement
2641	No Replacement
2648	No Replacement
2649	No Replacement
2672	Use 2653 (Non-ABS Only)
2691	Use 4643
2692	Use 4656
2699	No Replacement
3008	Use 3560
3012	No Replacement
3020	Use 3560
3022	Use 3562
3525	No Replacement
3550	Use 3560

Webb Part Number	Replacement Info
3620	Use 3560
3650	Use 3560
3660	Use 3560 (Non-ABS Only)
3901	No Replacement
5380	Use 5580
5382	Use 5682 - See Service Bulletin # 107
5520	No Replacement
5522	No Replacement
5582	Use 5682 - See Service Bulletin # 107
5680	Use 5580
5682	See Service Bulletin # 107
6313	No Replacement
6315	Use 1251 Call Tech Service prior to ordering
6316	Use 1251 Call Tech Service prior to ordering
6320	Use 8520
6321	Use 8520
6322	Use 8522
6323	Use 8522
6370	Use 7520
6375	No Replacement
6520	Use 8520
6522	Use 8522
6580	Use 7520

Webb Part Number	Replacement Info
6582	Use 7622
6715	Use 7015 (Svc Assy Only)
6716	Use 7015 (Svc Assy Only)
6720	Use 7520
6721	Use 7520
6722	Use 7622
6723	Use 7622
7000	Use 7015 <sup>3</sup>
7315	Use 7015
7320	Use 7520
7322	Use 7622
7510	Use 7520 (with 3350 Rim Clamp)
7511	No Replacement
7522	Use 7622
7620	Use 7520
8315	Use 1251 Call Tech Service prior to ordering
8320	Use 8520
8322	Use 8522
9562	No Replacement
9661	No Replacement
9662	No Replacement
9760	Use 2540 Call Tech Service prior ro ordering
9762	No Replacement

<sup>3</sup>Assembly Only.



## HUB SECTION AXLE GROUPS

Webb Axle Group	Outer Bearing		Inner Bearing	
	Cup	Cone	Cup	Cone
Group 1	HM212011	HM212049	653	663 OR 665A
Group 2	HM212011	HM212049	HM218210	HM218248
Group 4	HM518410	HM518445	HM518410	HM518445
Group 7	742	740	752	759
Group 11	3720	3782	HM212011	HM212047 OR HM212049 OR HM212049X
Group 12	552A	555S	6420	6461A
Group 14	25820	25877	JM207010	JM207049A
Group 21	572	580	592A	598A OR 594A
Group 22	39520	39590	47620	47686
Group 23	572	580	592A	598A OR 594A
Group 24	742	749	772	782
Group 26	JLM506810	JLM506849	39520	39590
Group 27	25820	25877	JM207010	JM207049A
Group 28	39520	39585	33462	33287
Group 29	3920	3982	33462	33287



## HUB SECTION

Axle Group	Base Hub and Description							
	Options Available	Mount Type	Disc Wheel	Drum Type	Wheel Stud	Stud Standout	ABS Ring	Drums Available
2	<b>1001</b>							
	10019--N	BSN	N/A				ABS Not Available	64467F, 62200F, 68981F, 67205F
	10019--ML	BSN	Steel/Alum (D)	IB	139913	1.33		
	10019--MR	BSN	Steel/Alum (D)	IB	139902	1.33		
2	<b>1006</b>							
	10069--NT	BSN	N/A				51554	64468F, 66096F, 62200F
2	<b>1020</b>							
	10209--NT	BSN	N/A				51554	61571F, 66853B, 66893F, 66815F, 66812F
	10209--MLT	BSN	Steel/Alum (D)	OB	159183	1.36		
	10209--MRT	BSN	Steel/Alum (D)	OB	159184	1.36		
2	<b>1051</b>							
	10519--NT80	BSN	N/A				51558 <sup>1</sup>	63630F, 63631F
	10519--MLT80	BSN	Steel/Alum (D)	IB	139913	1.33		
	10519--MRT80	BSN	Steel/Alum (D)	IB	139902	1.33		
2	<b>1056</b>							
	10569--NT80	BSN	N/A				51558 <sup>1</sup>	63634F, 63635F
	10569--MLT80	BSN	Steel/Alum (D)	IB	139913	1.33		
	10569--MRT80	BSN	Steel/Alum (D)	IB	139902	1.33		
1	<b>1221</b>							
	12213--N	BSN	N/A				ABS Not Available	64467F, 62200F, 68891F, 67205F
	12213--ML	BSN	Steel/Alum (D)	IB	139913	1.33		
	12213--MR	BSN	Steel/Alum (D)	IB	139902	1.33		
1	<b>1251</b>							
	12513--ML	BSN	Steel (D)	IB	139913	1.33	51558	63630F, 63631F
	12513--MR	BSN	Steel (D)	IB	139902	1.33		
4	<b>1320</b>							
	1320Z--NT	BSN	N/A				51554 <sup>1</sup>	61571F, 66853B, 66893F, 66815F, 66812F
	1320Z--MLT	BSN	Steel/Alum (D)	OB	159183	1.86		
	1320Z--MRT	BSN	Steel/Alum (D)	OB	159184	1.86		
4	<b>1331</b>							
	1331Z--NT	BSN	N/A				51554	68730F, 68927F
11	<b>1521</b>							
	1521F--NT	BSN	N/A				51053	65541B, 65551B, 65651B, 65167B, 65169B
	1521F--PLT	BSN	Steel/Alum (D)	OB	100181	2.50		
	1521F--PRT	BSN	Steel/Alum (D)	OB	100170	2.50		

**Coding:**

BSN=Ball Seat Mount FN=Pilot Mount (D)=Dual (S)=Single IB=Inboard OB=Outboard N/A=Not Applicable

\*\*Will become obsolete when current inventory is depleted. Call for availability - if purchased, parts are non-returnable.

<sup>1</sup> Hub has been offered as either direct machined ABS or machined for ABS ring. A hub with direct machined ABS will not accept an ABS ring. Before ordering a replacement ABS ring, ensure that your hub was machined to accept one.



## HUB SECTION

Axle Group	Base Hub and Description							
	Options Available	Mount Type	Disc Wheel	Drum Type	Wheel Stud	Stud Standout	ABS Ring	Drums Available
<b>1530</b>								
12	1530G--NT	BSN	N/A			51048	65166B, 66862B	
	1530G--PLT	BSN	Steel/Alum (S)	OB	100181			2.37
	1530G--PRT	BSN	Steel/Alum (s)	OB	100170			2.37
<b>1540</b>								
2	15401--NT	BSN	N/A			51048	65551B, 65157B, 65651B, 65167B, 65169B	
	15401--PL	BSN	Steel/Alum (S)	OB	100181			2.37
	15401--PR	BSN	Steel/Alum (S)	OB	100170			2.37
<b>1550</b>								
14	15501--N	BSN	N/A			N/A	54770P-65	
	15501--ML	BSN	Steel/Alum (S)	Rotor	159191			1.38
	15501--MR	BSN	Steel/Alum (S)		159190			1.38
<b>2023</b>								
2	20231--0T	BSN or FN	N/A			51554 <sup>1</sup>	61577F, 68985F, 66800F, 66864F, 66884F, 66814F, 66854F, 66871B	
	20231--3T	FN	Steel (D)	OB	101162			3.03
	20231--5T	FN	Aluminum (D)	OB	101160			3.94
	20231--MLT	BSN	Steel/Alum (D)	OB	101173			1.88
	20231--MRT	BSN	Steel/Alum (D)	OB	101172			1.88
<b>2027</b>								
2	20271--0T80	FN	N/A			51558 <sup>1</sup>	63680F	
	20271--3T80	FN	Steel (D)	OB	101162			3.03
	20271--5T80	FN	Aluminum (D)	OB	101160			3.94
<b>2028</b>								
2	20281--0T	FN	N/A			51554 <sup>1</sup>	61576F, 61989F, 61999F 66875F, 66816F	
	20281--3T	FN	Steel (D)	OB	101162			3.03
	20281--5T	FN	Aluminum (D)	OB	101160			3.94
<b>2323 (Threaded Hub Cap)</b>								
4	23231--0T	BSN or FN	N/A			51554 <sup>1</sup>	61577F, 68985F, 66800F, 66864F, 66884F, 66814F, 66854F, 66871B	
	23231--3T	FN	Steel (D)	OB	101162			3.03
	23231--5T	FN	Aluminum (D)	OB	101160			3.94
	23231--MLT	BSN	Steel/Alum (D)	OB	101173			1.88
	23231--MRT	BSN	Steel/Alum (D)	OB	101172			1.88

**Coding:**

BSN=Ball Seat Mount FN=Pilot Mount (D)=Dual (S)=Single IB=Inboard OB=Outboard N/A=Not Applicable

\*\*Will become obsolete when current inventory is depleted. Call for availability - if purchased, parts are non-returnable.

<sup>1</sup> Hub has been offered as either direct machined ABS or machined for ABS ring. A hub with direct machined ABS will not accept an ABS ring. Before ordering a replacement ABS ring, ensure that your hub was machined to accept one.



HUB SECTION								
Axle Group	Base Hub and Description							
	Options Available	Mount Type	Disc Wheel	Drum Type	Wheel Stud	Stud Standout	ABS Ring	Drums Available
4	<b>2343 (Bolt On Hub Cap)</b>							
	23431--0T	BSN or FN	N/A			51554 <sup>1</sup>	61577F, 68985F, 66800F, 66864F, 66884F, 66814F, 66854F, 66871B	
	23431--3T	FN	Steel (D)	OB	101162			3.03
	23431--5T	FN	Aluminum (D)	OB	101160			3.94
	23431--MLT	BSN	Steel/Alum (D)	OB	101171			1.88
23431--MRT	BSN	Steel/Alum (D)	OB	101170	1.88			
4	<b>2347</b>							
	23471--0T80	FN	N/A			51558 <sup>1</sup>	63680F	
	23471--3T80	FN	Steel (D)	OB	101162			3.21
23471--5T80	FN	Aluminum (D)	OB	101160	4.12			
4	<b>2348</b>							
	23481--0T	FN	N/A				51554 <sup>1</sup>	66875F, 66816F, 68797F
	23481--3T	FN	Steel (D)	OB	101162	3.21		
23481--5T	FN	Aluminum (D)	OB	101160	4.12			
7	<b>2401</b>							
	24011--0T	BSN or FN	N/A			50704	66884F, 66661F, 66800F, 66814F, 66854F, 66871B	
	24011--3T	FN	Steel (D)	OB	101162			3.03
	24011--5T	FN	Aluminum (D)	OB	101160			3.94
	24011--MLT	BSN	Steel/Alum (D)	OB	101173			1.88
24011--MRT	BSN	Steel/Alum (D)	OB	101172	1.88			
11	<b>2520</b>							
	25201--0T	BSN or FN	N/A			51053	65545B, 65153B, 61950B, 65163B, 65179B	
	25201--1T	FN	Steel (S)	OB	101164			2.74
	25201--3T	FN	Aluminum (S)	OB	101162			3.19
	25201--PLT	BSN	Steel/Alum (S)	OB	101175			2.24
25201--PRT	BSN	Steel/Alum (S)	OB	101174	2.24			
11	<b>2524</b>							
	25241--0T	BSN	N/A			51053	65548B, 65154B, 65182B, 65172B	
	25241--PLT	BSN	Steel/Alum (S)	OB	100181			2.65
25241--PRT	BSN	Steel/Alum (S)	OB	100170	2.65			
11	<b>2526</b>							
	25261--0T	FN	N/A			51053	65543B, 61958B	
	25261--1T	FN	Steel (S)	OB	101164			2.76
25261--3T	FN	Aluminum (S)	OB	101162	3.21			

**Coding:**

BSN=Ball Seat Mount FN=Pilot Mount (D)=Dual (S)=Single IB=Inboard OB=Outboard N/A=Not Applicable

\*\*\*Will become obsolete when current inventory is depleted. Call for availability - if purchased, parts are non-returnable.

<sup>1</sup> Hub has been offered as either direct machined ABS or machined for ABS ring. A hub with direct machined ABS will not accept an ABS ring. Before ordering a replacement ABS ring, ensure that your hub was machined to accept one.





## HUB SECTION

Axle Group	Base Hub and Description							
	Options Available	Mount Type	Disc Wheel	Drum Type	Wheel Stud	Stud Standout	ABS Ring	Drums Available
12	<b>2530</b>							
	25301--0	BSN or FN	N/A				51048	65545B, 65162B, 65170B, 66826B, 66864B
	25301--0T	BSN or FN	N/A					
	25301--1T	FN	Steel (S)	OB	101164	2.58		
	25301--3T	FN	Aluminum (S)	OB	101162	3.03		
	25301--PLT	BSN	Steel (S)	OB	101175	2.24		
25301--PRT	BSN	Steel (S)	OB	101174	2.24			
12	<b>2533</b>							
	25331--0T	FN	N/A				51048	66366B, 66663B
	25331--1T	FN	Steel (S)	OB	101164	2.58		
25331--3T	FN	Aluminum (S)	OB	101162	3.03			
2	<b>2540</b>							
	25401--0	BSN or FN	N/A				51048	65654B, 65162B, 65170B, 66864B
	25401--0T	BSN or FN	N/A					
	25401--1T	FN	Steel (S)	OB	101164	2.58		
	25401--3T	FN	Aluminum (S)	OB	101162	3.03		
	25401--PLT	BSN	Steel (S)	OB	101175	2.24		
25401--PRT	BSN	Steel (S)	OB	101174	2.24			
14	<b>2550</b>							
	25501--0	FN	N/A				N/A	54770P-65
25501--3	FN	Aluminum (S)	Rotor	101191	2.11			
26	<b>2605</b>							
	26051--0	FN	N/A				N/A	54770P-65
	26051--3	FN	Steel (D)	Rotor	101162	2.90		
26051--5	FN	Aluminum (D)		101160	3.81			
28	<b>2606</b>							
	26061--0	FN	N/A				N/A	54770P-65
	26061--3	FN	Steel (D)	Rotor	101162	2.90		
26061--5	FN	Aluminum (D)		101160	3.81			
29	<b>2608</b>							
	26081--0T	FN	N/A				Direct Machined ABS 51296 <sup>1</sup>	66830B, 61989B
	26081--3T	FN	Steel (D)	OB	101162	2.90		
26081--5T	FN	Aluminum (D)	OB	101160	3.81			

**Coding:**

BSN=Ball Seat Mount FN=Pilot Mount (D)=Dual (S)=Single IB=Inboard OB=Outboard N/A=Not Applicable

\*\*Will become obsolete when current inventory is depleted. Call for availability - if purchased, parts are non-returnable.

<sup>1</sup> Hub has been offered as either direct machined ABS or machined for ABS ring. A hub with direct machined ABS will not accept an ABS ring. Before ordering a replacement ABS ring, ensure that your hub was machined to accept one.



HUB SECTION								
Axle Group	Base Hub and Description							
	Options Available	Mount Type	Disc Wheel	Drum Type	Wheel Stud	Stud Standout	ABS Ring	Drums Available
22	<b>2614</b>							
	26141--0T	BSN or FN	N/A			51048	61577B, 61988B, 61991B, 66864B, 66884B, 66800B, 66814B, 66854B	
	26141--3T	FN	Steel (D)	OB	101162			3.03
	26141--5T	FN	Aluminum (D)	OB	101160			3.94
	26141--MLT	BSN	Steel/Alum (D)	OB	101173			1.88
	26141--MRT	BSN	Steel/Alum (D)	OB	101172			1.88
22	<b>2618</b>							
	26181--0T	FN	N/A			51048	61567B, 61989B, 66875B	
	26181--3T	FN	Steel (D)	OB	101162			3.21
	26181--5T	FN	Aluminum (D)	OB	101160			4.12
23	<b>2633</b>							
	26331--0T	FN	N/A			51294	66250B, 64053B, 66258B	
	26331--3T	FN	Steel (D)	OB	101162			3.03
	26331--5T	FN	Aluminum (D)	OB	101160			3.94
21	<b>2635</b>							
	26351--0T	FN	N/A			51294	66250B, 64053B, 66258B	
	26351--3T	FN	Steel (D)	OB	101162			3.03
	26351--5T	FN	Aluminum (D)	OB	101160			3.94
23	<b>2636</b>							
	26361--0T	FN	N/A			51294	66250B, 64053B, 66258B	
	26361--3T	FN	Steel (D)	OB	101162			3.03
	26361--5T	FN	Aluminum (D)	OB	101160			3.94
21	<b>2643</b>							
	26431--0T	BSN or FN	N/A			51294 <sup>1</sup>	61577B, 61988B, 61991B, 66661B, 66864B, 66884B, 66800B, 66814B, 66854B, 66871B	
	26431--3T	FN	Steel (D)	OB	101162			3.15
	26431--5T	FN	Aluminum (D)	OB	101160			4.06
	26431--MLT	BSN	Steel/Alum (D)	OB	101177			1.94
	26431--MRT	BSN	Steel/Alum (D)	OB	101176			1.94
23	<b>2653</b>							
	26531--0T	BSN or FN	N/A			51294 <sup>1</sup>	61577B, 61988B, 61991B, 66661B, 66864B, 66884B, 66800B, 66814B, 66854B, 66871B	
	26531--3T	FN	Steel (D)	OB	101162			3.03
	26531--5T	FN	Aluminum (D)	OB	101160			3.94
	26531--MLT	BSN	Steel/Alum (D)	OB	101173			1.88
	26531--MRT	BSN	Steel/Alum (D)	OB	101172			1.88

**Coding:**

BSN=Ball Seat Mount FN=Pilot Mount (D)=Dual (S)=Single IB=Inboard OB=Outboard N/A=Not Applicable

\*\*\*Will become obsolete when current inventory is depleted. Call for availability - if purchased, parts are non-returnable.

<sup>1</sup> Hub has been offered as either direct machined ABS or machined for ABS ring. A hub with direct machined ABS will not accept an ABS ring. Before ordering a replacement ABS ring, ensure that your hub was machined to accept one.



## HUB SECTION

Axle Group	Base Hub and Description							
	Options Available	Mount Type	Disc Wheel	Drum Type	Wheel Stud	Stud Standout	ABS Ring	Drums Available
23	<b>2656</b>							
	26561--0T	BSN or FN	N/A				51294 <sup>1</sup>	61577B, 61988B, 61991B, 66661B, 66864B, 66884B, 66800B, 66814B, 66854B, 66871B
	26561--3T	FN	Steel (D)	OB	101162	3.03		
	26561--5T	FN	Aluminum (D)	OB	101160	3.94		
	26561--MLT	BSN	Steel/Alum (D)	OB	101173	1.88		
	26561--MRT	BSN	Steel/Alum (D)	OB	101172	1.88		
24	<b>2723</b>							
	27231--3T	FN	Steel (D)	OB	101162	3.03	51056	66661B, 66800B, 66814B, 66854B, 66871B, 66665B
	27231--5T	FN	Aluminum (D)	OB	101160	3.94		
	27231--MLT	BSN	Steel/Alum (D)	OB	101173	1.88		
	27231--MRT	BSN	Steel/Alum (D)	OB	101172	1.88		
<b>2760</b>								
	27601--NT-71	FN	N/A				51825	

**Coding:**

BSN=Ball Seat Mount FN=Pilot Mount (D)=Dual (S)=Single IB=Inboard OB=Outboard N/A=Not Applicable

\*\*Will become obsolete when current inventory is depleted. Call for availability - if purchased, parts are non-returnable.

<sup>1</sup> Hub has been offered as either direct machined ABS or machined for ABS ring. A hub with direct machined ABS will not accept an ABS ring. Before ordering a replacement ABS ring, ensure that your hub was machined to accept one.



## ALUMINUM HUB SECTION

Axle Group	Base Hub and Description							
	Options Available	Mount Type	Disc Wheel	Drum Type	Wheel Stud	Stud Standout	ABS Ring	Drums Available
2	<b>4023</b>							
	40235--3T-71	FN	Steel (D)	OB	101162	3.03	51554	61577F, 68985F, 66800F, 66864F, 66884F, 66814F, 6854F, 66871B
	40235--5T-71	FN	Aluminum (D)	OB	101160	3.94		
4	<b>4343</b>							
	43435--3T-71	FN	Steel (D)	OB	101162	2.90	51554	61577F, 68985F, 66800F, 66864F, 66884F, 66814F, 66854F, 66871B
	43435--5T-71	FN	Aluminum (D)	OB	101160	3.81		
21	<b>4643</b>							
	46435--3T-71	FN	Steel (D)	OB	101199	3.06	51294	61577B, 61988B, 61991B, 66661B, 66864B, 66884B, 66800B, 66814B, 66854B, 66871B
	46435--5T-71	FN	Aluminum (D)	OB	101198	4.02		

**Coding:**

BSN=Ball Seat Mount FN=Pilot Mount (D)=Dual (S)=Single IB=Inboard OB=Outboard N/A=Not Applicable

\*\*Will become obsolete when current inventory is depleted. Call for availability - if purchased, parts are non-returnable.



## SPOKE WHEEL SECTION

Axle Group	Base Spoke Wheel and Description							
	Options Available	Mount Type	Disc Wheel	Drum Type	Wheel Stud	Stud Standout	ABS Ring	Drums Available
21	<b>3560</b>							
	35607--AT 35607--HT	Spoke	Demountable Rim	IB	N/A	N/A	51294	61600B**, 68981B
21	<b>3562**</b>							
	35627--A** 35627--HT**	Spoke	Demountable Rim	IB	N/A	N/A	51294	61600B**, 68981B, 61853B
4	<b>5580</b>							
	5580Z--AT 5580Z--HT	Spoke	Demountable Rim	IB	N/A	N/A	51554	68730F, 68927F
4	<b>5682**</b>							
	5682Z--A** 5682Z--HT**	Spoke	Demountable Rim	IB	N/A	N/A	51554	68765F, 68931F
2	<b>7015</b>							
	70159--AT 70159--HT	Spoke	Demountable Rim	IB	N/A	N/A	51558	62358F, 63617F, 63647F
2	<b>7520</b>							
	75209--AT 75209--HT	Spoke	Demountable Rim	IB	N/A	N/A	51554	63447F, 67518F, 68946F, 63410F
2	<b>7622</b>							
	76229--AT 76229--HT	Spoke	Demountable Rim	IB	N/A	N/A	51554	63447F, 67518F, 68946F, 63410F
1	<b>8520</b>							
	85203--A	Spoke	Demountable Rim	IB	N/A	N/A	N/A	63447F, 67518F, 68946F, 63410F
1	<b>8522**</b>							
	85223--A**	Spoke	Demountable Rim	IB	N/A	N/A	N/A	63447F, 67518F, 68946F, 63410F
12	<b>9660**</b>							
	9660G--HT**	Spoke	Demountable Rim	IB	N/A	N/A	51048	65256B, 68970B, 65266B

**Coding:**

BSN=Ball Seat Mount FN=Pilot Mount (D)=Dual (S)=Single IB=Inboard OB=Outboard N/A=Not Applicable

\*\*Will become obsolete when current inventory is depleted. Call for availability - if purchased, parts are non-returnable.

## COMPONENTS

### Hub Cap Kits

	Hub Cap Kit Part Number	Hub Cap Kit Contents (See Individual Part Number Listings for Individual Specifications)			
		Hub Cap	Gasket	Cap Screw	Washer
	73655 (5.5 Bolt Circle 6 Holes)	70655	72655	83150	103

### Drum Bolt Kits

Drum Bolt Kit Part Number	Drum Bolt Kit Contents (See Individual Part Number Listings for Individual Specifications)					
	Cap Screw	Qty	Flat Washer	Qty	Lock Nut	Qty
90305	87521	5	257	5	75710	5
90306	87521	6	257	6	75710	6
90320	86222	6	256	6	75618	6

### Rim Clamps

	Part Number	(A) Dim	(B) Dim	(C) Dim	(D) Stud Dim	(E) Dim
	<b>For 3 Spoke Wheels (Clamps For 15" Wheels)</b>					
	3314	1.13	7.62	1.82	0.75	4.50
	<b>For 5 &amp; 6 Spoke Wheels (Single Tire Applications)</b>					
	3350	5.77	3.31	2.15	0.75	
	<b>For 5 &amp; 6 Spoke Wheels</b>					
	16123	1.01	2.88	2.38	0.75	
	16129	1.27	2.88	2.41	0.75	





## COMPONENTS

### Rim Clamps (Continued)

	Part Number	(A) Dim	(B) Dim	(C) Dim	(D) Stud Dim
	<b>For Single Tire Spoke Wheels</b>				
	16177 For 8.0 Max Rims	0.40	2.63	2.72	0.75

### Studs

	<b>Drive Studs</b>					
	Part Number	(A)	Nut End		Wheel/Hub End	
			Thread	(B) Thread Length	Thread	(C) Thread Length
	152030	3.00	1/2"-20	1.00	1/2"-13	1.00
	156226	2.62	9/16"-18	1.12	9/16"-12	0.81
161832	3.50	5/8"-18	1.34	5/8"-11	1.00	
175032	3.25	3/4"-16	1.25	3/4"-10	1.12	
	<b>Rim Studs</b>					
	Part Number	(A)	(B) Nut End	(C) Wheel End	Thread	
	171027	3.00	1.83	0.97	3/4"-10	
	171028	3.31	1.93	0.97	3/4"-10	

	<b>Shoulder Studs</b>									
	Part Number	Color	(A)	(B)	(C)	(D)	(E)	(F)	(G) Thread	(H) Thread
	139902 (RH)	Black	4.00	0.78	2.47	1.06	1.34	1.08	3/4"-16	3/4"-16
	139913 (LH)	Green	4.00	0.78	2.47	1.06	1.34	1.08	3/4"-16	3/4"-16
183101 (LH)**	Green	4.88	0.78	3.34	1.88	1.35	1.09	3/4"-16	3/4"-16	

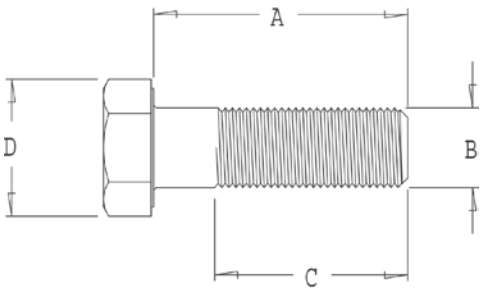
# COMPONENTS

Studs (Continued)									
	Part Number	Color	(A)	(B)	(C)	(D)	(E)	(F) Thread	
	<b>3/4" - 16 Serrated Studs</b>								
	101170 (RH)	Silver	2.60	0.97	0.81	0.25	1.12	3/4"-16	
	101171 (LH)	Yellow	2.60	0.97	0.81	0.25	1.12	3/4"-16	
	101172 (RH)	Black	2.91	0.97	0.81	0.25	1.12	3/4"-16	
	101173 (LH)	Green	2.91	0.97	0.81	0.25	1.12	3/4"-16	
	101174 (RH)	Silver	3.21	0.97	0.81	0.25	1.61	3/4"-16	
	101175 (LH)	Yellow	3.21	0.97	0.81	0.25	1.61	3/4"-16	
	101178 (RH)	Black	3.35	0.97	0.81	0.25	1.87	3/4"-16	
	101179 (LH)	Green	3.35	0.97	0.81	0.25	1.87	3/4"-16	
	159183 (LH)	Green	2.96	0.78	1.40	0.56	1.06	3/4"-16	
	159184 (RH)	Black	2.96	0.78	1.40	0.56	1.06	3/4"-16	
	159190 (RH)	Black	2.38	0.78	0.88	0.25	1.06	3/4"-16	
	159191 (LH)	Green	2.38	0.78	0.88	0.25	1.06	3/4"-16	
	198521 (LH)**	Yellow	2.72	0.78	1.38	0.31	1.03	3/4"-16	
	<b>1 1/8" - 16 Serrated Studs</b>								
	100170 (RH)	Silver	3.62	1.22	1.44	0.25	1.87	1 1/8"-16	
	100181 (LH)	Yellow	3.62	1.22	1.44	0.25	1.87	1 1/8"-16	
	188108 (RH)	Silver	3.10	1.22	0.75	0.12	2.10	1 1/8"-16	
	188109 (LH)	Yellow	3.10	1.22	0.75	0.12	2.10	1 1/8"-16	
	<b>M22x1.5 Serrated Studs</b>								
	101160 (RH)	Black	4.91	0.97	0.72	0.25	3.54	M22x1.5	
	101161 (RH)	Black	4.32	0.97	0.72	0.25	3.07	M22x1.5	
	101162 (RH)	Black	4.00	0.97	0.53	0.25	2.69	M22x1.5	
	101164 (RH)	Black	3.55	0.97	0.53	0.25	2.30	M22x1.5	
	101191 (RH)	Black	2.90	0.97	0.72	0.25	1.65	M22x1.5	
	101193 (RH)	Black	3.19	0.97	0.53	0.25	1.94	M22x1.5	
	101199 (RH)	Black	4.59	0.97	0.53	0.25	3.34	M22x1.5	

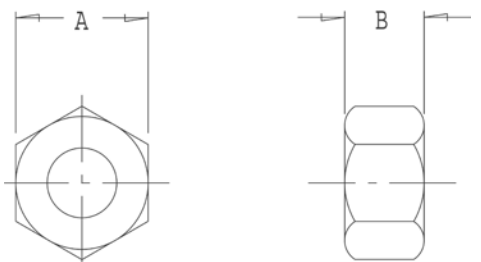


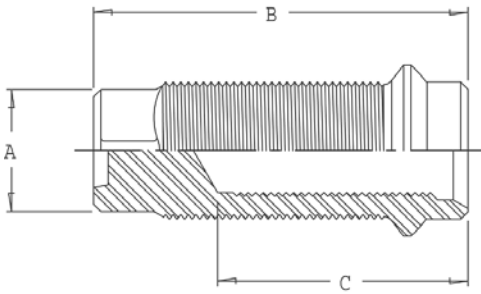
## COMPONENTS

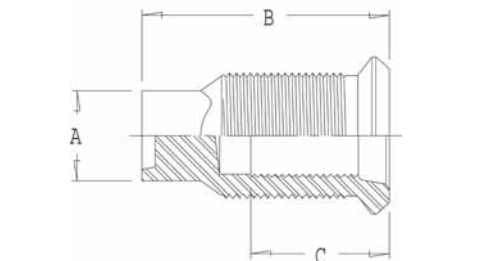
### Cap Screws

	Cap Screws				
	Part Number	(A)	(B)	(C)	(D) Across Flats
	83150	0.50	5/16"-18	0.50	0.50
	83750	0.75	3/8"-16	0.75	0.56
	85612	1.75	9/16"-12	1.45	0.81
	86222	2.00	5/8"-18	1.50	0.94
	87511 (Has Adhesive Patch)	2.25	3/4"-10	1.75	1.12
	87521	2.25	3/4"-10	1.75	1.12
	96218 (Has Adhesive Patch)	1.75	5/8"-18	1.50	0.94

### Nuts

	Rim Clamp Nuts			
	Part Number	(A) Thread	(B) Hex	(C) Height
	74710 (Flat Face)	3/4"-10	1.25	0.73

	Inner Cap Nuts (Grade 8 for Aluminum Wheels)					
	Part Number	Inner Thread	Outer Thread	(A) Square	(B) Length	(C) Inner Thread Depth
	105988 (RH)	3/4"-16	1 1/8"-16	0.81	3.06	1.88
	105989 (LH)	3/4"-16	1 1/8"-16	0.81	3.06	1.88

	Inner Cap Nuts (Grade 8 for Steel Wheels)					
	Part Number	Inner Thread	Outer Thread	(A) Square	(B) Length	(C) Inner Thread Depth
	107082 (RH)	3/4"-16	1 1/8"-16	0.81	2.24	1.25
	107083 (LH)	3/4"-16	1 1/8"-16	0.81	2.24	1.25

# COMPONENTS

Nuts (Continued)						
		Part Number	Thread Size	(A) Hex	(B) Height	Notes
		<b>Outer Cap Nuts</b>				
		178736 (RH)	3/4"-16	1.50	0.88	Standard Single Wheel Nut
		178737 (LH)	3/4"-16	1.50	0.88	
		178910 (RH)	1 1/8"-16	1.50	0.88	For Dual or Single Wheels
		178921 (LH)	1 1/8"-16	1.50	0.88	
<b>Lock Nuts</b>						
		75618	5/8"-18	0.94	0.62	
		75710	3/4"-10	1.12	0.72	
		75716	3/4"-16	1.12	0.65	
<b>Flange Nuts</b>						
		179935	M22x1.5	1.30	1.22	
<b>Oil Plug</b>						
		72518	1/4"-18 NPTF Hex Socket Long Steel Plug			
		72520	9/16"-18 UNF-ZA Hex Socket O-Ring Boss Plug			

Washers						
		Part Number	(A) O.D.	(B) I.D.	(C) Thickness	
		<b>Lock Washers</b>				
		103	0.59	0.32	0.08	
		<b>Flat Washers</b>				
		256	1.31	0.66	0.09	
		257	1.38	0.81	0.09	
		259	2.26	1.26	0.13	



## COMPONENTS

### Rim Spacers



#### Rim Spacers (Cor-Chan Type)

Part Number	Size
41540	15.00 x 4.00
42040	20.00 x 4.00
42240	22.00 x 4.00



## LIMITED WARRANTY

Webb Wheel Products, Inc. (Seller) hereby warrants to the original purchaser of its products, that it will replace or repair, at its option, all products of its manufacture found to be defective in material and workmanship, without charge. This shall be Buyer's exclusive remedy for Seller's liability hereunder.

This warranty is limited to those products which fail in normal use and service because of defects in material and workmanship, with all such products being subject to inspection of material and workmanship by an authorized representative of Seller, within a reasonable period after a claim is made. Seller will not accept the return of any goods without its prior written consent.

Seller's liability to Buyer, or anyone claiming through or on behalf of Buyer, with respect to any claim or loss arising out of the products or alleged to have resulted from actual act or omission of Seller, whether negligent or otherwise, and whether in tort, contract, or otherwise, including failure to deliver, delay in delivery, or breach of warranty, shall be limited to an amount equal to the purchase price of the goods or part thereof with respect to which such liability is claimed or, where appropriate and at the option of Seller to replacement of the goods or part thereof. In no case will Seller be liable for any bodily injury, death, or property damage resulting from or in any way arising out of the products or their use or manufacture. IN NO EVENT SHALL SELLER BE LIABLE FOR INCIDENTAL OR CONSEQUENTIAL DAMAGES, LAWSUITS, OR EXPENSES ARISING OUT OF ANY SALE, CONTRACT OR TRANSACTION WITH BUYER.

Seller will not be liable for any failure or damages caused by abuse of its products, improper installation, improper application or use, fire, accidents or results thereof, improper maintenance or acts of God.

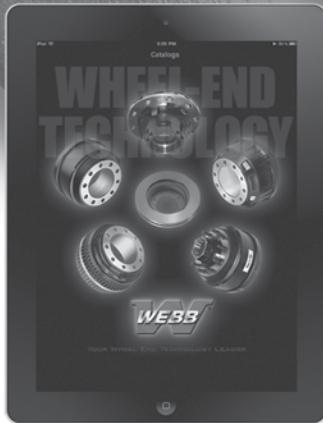
THESE ARE SELLER'S ONLY WARRANTIES. SELLER MAKES NO OTHER WARRANTY OF ANY KIND WHATSOEVER, EXPRESS OR IMPLIED. ALL IMPLIED WARRANTIES OF MERCHANTABILITY AND/OR FITNESS FOR A PARTICULAR PURPOSE ARE HEREBY DISCLAIMED BY SELLER AND EXCLUDED.





# You'll find us at the corner of Fast and Easy!

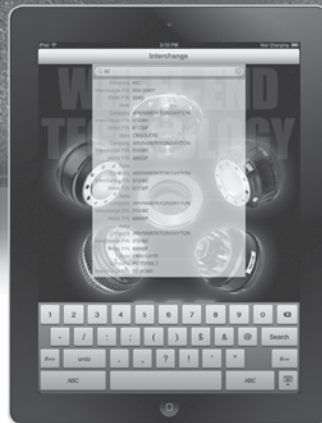
## Cut maintenance costs with the free Webb Wheel mobile app



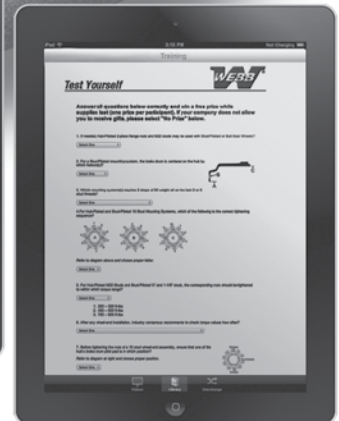
**DOCUMENT LIBRARY.** The Webb app places a wealth of product information at your fingertips. View new product bulletins, catalogs, service bulletins, and product information from one convenient source.



**TRAINING VIDEOS.** The Video section features training videos that help cut maintenance costs. Installation videos focus on proper installation techniques for Hub Pilot (FN), Stud Pilot (BSN) installations, the consequences of improper installation, and how to select the proper brake drum for your application.



**INTERCHANGE.** An extensive competitive interchange is included to allow quick and easy access to brake drum, rotor, hub, and spoke wheel information. It serves as a digital cross-reference to help you immediately find the right Webb part number for any application.



**TRAINING.** Take our online tests after viewing the videos and pdf training materials. If you pass, you will receive a certificate from Webb Wheel Products. Included is a helpful pdf file that shows the most common warranty claims for brake drums. You will learn how and why the damage occurs, and you will receive insight on how to cut maintenance costs by preventing brake drum damage.



### SUPPORT CONTACTS:

(256) 739 6660 for Customer Service  
(256) 775 7555 for App Support  
(256) 775 7514 for Technical Support

Made in the USA



Scan the QR Code below or search "webb wheel" in your app store.

Apple, iPhone, iPad, iPod touch are registered trademarks of Apple Inc. App Store is a service mark of Apple Inc. Android and Google Play are registered trademarks of Google, Inc. BlackBerry® is a registered Trademark of Research In Motion Limited. All are registered in the U.S. and other countries.

[www.webbwheel.com](http://www.webbwheel.com)

Contact your local Webb Wheel Products supplier for training that can cut your operating costs!



A Marmon Highway Technologies®/Berkshire Hathaway Company



# Webb Training Tools



Mobile Apps



Website Training Toolbox



Printed Materials



Training Videos



On-Site Training

## On-line or on the road... we take care of business.

The more you know about wheel-end technology, the greater your opportunity to cut wheel-end operating costs. That's why Webb is the industry leader for technical support and customer training.

We invest millions of dollars in R&D and manufacturing technology, and then we share what we learn with our customers by offering the best products and support in the industry. Our on-site field support team, training website, Mobile Apps (Apple, Android, and Blackberry Playbook platforms), training videos and printed materials help our customers cut and control maintenance costs.

Distribution at more than 5,000 locations ensures that the products you need are always nearby. Combine this with our ISO 9001 Registered Quality System, helpful customer service, dependable delivery and strong financial backing—and you've got a business partner you can count on today... and down the road.

Cut your maintenance costs today! Visit our training website, or scan the QR code on the bottom right to get certified. We'll send a token of our appreciation when you complete the course.



[www.webbwheel.com](http://www.webbwheel.com)

Contact your local Webb Wheel Products supplier for training that can cut your operating costs!

Scan this QR code to get certified on brake drum selection and wheel-end installation. We'll send a token of our appreciation.

